



NMEA2K Cable For AppBox System User's Guide



Notice !

Spectrum Digital, Inc (SDI) provides the enclosed product under the following conditions:

The user/customer assumes ALL responsibility and liability for the proper use, storage, and safe handling of the product. Further, the user indemnifies SDI from all claims arising from the use, installation, storage, and handling of the product. Due to the flexibility and open construction of the product, it is the user's responsibility to take all appropriate precautions with regard to powering, attachment of cables, connection to other equipment, and electrostatic discharge.

Except to the extent of the indemnity set forth above, neither party shall be liable to the other for any indirect, special, incidental, or consequential damages.

SDI assumes no liability for applications assistance, customer product design, system and software performance, or infringements of patents or services described herein.

No license is granted under any patent right or other intellectual property right of SDI covering or relating to any machines, process, software, or combination in which such SDI products or services might be or are used.

SDI currently deals with a variety of customers for products, and therefore our arrangement with the reseller, customer, or user **is not exclusive**.

Please refer to the product web page on the SDI web site for warranty period.

The warranty and return policy are described on the SDI web site.

Mailing address:

Spectrum Digital, Inc
PO Box 1559
Sugar Land, TX. 77487-1559

Web site: www.spectrumdigital.com
Sales: sales@spectrumdigital.com
Support: support@spectrumdigital.com

Copyright Spectrum Digital Inc, © 2020

519218-0001

Table of Contents

Section	Title	Page
1.0	Introduction	4
1.1	NMEA2K Cable Features	4
1.2	NMEA2K Cable Product Contents	5
1.3	NMEA2K Cable Compatibility	5
1.4	NMEA2K Cable AppBox / Distribution Box Connector	5
1.5	NMEA2K Cable CAN Device Connector	6
1.6	NMEA2K Cable Schematics	6

1.0 Introduction

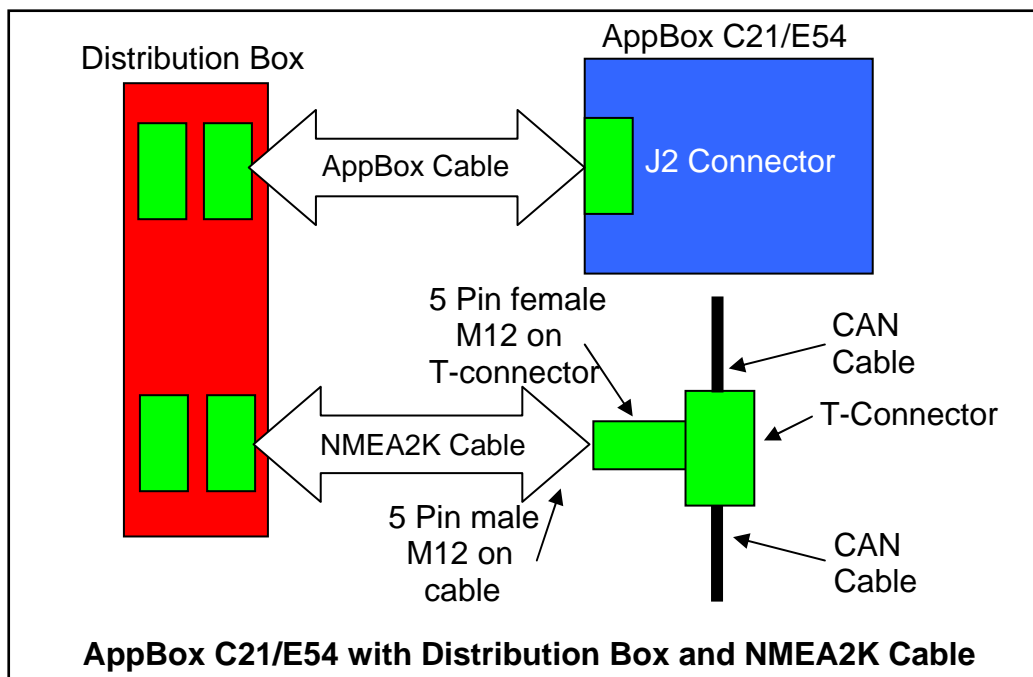
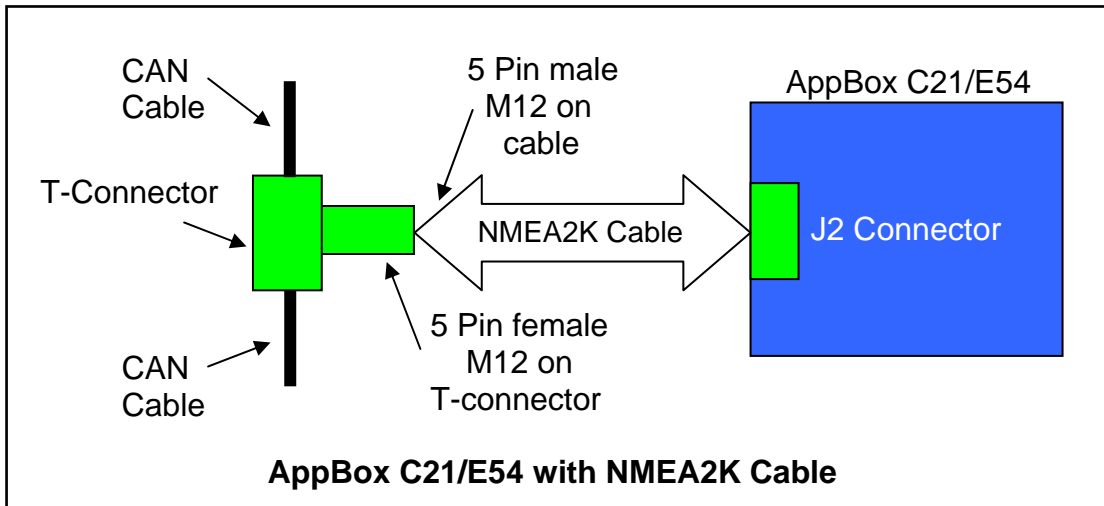
This document describes the NMEA2K (Part/SKU #: 703921-0001) cable used with the AppBox. This cable brings the CAN signals off the AppBox J2 connector or Distribution Box J2 image connector and connects them to a T-Connector on the NMES2K CAN bus.

1.1 NMEA2K Cable Features

This NMEA2K cable has the following features:

- Mates with AppBox J2 connector or Distribution Box
- Mates with M12 Male Spin connector
- Length: 3 foot (36 in / 91 cm)

The two diagrams below show the use of the NMEA2K cable.



1.2 NMEA2K Cable Product Contents

The following items are contained in the NMEA2K cable product (Part/SKU #: 703921-0001):

- NMEA2K cable in bag
- Product information card

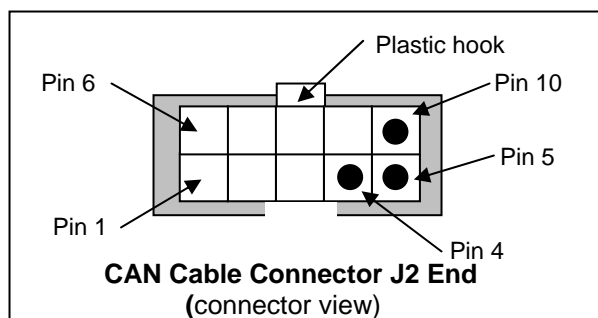
1.3 NMEA2K Cable Compatibility

The NMEA2K Cable is designed to work with the following products which can be ordered from Spectrum Digital or authorized resellers:

Accessory Description	Part/SKU Number
AppBox C21	703909-0001
AppBox E54	703919-0001
AppBox E70	703911-0001
Distribution Box	703924-0001

1.4 NMEA2K Cable AppBox / Distribution Box Connector

The NMEA2K cable end which plugs into the AppBox J2 connector or Distribution Box is a molded 10 pin (2 rows x 5 pin) connector. A view of this connector is shown below.

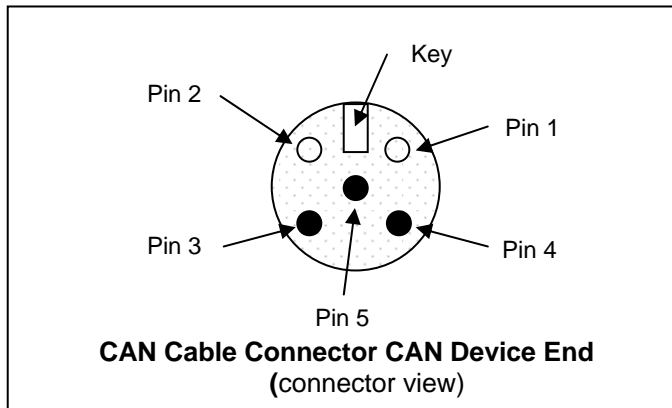


The following table shows the signals present on the NMEA2K cable at the AppBox J2 connector end

NMEA2K Cable J2 Connector End	
Pin number	Signal name
1	No connect
2	No connect
3	No connect
4	CAN_H
5	CAN_L
6	No Connect
7	DGND
8	No connect
9	No connect
10	CAN_C

1.5 NMEA2K Cable NMEA2K Device Connector

The NMEA2K cable end which plugs into a NMEA2K device is a 5 pin male M12 connector. A view of this connector is shown below.



The following table shows the signals present on the NMEA2K cable at the CAN device end.

NMEA2K Cable Device End	
Pin number	Signal name
1	No Connect
2	No Connect
3	CAN_C
4	CAN_H
5	CAN_L

1.6 NMEA2K Cable Schematics

The following pages contain the schematics for the NMEA2K cable.

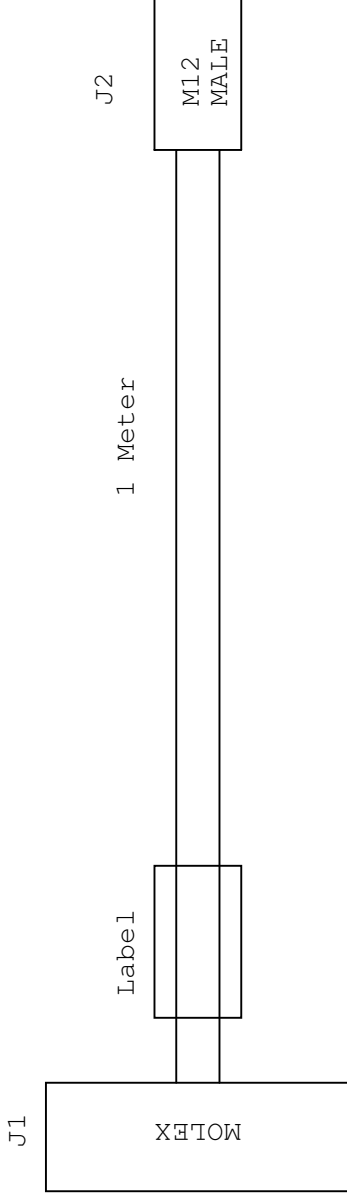
MOLEX TOOLING

SERVICE CRIMP TOOL 063811-1000
 HAND CRIMP TOOL 0638190901
 EXTRACTION TOOL 0011030044
 APPLICATOR 63902-3900

Molex Strip Length	
Jacket	29.21 mm
Conductor	3.00 mm

LABEL CONTENTS

Spectrum Digital
 NEMA2K Cable
 Part # 519215

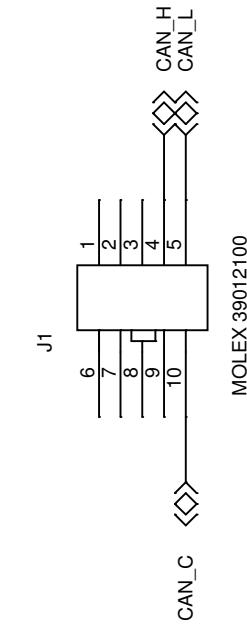
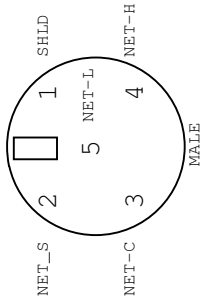


SPECTRUM DIGITAL INCORPORATED

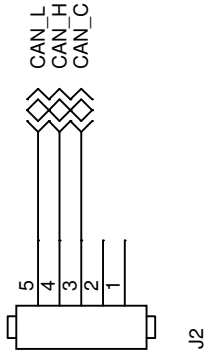
Title: NMEA2K CABLE	
Page Contents: TITLE	
Size: A	DWG NO 519215
Revision: A	
Date: Wednesday, December 11, 2019	Sheet 1 of 2

WIRE TABLE

J2	J1	COLOR	SIGNAL
1	-	WHITE	-
2	-	BROWN	-
3	10	BLUE	CAN_C
4	4	BLACK	CAN_H
5	5	GRAY	CAN_L



M12 Male 5pin Cable



SPECTRUM DIGITAL INCORPORATED

Title: N1E/A2K CABLE

Page Contents: LOGIC

Size: A DWG NO 519215 Revision: A

Date: Wednesday, December 11, 2019 Sheet 2 of 2

Spectrum Digital, Inc
PO Box 1559
Sugar Land, TX. 77487-1559

Web site: www.spectrumdigital.com
Sales: sales@spectrumdigital.com
Support: support@spectrumdigital.com

Copyright Spectrum Digital Inc, © 2020

519218-0001