



NMEA2K-CAN Cable For AppBox System User's Guide



Notice !

Spectrum Digital, Inc (SDI) provides the enclosed product under the following conditions:

The user/customer assumes ALL responsibility and liability for the proper use, storage, and safe handling of the product. Further, the user indemnifies SDI from all claims arising from the use, installation, storage, and handling of the product. Due to the flexibility and open construction of the product, it is the user's responsibility to take all appropriate precautions with regard to powering, attachment of cables, connection to other equipment, and electrostatic discharge.

Except to the extent of the indemnity set forth above, neither party shall be liable to the other for any indirect, special, incidental, or consequential damages.

SDI assumes no liability for applications assistance, customer product design, system and software performance, or infringements of patents or services described herein.

No license is granted under any patent right or other intellectual property right of SDI covering or relating to any machines, process, software, or combination in which such SDI products or services might be or are used.

SDI currently deals with a variety of customers for products, and therefore our arrangement with the reseller, customer, or user **is not exclusive**.

Please refer to the product web page on the SDI web site for warranty period.

The warranty and return policy are described on the SDI web site.

Mailing address:

Spectrum Digital, Inc
PO Box 1559
Sugar Land, TX. 77487-1559

Web site: www.spectrumdigital.com
Sales: sales@spectrumdigital.com
Support: support@spectrumdigital.com

Copyright Spectrum Digital Inc, © 2020

519183-0001

Table of Contents

Section	Title	Page
1.0	Introduction	4
1.1	NMEA2K - CAN Cable Features	4
1.2	NMEA2K - CAN Cable Product Contents	4
1.3	NMEA2K - CAN Cable AppBox / Distribution Box Connector	5
1.4	NMEA2K - CAN Cable CAN Device Connector	6
1.5	NMEA2K - CAN Cable Schematics	6

1.0 Introduction

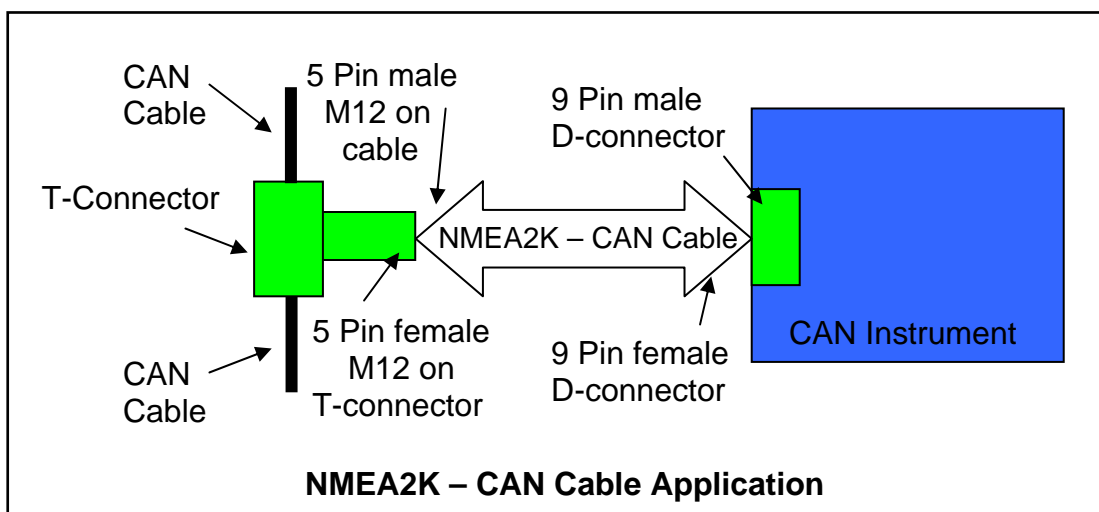
This document describes the NMEA2K - CAN (Part/SKU #: 703918-0001) cable used in an AppBox system. This cable brings the CAN signals off a NMEA2K T-connector to a 9 pin female D-connector. The D-connector interfaces to CAN instrument.

1.1 NMEA2K - CAN Cable Features

This NMEA2K - CAN cable has the following features:

- Mates with AppBox J2 connector or Distribution Box
- Mates with M12 Male Spin connector
- Length: 3 foot (36 in / 91 cm)

The diagrams below shows the use of the NMEA2K - CAN cable.



1.2 NMEA2K - CAN Cable Product Contents

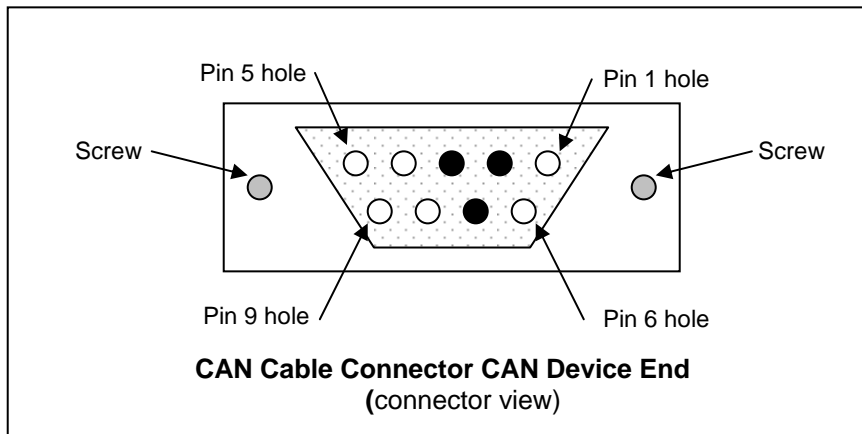
The following items are contained in the NMEA2K - CAN cable product (Part/SKU #: 703918-0001):

- NMEA2K - CAN cable in bag
- Product information card

1.3 NMEA2K – CAN Cable D-Connector

The D-connector end of the NMEA2K - CAN cable end attached to a CAN instrument which has the 9 pin male D-connector.

A view of this connector is shown below:



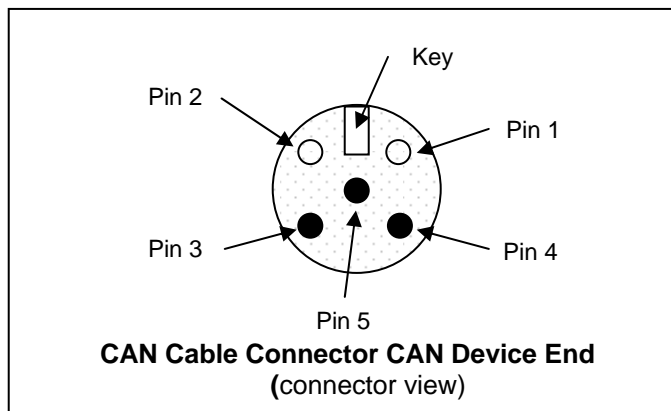
The following table shows the signals present on the D-connector end of the NMEA2K - CAN cable.

CAN Cable Device End	
Pin number	Signal name
1	No Connect
2	CAN_L
3	CAN_C
4	No Connect
5	No Connect
6	No Connect
7	CAN_H
8	No Connect
9	No connect

1.4 NMEA2K - CAN Cable NMEA2K - CAN Device Connector

The NMEA2K - CAN cable end which plugs into a T-connector on a CAN cable is a 5 pin male M12 connector.

A view of this connector is shown below.



The following table shows the signals present on the NMEA2K - CAN cable at the CAN device end.

NMEA2K - CAN Cable Device End	
Pin number	Signal name
1	No Connect
2	No Connect
3	CAN_C
4	CAN_H
5	CAN_L

1.5 NMEA2K-CAN Cable Schematics

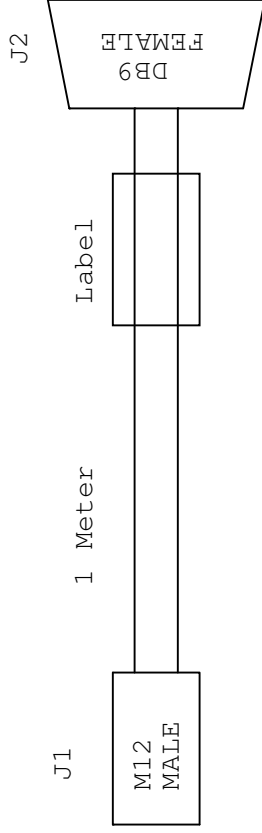
The following pages contain the schematics for the NMEA2K-CAN cable.

TE TOOLING	
CRIMP TOOL	58448-2
EXTRACTION TOOL	91285-1
APPLICATOR	2151496-1

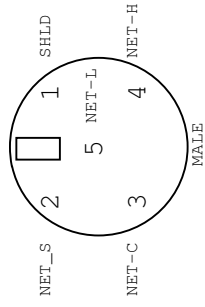
LABEL CONTENTS

Spectrum Digital
NEMA2K-CAN Cable
Part # 519180 A

TE Strip Length	
Conductor	2.14 - 2.64 mm



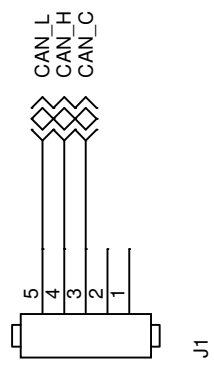
SPECTRUM DIGITAL INCORPORATED			
Title:	NEMA2K - CAN Cable		
Page Contents:	TITLE		
Size:A	DWG NO	519180	Revision: A
Date:	Wednesday, December 11, 2019		Sheet 1 of 2



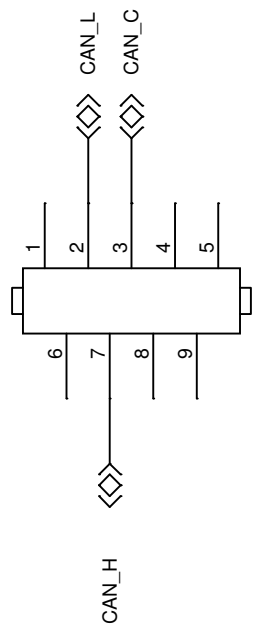
WIRE TABLE

J1	J2	COLOR	SIGNAL
1	-	WHITE	-----
2	-	BROWN	-----
3	3	BLUE	CAN_C
4	7	BLACK	CAN_H
5	2	GRAY	CAN_L

M12 Male 5pin Cable



J2



CONN DSUB 9-P FEMALE

SPECTRUM DIGITAL INCORPORATED

Title:		NEMA2K - CAN Cable	
Page Contents:		LOGIC	
Size:A	DWG NO	519180	Revision: A
Date: Wednesday, December 11, 2019	Sheet 2 of 2		2

Spectrum Digital, Inc
PO Box 1559
Sugar Land, TX. 77487-1559

Web site: www.spectrumdigital.com
Sales: sales@spectrumdigital.com
Support: support@spectrumdigital.com

Copyright Spectrum Digital Inc, © 2020

519183-0001