

Notes:

1. Jumpers are on back of board

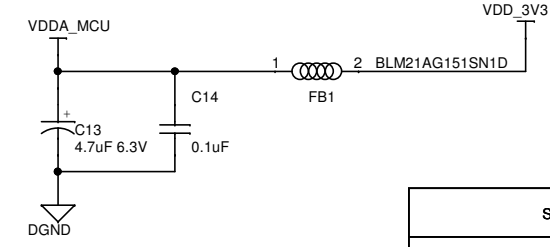
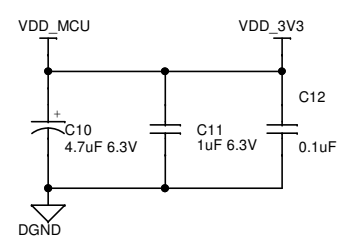
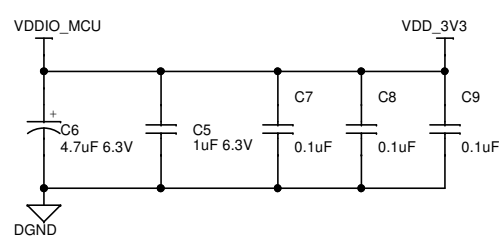
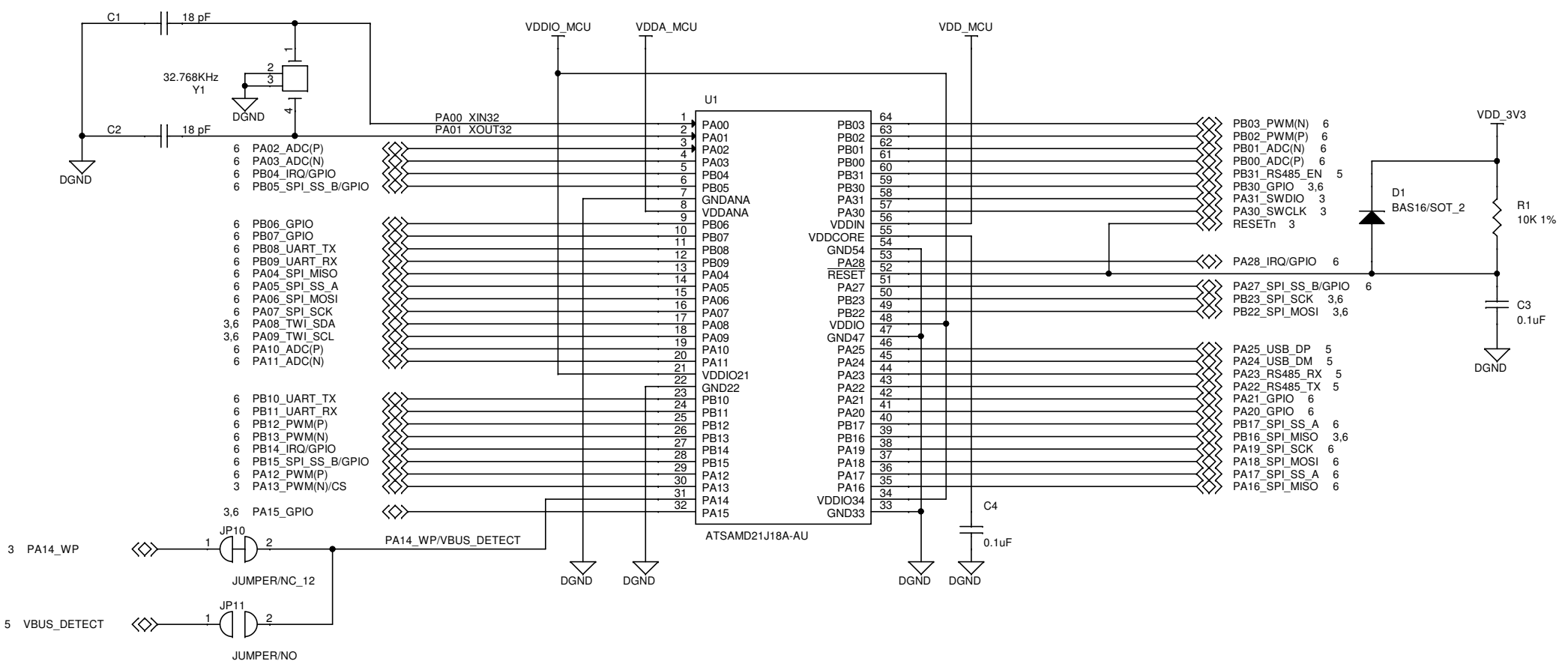
10	9	8	7	6
5	4	3	2	1

J2

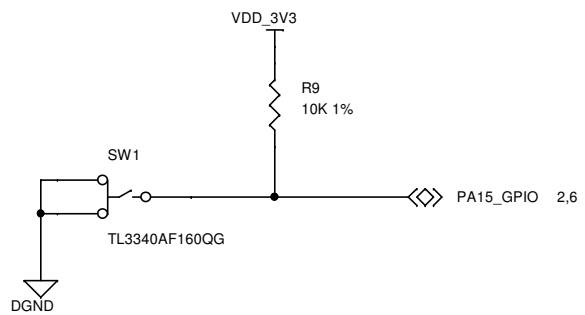
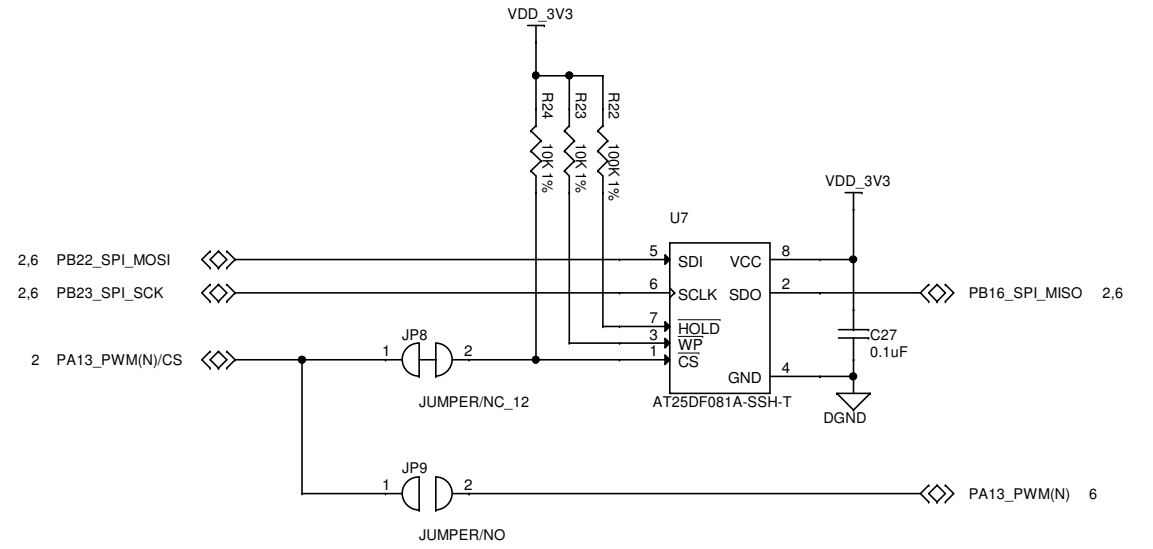
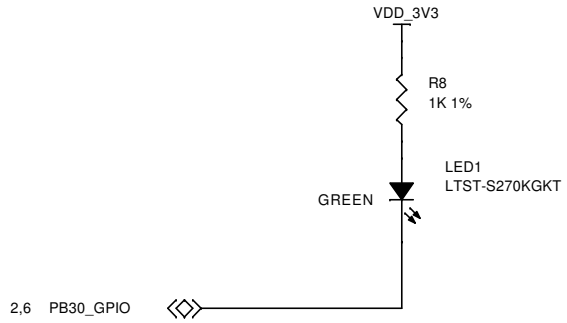
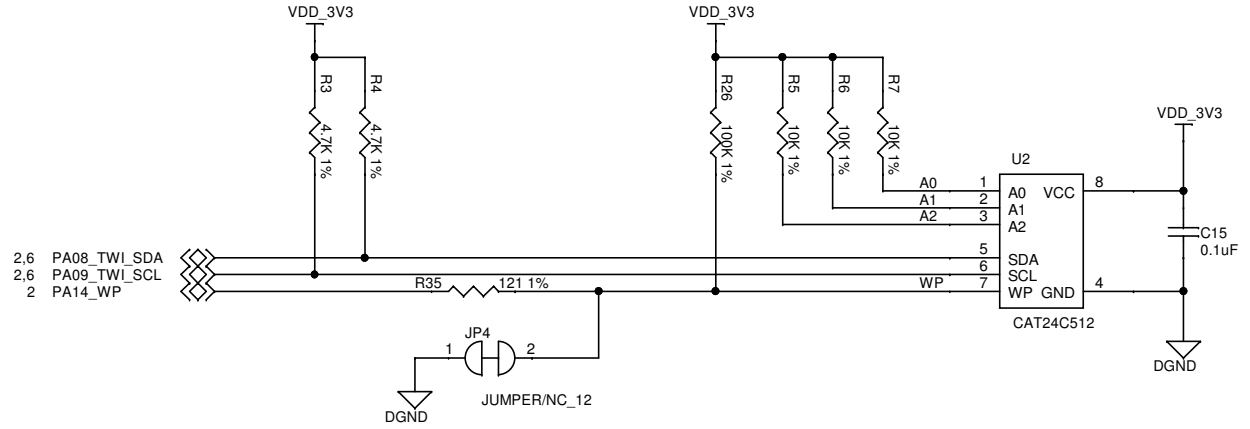
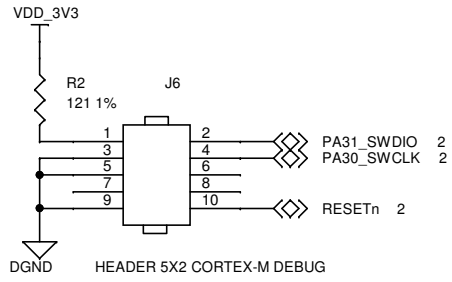
Shared Pins	
PA8_TWI_SDA	EXT1-3, CAT24C512
PA9_TWI_SCL	EXT1-3, CAT24C512
PA13_PWM(N)/CS	EXT3, AT25DF081A
PA14_WP/VBUS_DETECT	VBUS_DETECT, CAT24C512
PA15_GPIO	EXT3, SW1
PB10_UART_TX	EXT2-3
PB11_UART_RX	EXT2-3
PB16_SPI_MISO	EXT3, AT25DF081A
PB22_SPI_MOSI	EXT3, AT25DF081A
PB23_SPI_SCK	EXT3, AT25DF081A
PB30_GPIO	EXT3, LED1

SWITCH	Pos	Function
SW2-1	On	RS458 Termination
SW2-2		
SW2-3		
SW2-4	Off	RS485 Echo

SPECTRUM DIGITAL INCORPORATED			
Title: D21 APPLICATION BOARD			
Page Contents: TITLE			
Size:B	DWG NO	519102	Revision: D
Date: Friday, March 13, 2020			Sheet 1 of 6

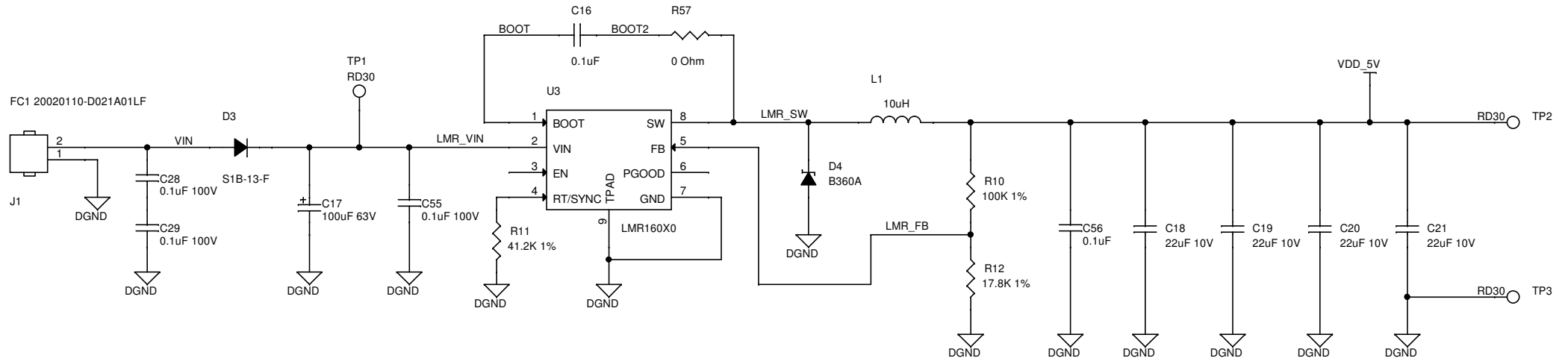


SPECTRUM DIGITAL INCORPORATED			
Title: D21 APPLICATION BOARD			
Page Contents: MCU1			
Size: B	DWG NO	519102	Revision: D
Date: Friday, March 13, 2020			Sheet 2 of 6

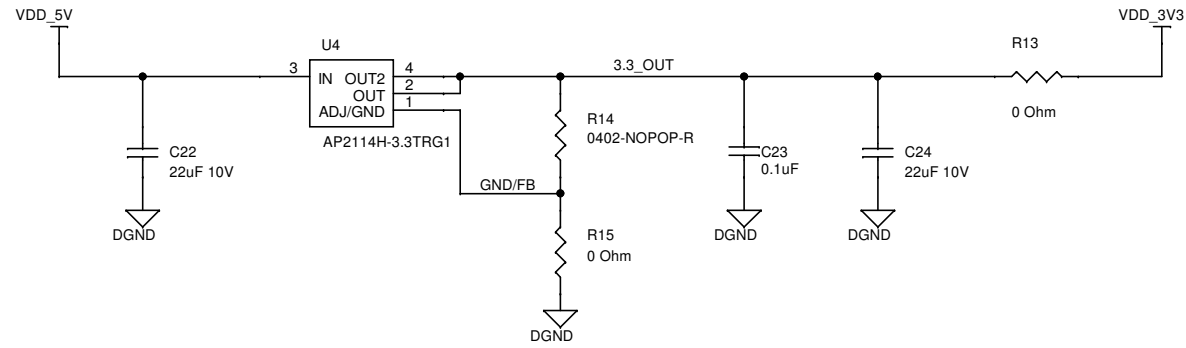


SPECTRUM DIGITAL INCORPORATED			
Title: D21 APPLICATION BOARD			
Page Contents: MCU2			
Size: B	DWG NO	519102	Revision: D
Date: Friday, March 13, 2020			Sheet 3 of 6

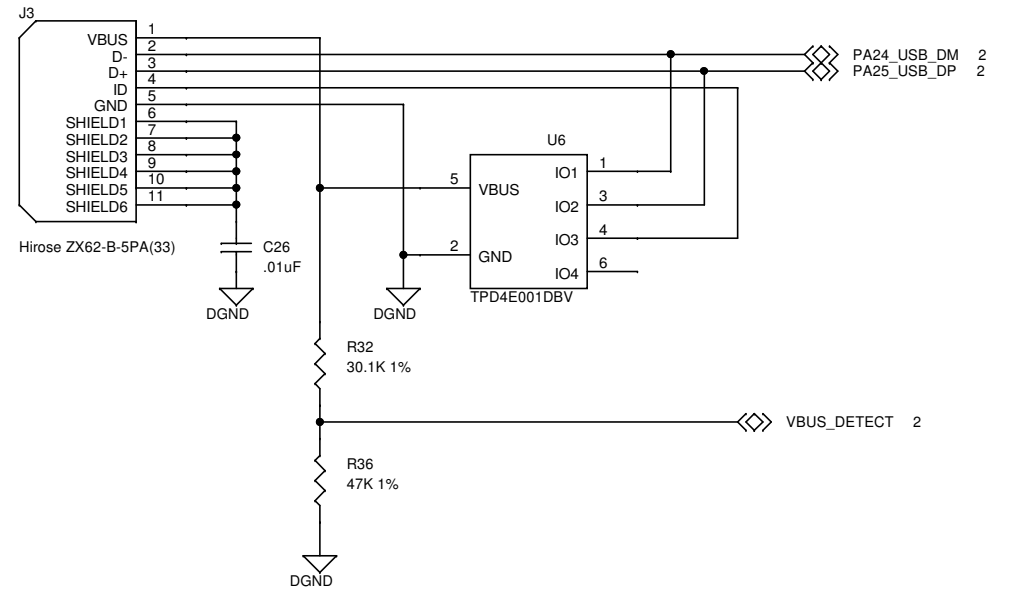
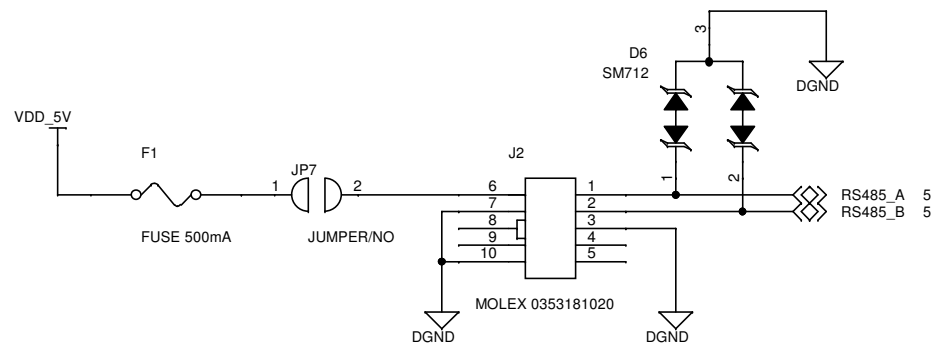
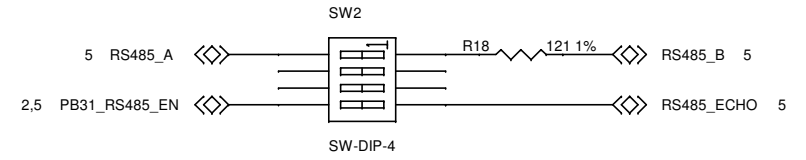
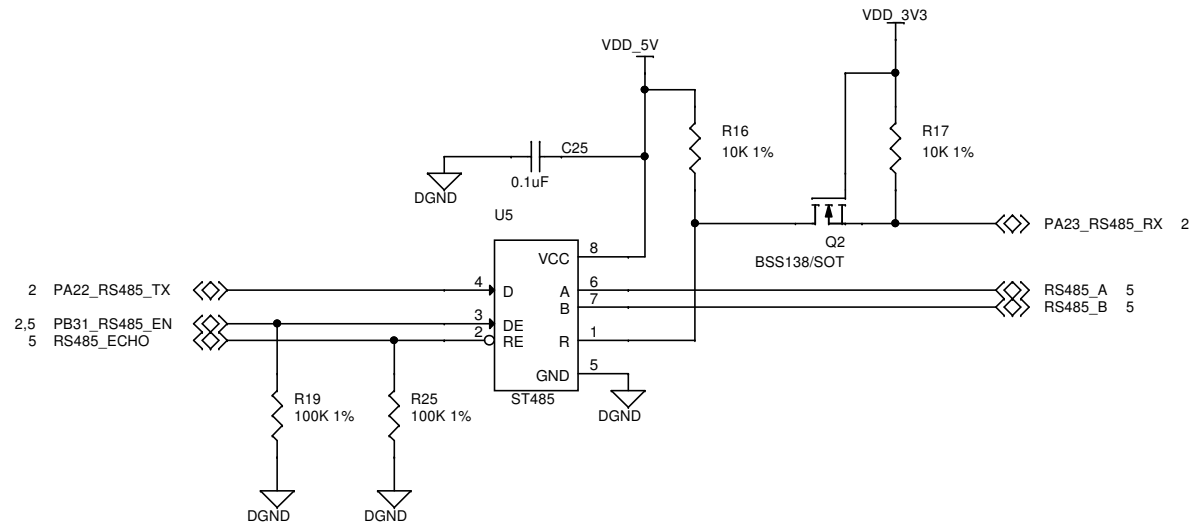
12V/24V AC/DC



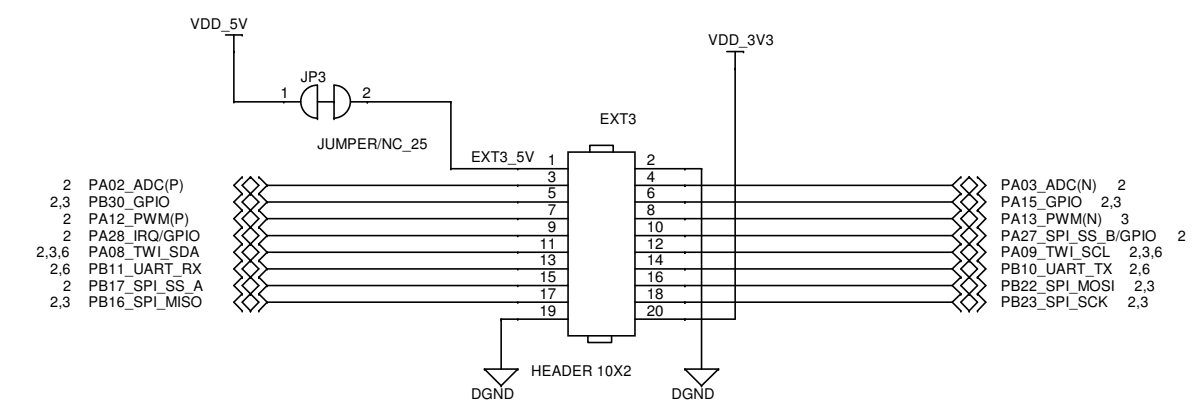
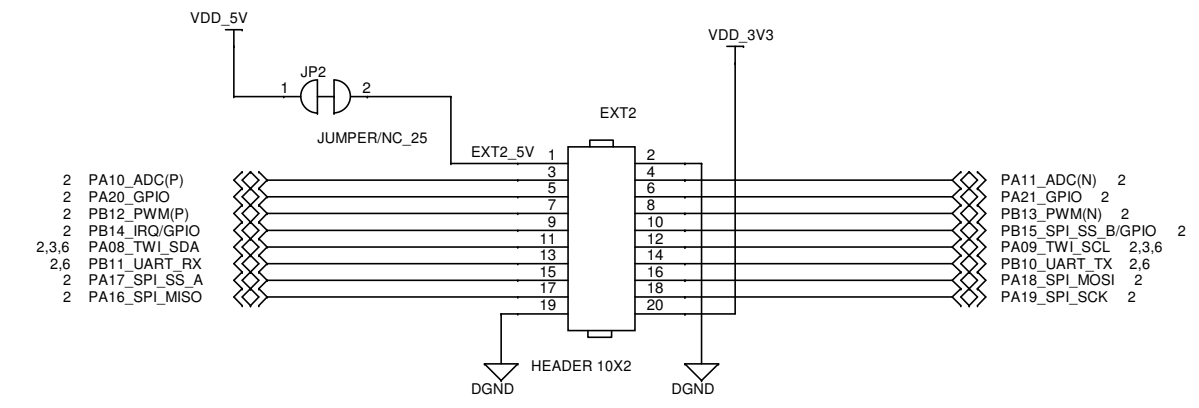
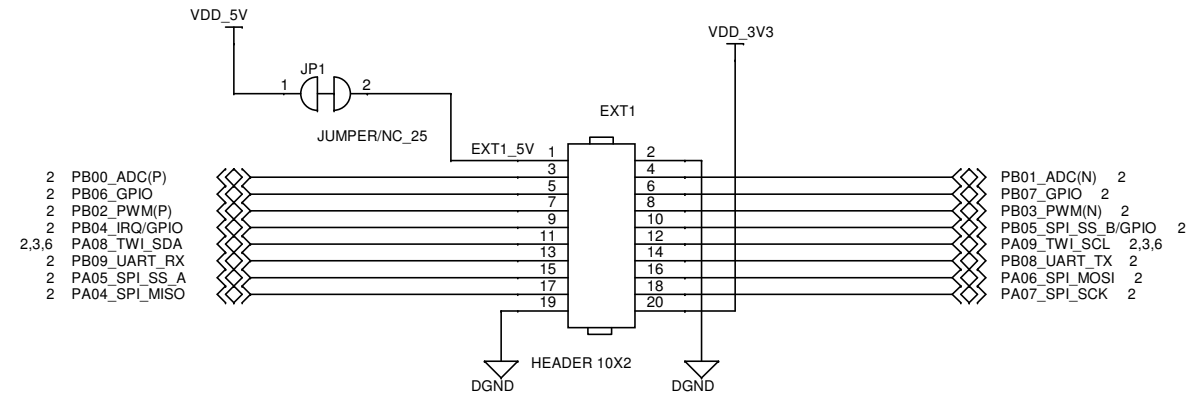
AZ1117EH-ADJ 442 Ohm 732 Ohm
AP2114H NO-POP 0 Ohm



SPECTRUM DIGITAL INCORPORATED			
Title: D21 APPLICATION BOARD			
Page Contents: POWER			
Size: B	DWG NO	519102	Revision: D
Date: Friday, March 13, 2020			Sheet 4 of 6



SPECTRUM DIGITAL INCORPORATED			
Title: D21 APPLICATION BOARD			
Page Contents: COMM			
Size: B	DWG NO	519102	Revision: D
Date: Friday, March 13, 2020			Sheet 5 of 6



SPECTRUM DIGITAL INCORPORATED			
Title: D21 APPLICATION BOARD			
Page Contents: EXPANSION			
Size: B	DWG NO	519102	Revision: D
Date: Friday, March 13, 2020			Sheet 6 of 6