



AppBox D21 System User's Guide



Specializes in
designing with
Microchip
products



Notice !

Spectrum Digital, Inc (SDI) provides the enclosed product under the following conditions:

The user/customer assumes all responsibility and liability for the proper use, storage, and safe handling of the product. Further, the user indemnifies SDI from all claims arising from the use, installation, storage, and handling of the product. Due to the flexibility and open construction of the product, it is the user's responsibility to take all appropriate precautions with regard to powering, attachment of cables, connection to other equipment, and electrostatic discharge.

Except to the extent of the indemnity set forth above, neither party shall be liable to the other for any indirect, special, incidental, or consequential damages.

SDI assumes no liability for applications assistance, customer product design, system and software performance, or infringements of patents or services described herein.

No license is granted under any patent right or other intellectual property right of SDI covering or relating to any machines, process, software, or combination in which such SDI products or services might be or are used.

SDI currently deals with a variety of customers for products, and therefore our arrangement with the reseller, customer, or user **is not exclusive**.

Please refer to the product web page on the SDI web site for warranty period.

The warranty and return policy are described on the SDI web site.

Mailing address:

Spectrum Digital, Inc
PO Box 1559
Sugar Land, TX. 77487-1559

Web site: www.spectrumdigital.com
Sales: sales@spectrumdigital.com
Support: support@spectrumdigital.com

Copyright Spectrum Digital Inc, © 2020

519108-4001

Table of Contents

Section	Title	Page
1.0	Introduction	4
1.1	AppBox D21 Features	4
1.2	AppBox D21 Applications	5
1.3	What's Included In The AppBox D21	5
1.4	AppBox D21 Front Panel	5
1.5	AppBox D21 Accessories	5
1.6	AppBox D21 Communication Expansion	6
1.7	AppBox D21 Software Development Tools	6
2.0	Installation	7
2.1	Attaching Power to the AppBox D21	7
2.2	Installation of AppIO Modules	8
2.3	Attachment of the Distribution Box to the AppBox D21	9
2.4	Installation of Atmel-ICE	10
3.0	Interfaces	11
3.1	Connectors	12
3.1.1	J1, Power Connector	13
3.1.2	J2, RS485 Connector	14
3.1.3	J3, USB Connector	15
3.1.4	J6, Cortex-M Debug Connector	15
3.1.5	AppIO Module Connectors	16
3.1.5.1	EXT1, AppIO Module 1 Connector	17
3.1.5.2	EXT2, AppIO Module 2 Connector	18
3.1.5.3	EXT3, AppIO Module 3 Connector	19
3.2	Jumpers	20
3.3	Switches	22
3.4	LEDs	23
3.5	Test Points	23
4.0	Physical Characteristics	23
5.0	Mechanical Information	24
6.0	Schematics	24

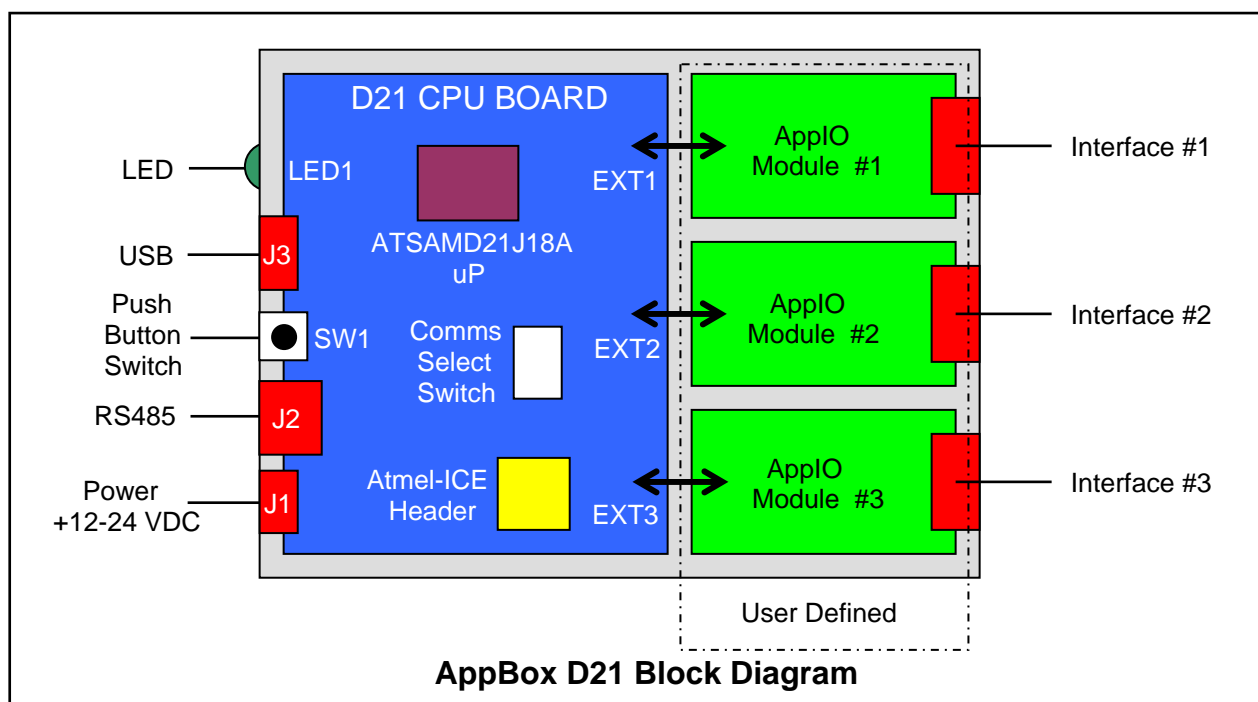
1.0 Introduction

This document describes the features of the AppBox D21. The AppBox D21 is designed to be used in an industrial environment with a USB, or RS-485 interface and provide flexible, modular I/O (AppIO) for specific applications. These AppIO Modules allow customized solutions to be integrated for a wide variety of applications that need to go into a USB or RS-485 communications environment.

1.1 Features

This AppBox D21 has the following features:

- Atmel ATSAMD21J18A processor (ARM Cortex-M0+), maximum frequency 48 MHz.
- Operates on +12 to +24 volts DC, uses less than 500 Ma. at +12V
- USB interface for industrial computer systems
- RS485 communications for industrial systems
- Communication interface expansion via Distribution Box (sold separately)
- Modular I/O expansion via up to three (3) AppIO Modules, Atmel X PLAINED compatible
- Fully enclosed system with knock out panels for AppIO Modules (sold separately)
- Convenient enclosure mounting holes
- Vented enclosure for cooling
- Front panel push button switch
- Front panel programmable LED
- Atmel-ICE debug header present for development
- Operates 0 - +70C



1.2 AppBox D21 Applications

The AppBox D21 can be used in the following applications:

- Battery/low power systems
- Process/industrial control
- Home automation
- Data acquisition
- Communications converter (RS485-USB)
- Operates with industrial voltage levels
- Reconfigurable applications with AppIO Modules

1.3 What's Included In the AppBox D21

The Spectrum Digital AppBox D21 product (Part/SKU #: 703910-0001) includes:

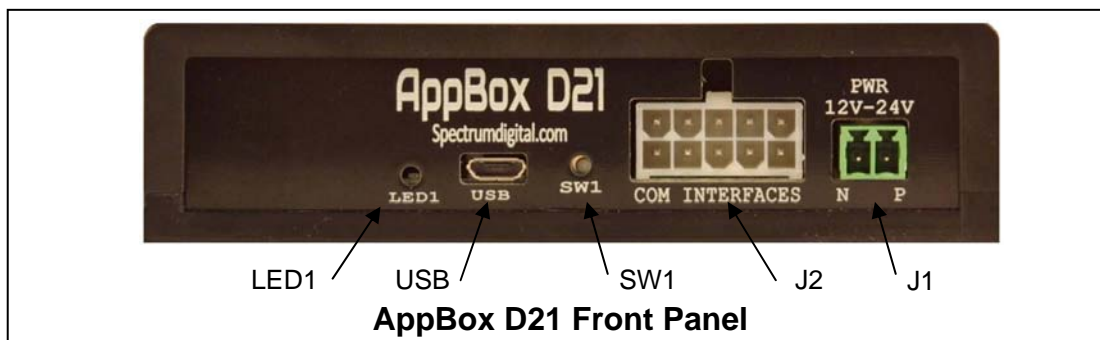
- AppBox D21 in anti-static bag
- Terminal block header for power input
- Product information card

NOTE: This product does not include any software or drivers. Development tools (Atmel-ICE and Software code generation suite) can be obtained from Microchip/Atmel at:

<https://www.microchip.com/development-tools/>.

1.4 AppBox D21 Front Panel

The features of the front panel on the AppBox D21 are shown in the figure below:



1.5 AppBox D21 Accessories

The following accessories for the AppBox D21 can be ordered from Spectrum Digital or authorized resellers:

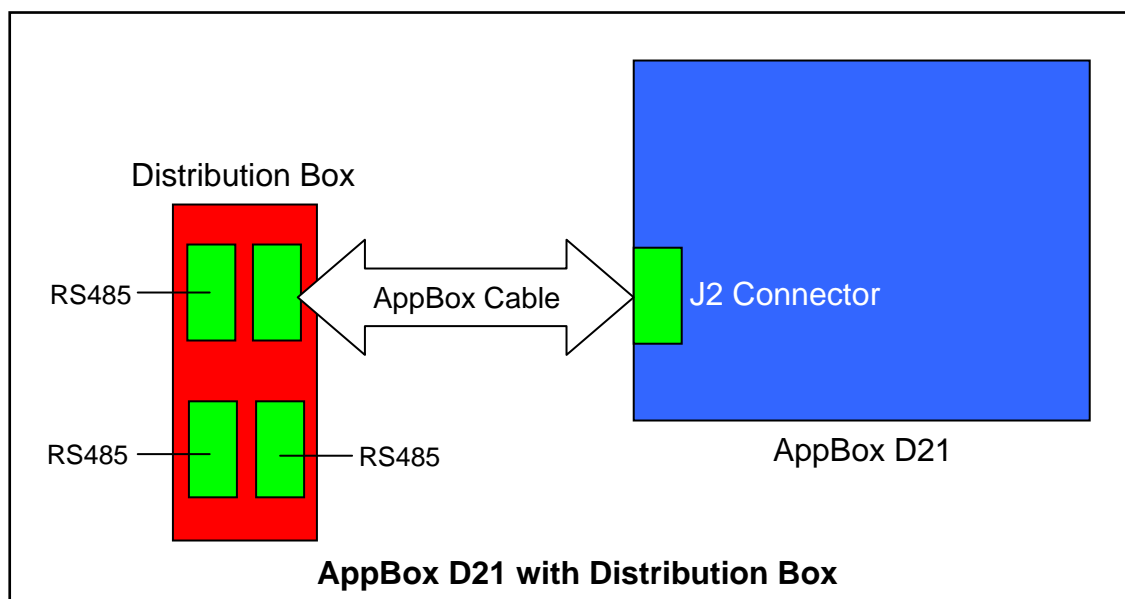
Accessory Description	Part/SKU Number
AppBox Power Supply with cable, 110/220 VAC to 12 VDC, 1.5A	703925-0001
Distribution Box	703924-0001
AppBox Cable	703923-0001
RS485 cable	703917-0001
USB-RS485 cable	703914-0001

1.6 AppBox D21 Communication Expansion

The J2 connector on the AppBox D21 presents multiple communication interfaces. The standard factory cables only support one interface at a time. To have access to multiple communication interfaces a Distribution Box (Part/SKU #: 703924-0001) and AppBox cable (Part/SKU #: 703923-0001) are required. The Distribution Box expands the J2 connector to four (4) images of the AppBox D21 J2 connector. The AppBox cable bridges **all** signals on the AppBox D21 J2 connector to a connector on the Distribution Box. Be **aware** that **one** of the Distribution Box connectors will be used for the AppBox bridging cable leaving 3 connectors to be used for communication interfaces. All cables that can plug into the J2 connector on the AppBox D21 can plug into the Distribution Box.

The user should enable all interfaces they want to use with the Distribution Box by setting the switch positions on Switch SW2, position 1. See section 3.3.

The AppBox D21 and Distribution Box system configuration is shown in the figure below:



1.7 AppBox D21 Software Development Tools

The AppBox D21 is compatible with the software and hardware development tools from Microchip/Atmel. These tools are described on the Microchip/Atmel website:

<https://www.microchip.com/development-tools/>

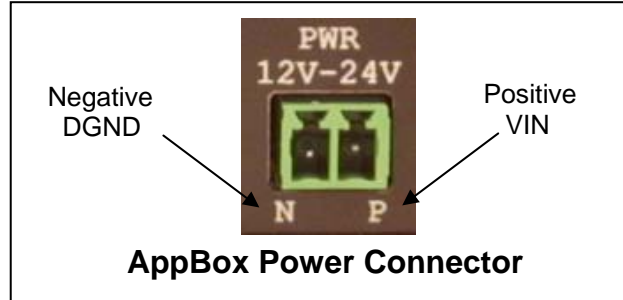
These tools include the following:

- Editor
- Compiler/assembler/linker
- Libraries
- Operating System
- Debugger
- JTAG Emulator

2.0 Installation

2.1 Attaching Power to the AppBox D21

Power can be provided to the AppBox D21 by two different means; the AppBox power supply with cable (Part/SKU #: 703925-0001), or wiring the 2 position terminal block header (included with AppBox D21) that plugs into the D21 CPU Board's power input connector. See the figure below.

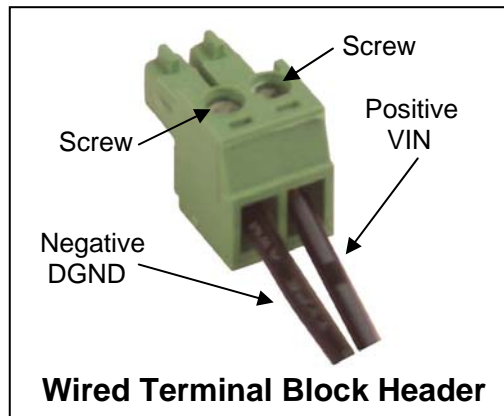


Listed below are the steps to install the terminal block header power connector (included in kit) into the AppBox D21.

1. Cut 2 pieces of wire (preferably 1 red for positive-VIN, 1 black for negative-DGND) to the desired length for your application. This wire should be 22 gauge or heavier
2. Strip $\frac{1}{4}$ inch (6-7 mm) of insulation from one end of each wire.
3. Position the terminal block header on a flat surface with the key stubs up and away from you. See the figure below.



4. Insert the negative/DGND wire (black) into the left wire hole and tighten the screw.
5. Insert the positive/VIN wire (red or black with strip) into the right wire hole and tighten the screw.
6. The terminal header should look like the figure below.



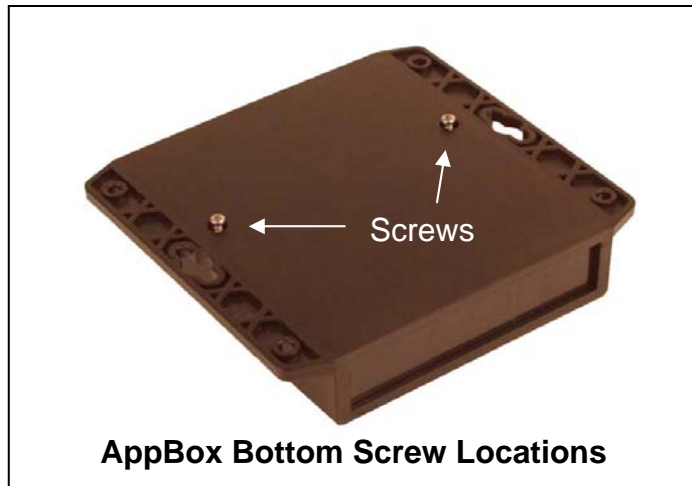
7. Pull/tug on the wires to insure they are secure in the terminal block.

8. Attach the loose end of the wires to a +12 – 24 VDC power source. Be sure of the polarity. This power source should supply at least 1 amp of current. This requirement will vary depending on the current requirements of the C21 CPU Board and the AppIO Modules.
9. Turn on the power source.
10. With a multi-meter or oscilloscope measure the voltage at the terminal block header to verify +12 -24 VDC is present. Place the meter/scope probes on the 2 screws to measure.
11. Turn off the power source
12. Insert the terminal block header into the power input of the AppBox D21.
13. Turn on the power source.

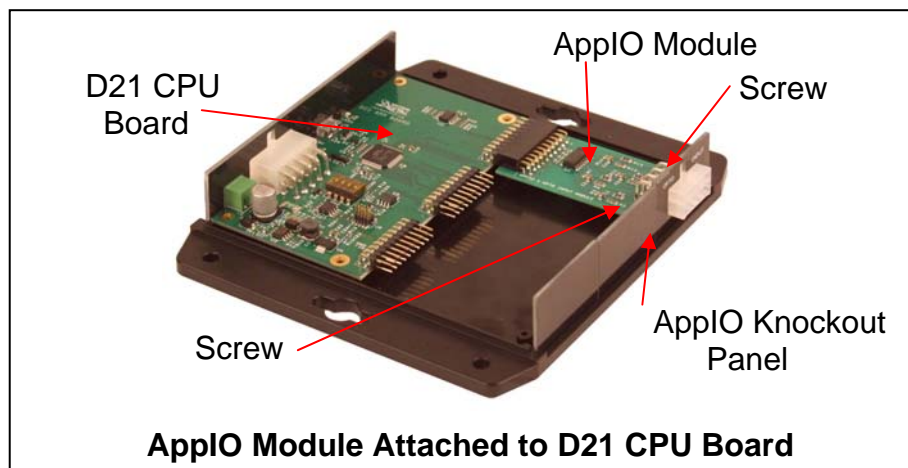
2.2 Installation of AppIO Modules

Listed below are the steps to install AppIO Modules in the AppBox D21:

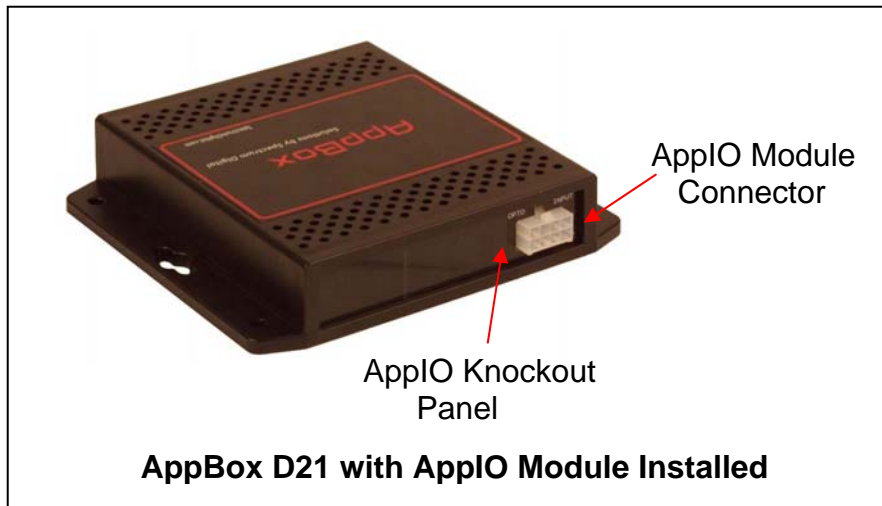
1. Remove **ALL** power to the AppBox enclosure
2. Remove all interface connections attached to the installed AppIO Modules
3. Remove the USB/RS-485 cables to the D21 processor board
4. Turn the AppBox over and remove the 2 screws from the bottom of the enclosure as shown below



5. Turn the AppBox back over (label showing) and lift the top off the enclosure being careful not to lose the knockout panels
6. If necessary remove one or more existing AppIO Modules and associated knockout panels by unscrewing the 2 screws
7. If the AppIO modules require configuration or jumper settings, do it now.
8. Plug the new AppIO Module(s) into EXT1, EXT2, or EXT3 on the D21 CPU Board



9. Insert the included knock out panel associated with this AppIO Module
10. Insert and tighten the 2 screws for the AppIO Module
11. Insert the knock out panels in any unused positions
12. Place the cover back over the D21 processor board and AppIO Modules
13. Insert the 2 screws back in and tighten until snug, do not over tighten/strip the screws

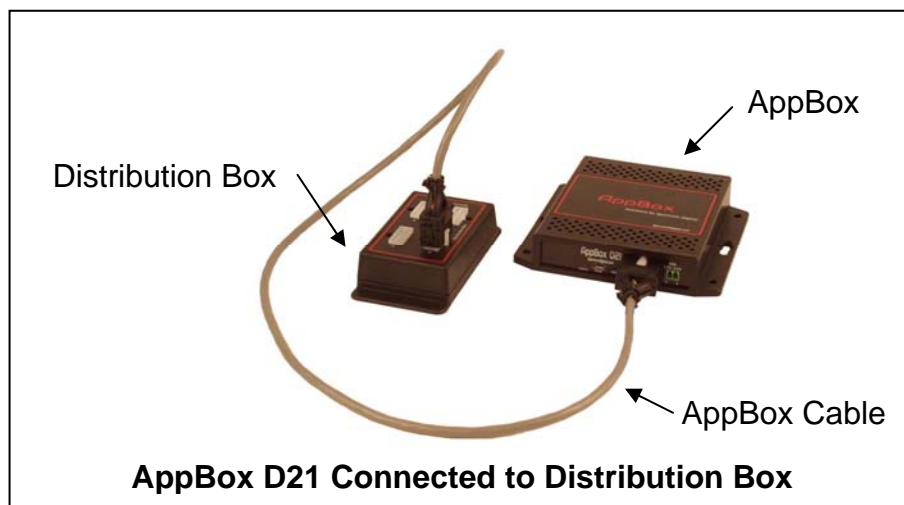


14. Re-attach the USB/RS-485 connections to the processor board
15. Re-attach all interface connections to the AppIO Modules
16. Apply power to the AppBox D21

2.3 Attachment of Distribution Box to the AppBox D21

Listed below are the steps to attach the Distribution Box (Part/SKU #: 903924-0001) to the AppBox D21:

1. Remove **ALL** power to the AppBox D21 enclosure
2. Remove any communication cables from the J2 connector on the AppBox D21
3. Plug one end of the AppBox cable (Part/SKU #: 703923-0001) into the J2 connector on the AppBox D21
4. Plug the other end of the AppBox cable into one of the connectors on the Distribution Box

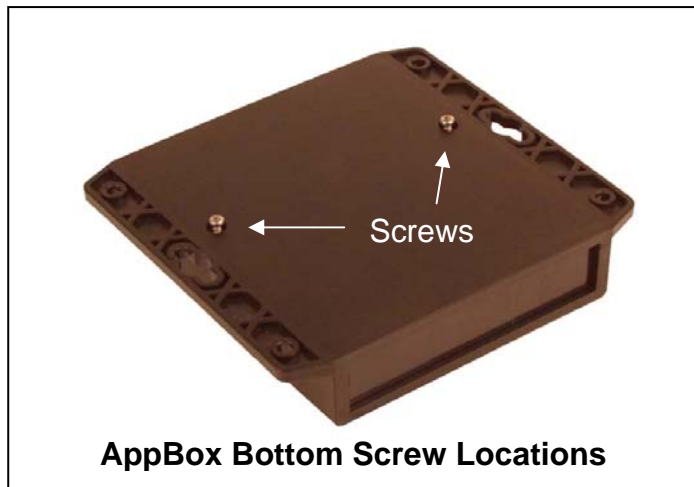


5. Plug the desired communication cables into the Distribution Box
6. Make all other connections before powering
7. Apply power to the AppBox D21

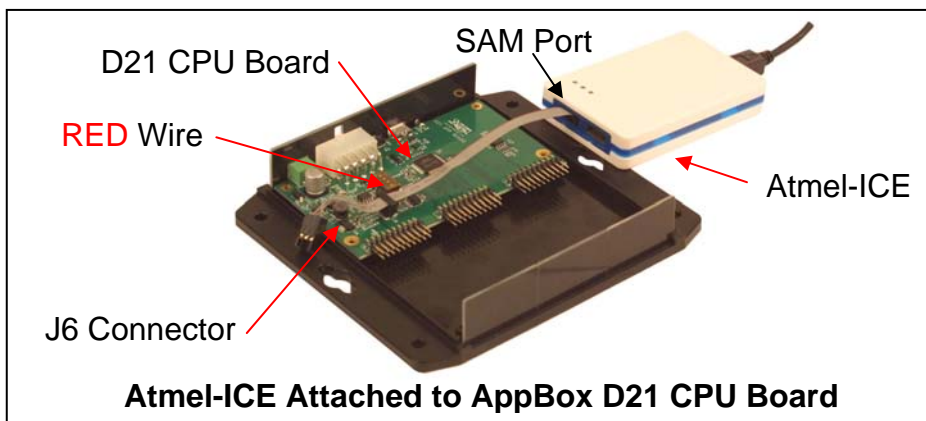
2.4 Installation of Atmel-ICE emulator

Listed below are the steps to install Atmel-ICE emulator:

1. Remove **ALL** power to the AppBox D21 enclosure
2. Remove all interface connections attached to the AppIO Modules
3. Remove the USB/RS-485 connections to the processor Module
4. Turn the AppBox over and remove the 2 screws from the bottom of the enclosure as shown below



5. Turn the AppBox back over (label showing) and lift the top off the enclosure being careful not to lose the knockout panels
6. Plug the emulator end of the ribbon cable into the "SAM" Port on the emulator
7. Plug in the Atmel-ICE debug into connector J6 on the AppBox D21 CPU board. Visually inspect the connection to insure all the board pins are in the female cable connector.

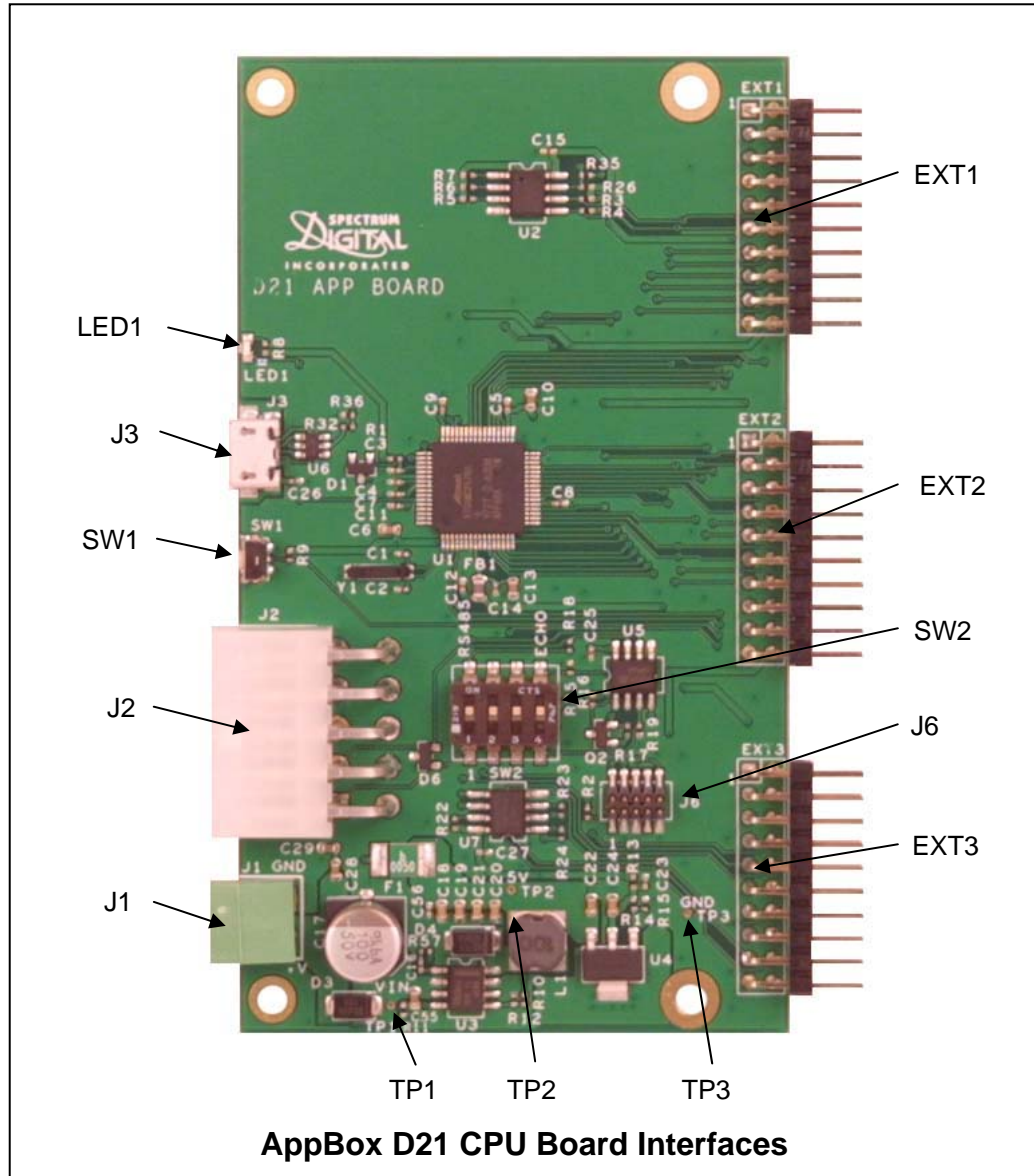


8. Re-attach the USB/RS-485 connections to the processor board
9. Re-attach all interface connections to the AppIO Modules
10. Apply power to the AppBox D21
11. Start debug session on the host computer

3.0 Interfaces

This section describes the interfaces on the AppBox D21 CPU Board. These interfaces include the connectors, jumpers, switches, LEDs, and test points.

The location of each of these interfaces is shown in the figure below:



The table below lists all the interfaces on the AppBox D21 CPU Board.

AppBox D21 CPU BOARD INTERFACES	
INTERFACE NAME	TYPE OF INTERFACE
J1	Connector for power input
J2	Connector for RS-485
J3	Connector for USB
J6	Connector for header 5x2 Cortex-M Debug
EXT1	Connector to AppIO Module
EXT2	Connector to AppIO Module
EXT3	Connector to AppIO Module
JP1	SMT jumper (bottom)
JP2	SMT jumper (bottom)
JP3	SMT jumper (bottom)
JP4	SMT jumper (bottom)
JP7	SMT jumper (bottom)
JP8	SMT jumper (bottom)
JP9	SMT jumper (bottom)
JP10	SMT jumper (bottom)
JP11	SMT jumper (bottom)
SW1	Pushbutton switch
SW2	4 position DIP switch
LED1	Green LED
TP1	Test point
TP2	Test point
TP3	Test point

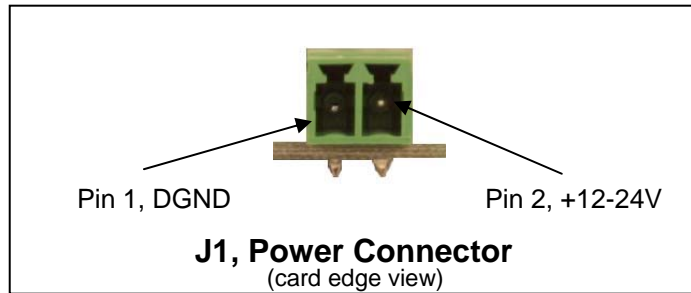
3.1 Connectors

The following section describes the connectors on the AppBox D21 CPU Board.

INTERFACE NAME	TYPE OF INTERFACE	MATING CONNECTOR
J1	Connector for power input	Amphenol Anytek Terminal block, 2 pos TJ2031530000G TS02315A0000G
J2	Connector for RS-485 10 position, 2 x 5	Molex 10 Position Rectangular Housing Connector Receptacle Natural 0.165" (4.20mm) 0039012100, 0039000038
J3	Connector for USB	??
J6	Connector for header 5x2 Cortex-M Debug	Cortex-M Debug tail
EXT1	Connector to AppIO Module #1, 20 position, 2 x 10	
EXT2	Connector to AppIO Module #2, 20 position, 2 x 10	
EXT3	Connector to AppIO Module #3, 20 position, 2 x 10	

3.1.1 J1, Power Connector

This section describes J1, the power connector. Shown below is a physical diagram of the J1 connector.

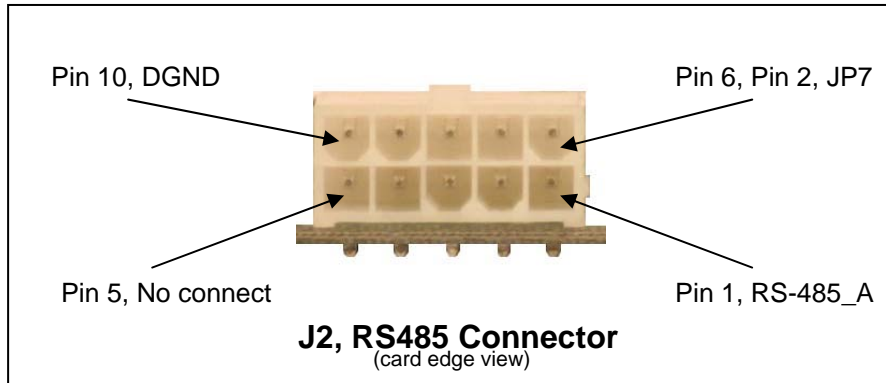


The following table shows the signals present on the J1 connector.

J1, Power Connector	
Pin number	Signal name
1	DGND
2	VIN, (+12-24 VDC)

3.1.2 J2, RS485 Connector

This section describes J2, the RS485 connector. The diagram below shows the physical diagram of the J2 connector.



The following table shows the signals present on the J2 connector.

J2, RS485 Connector	
Pin number	Signal name
1	RS485_A
2	RS485_B
3	DGND
4	No Connect
5	No Connect
6	JP7, VDD_V5 if JP7 shorted, No connect if JP7 open
7	DGND
8	No Connect
9	No Connect
10	DGND

3.1.3 J3, USB Connector

The following table shows the signals present on the J3 connector. The J3 connector is a female USB connector.

J3, USB Connector	
Pin number	Signal name
1	VBUS / Pin 5, U6
2	D- / PA24_USB_DM, Pin 1, U6, IO1
3	D+ / PA25_USB_DP, Pin 3, U6, IO2
4	ID / Pin 4, U6, IO3
5	DGND
6	SHIELD1 / DGND via cap
7	SHIELD2 / DGND via cap
8	SHIELD3 / DGND via cap
9	SHIELD4 / DGND via cap
10	SHIELD5 / DGND via cap
11	SHIELD6 / DGND via cap

3.1.4 J6, Cortex-M Debug Connector

The following table shows the signals present on the J6 connector.

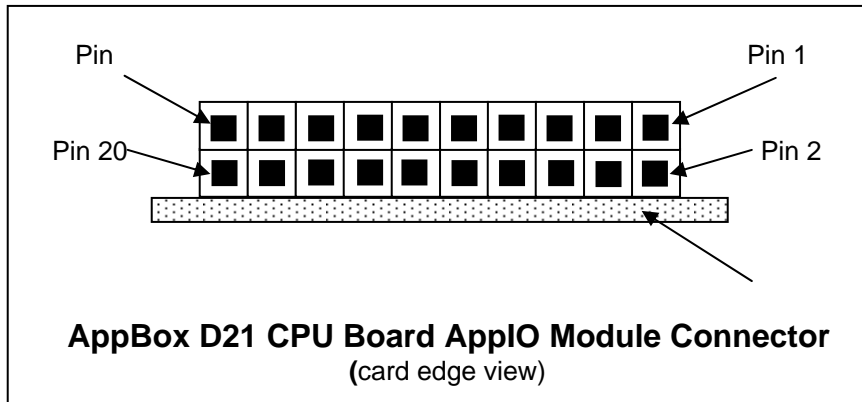
J6, Cortex-M Debug Connector	
Pin number	Signal name
1	VDD_3V3, +3.3 volts
2	PA31_SWDIO
3	DGND
4	PA30_SWCLK
5	DGND
6	No Connect
7	No Connect
8	No Connect
9	DGND
10	RESETn

3.1.5 AppIO Module Connectors

The AppBox D21 CPU Board has 3 connectors which allow the AppBox D21 to be customized to meet specific application requirements. By using function specific AppIO Modules, the user can tailor their system configuration to meet their unique requirements. The AppIO Modules can be plugged into any of the 3 connectors (EXT1, EXT2, EXT3). These 3 connectors are 20 pin, 2 x 10 double row, right angle connectors with pins on 0.1 inch (2.54 mm) centers.

Note: The user should be aware that several signals from the AppBox D21 CPU are shared and present on all 3 connectors. If the signals are used by one connector (AppIO Module) they should not be used on the other connectors

The following diagram shows the physical layout of the EXT1, EXT2, and EXT3 connectors.



3.1.5.1 EXT1, AppIO Module Connector

The following table shows the signals present on the EXT1 connector.

EXT1, AppIO Module Connector			
Pin #	Signal Name	Function	Shared Functionality
1	Pin 2, JP1, VDD_5V if shorted	+5 volts to AppIO Module if shorted	VDD_5V
2	DGND	Ground	Ground
3	PB00_ADC(P)	A/D converter, alternatively positive part of differential ADC	
4	PB01_ADC(N)	A/D converter, alternatively negative part of differential ADC	
5	PB06_GPIO	General purpose I/O	
6	PB07_GPIO	General purpose I/O	
7	PB02_PWM(P)	PWM, alternatively positive part of differential PWM	
8	PB03_PWM(N)	PWM, alternatively negative part of differential PWM	
9	PB04_IRQ/GPIO	Interrupt request line and/or GPIO	
10	PB05_SPI_SS_B/GPIO	Slave select for SPI and/or GPIO	
11	PA08_TWI_SDA	Data line for I ² C interface, always implemented, bus type	Pin 11 on EXT2, EXT3, Pin 5, U2
12	PA09_TWI_SCL	Clock line for I ² C interface, always implemented, bus type	Pin 12 on EXT2, EXT3, Pin 6, U2
13	PB09_UART_RX	Receiver line of target device UART	
14	PB08_UART_TX	Transmitter line of target device UART	
15	PA05_SPI_SS_A	Slave select for SPI	
16	PA06_SPI_MOSI	Master out slave out line of serial peripheral interface, always implemented, bus type	
17	PA04_SPI_MISO	Master in slave out line of serial peripheral interface, always implemented, bus type	
18	PA07_SPI_SCK	Clock for serial peripheral interface, always implemented, bus type	
19	DGND	Ground	Ground
20	VDD_3V3	Power for the AppIO Module	Power for the AppIO Module

3.1.5.2 EXT2, AppIO Module Connector

The following table shows the signals present on the EXT2 connector.

EXT2, AppIO Module Connector			
Pin #	Signal Name	Function	Shared Functionality
1	Pin 2, JP2, VDD_5V if shorted	+5 volts to AppIO Module if shorted	VDD_5V
2	DGND	Ground	Ground
3	PA10_ADC(P)	A/D converter, alternatively positive part of differential ADC	
4	PA11_ADC(N)	A/D converter, alternatively negative part of differential ADC	
5	PA20_GPIO	General purpose I/O	
6	PA21_GPIO	General purpose I/O	
7	PB12_PWM(P)	PWM, alternatively positive part of differential PWM	
8	PB13_PWM(N)	PWM, alternatively negative part of differential PWM	
9	PB14_IRQ/GPIO	Interrupt request line and/or GPIO	
10	PB15_SPI_SS_B/GPIO	Slave select for SPI and/or GPIO	
11	PA08_TWI_SDA	Data line for I ² C interface, always implemented, bus type	Pin 11 on EXT1, EXT3, Pin 5, U2
12	PA09_TWI_SCL	Clock line for I ² C interface, always implemented, bus type	Pin 12 on EXT1, EXT3, Pin 6, U3
13	PB11_UART_RX	Receiver line of target device UART	Pin 13 on EXT3
14	PA10_UART_TX	Transmitter line of target device UART	Pin 14 on EXT3
15	PB17_SPI_SS_A	Slave select for SPI	
16	PB18_SPI_MOSI	Master out slave out line of serial peripheral interface, always implemented, bus type	
17	PA16_SPI_MISO	Master in slave out line of serial peripheral interface, always implemented, bus type	
18	PB19_SPI_SCK	Clock for serial peripheral interface, always implemented, bus type	
19	DGND	Ground	Ground
20	VDD_3V3	Power for the AppIO Module	Power for the AppIO Module

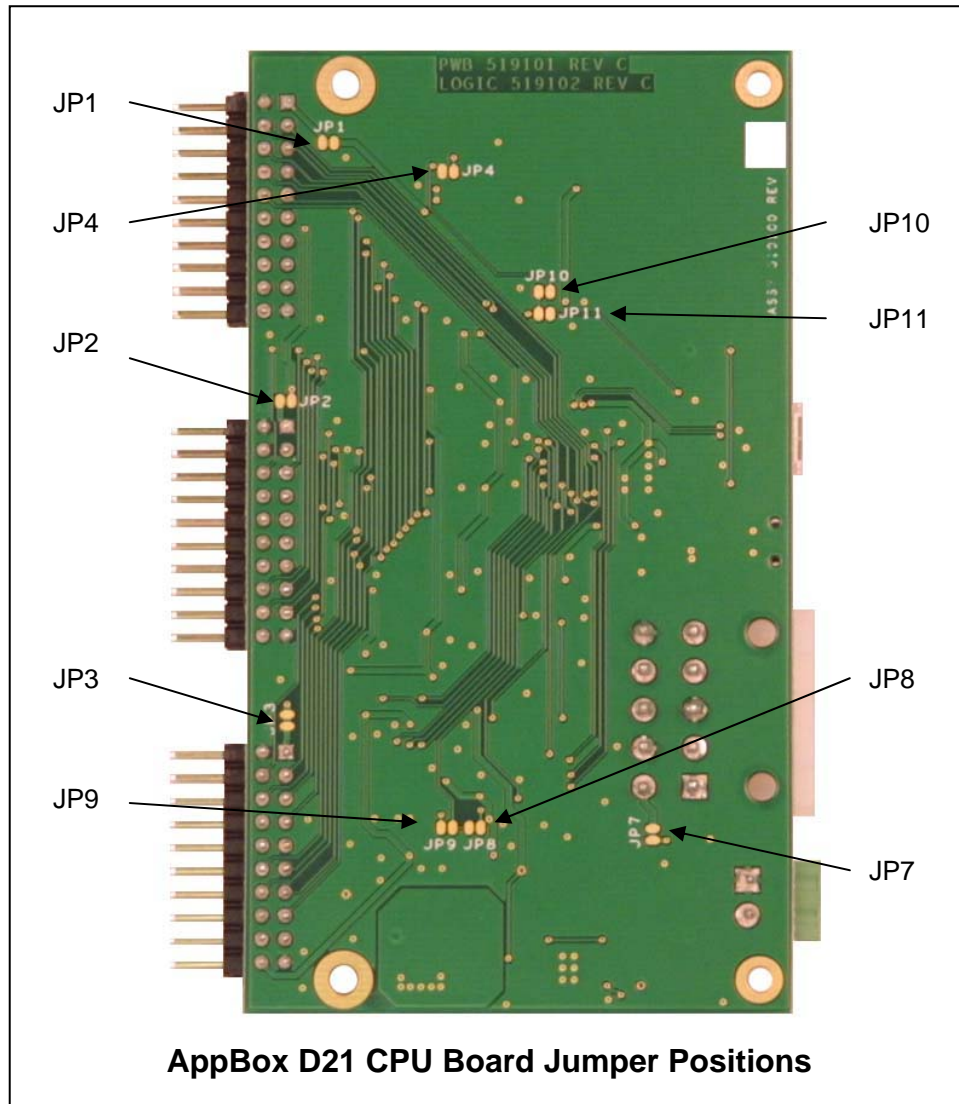
3.1.5.3 EXT3, AppIO Module Connector

The following table shows the signals present on the EXT3 connector.

EXT3, AppIO Module Connector			
Pin #	Signal name	Function	Shared Functionality
1	Pin 2, JP3, VDD_5V if shorted	+5 volts to AppIO Module if shorted	VDD_5V
2	DGND	Ground	Ground
3	PA02_ADC(P)	A/D converter, alternatively positive part of differential ADC	
4	PA03_ADC(N)	A/D converter, alternatively negative part of differential ADC	
5	PB30_GPIO	General purpose I/O	LED1
6	PA15_GPIO	General purpose I/O, SW1	
7	PA12_PWM(P)	PWM, alternatively positive part of differential PWM	
8	PA13_PWM(N)	PWM, alternatively negative part of differential PWM	
9	PA28_IRQ/GPIO	Interrupt request line and/or GPIO	
10	PA27_SPI_SS_B/GPIO	Slave select for SPI and/or GPIO	
11	PA08_TWI_SDA	Data line for I ² C interface, always implemented, bus type	Pin 11 on EXT1, EXT2, Pin 5, U2
12	PA09_TWI_SCL	Clock line for I ² C interface, always implemented, bus type	Pin 12 on EXT1, EXT2, Pi 6, U2
13	PB11_UART_RX	Receiver line of target device UART	Pin 13 on EXT2
14	PB10_UART_TX	Transmitter line of target device UART	Pin 14 on EXT2
15	PA17_SPI_SS_A	Slave select for SPI	
16	PB22_SPI_MOSI	Master out slave out line of serial peripheral interface, always implemented, bus type	Pin 5, U7
17	PB16_SPI_MISO	Master in slave out line of serial peripheral interface, always implemented, bus type	Pin 2, U7
18	PB23_SPI_SCK	Clock for serial peripheral interface, always implemented, bus type	Pin 6, U7
19	DGND	Ground	Ground
20	VDD_3V3	Power for the AppIO Module	Power for the AppIO Module


3.2 Jumpers

This section describes the jumpers on the AppBox D21 CPU Board. All jumpers are located on the bottom side of the circuit board. All jumpers are surface mount jumpers. The figure below shows the location of each jumper.




The table below describes the jumpers on the AppBox D21 CPU Board.

JUMPER NAME	POSITION DESCRIPTION	FACTORY SHIPPED POSITION
JP1	Installed = +5 V power to Pin 1, EXT1	Installed
JP2	Installed = +5 V power to Pin 1, EXT2	Installed
JP3	Installed = +5 V power to Pin 1, EXT3	Installed
JP4	Installed = DGND to Pin 5, U7	Installed
JP7	Installed = +5 V power to Pin 6, J2	Open
JP8	Installed = VDD_3V3, PA13_PWM(N)CS to pin 1, U7	Installed – see warning 1
JP9	Installed = PA13_PWM(N)CS connected to PA13_PWM(N)	Open – see warning 1
JP10	Installed = PA14_WP connected to PA14_WP/VBUS_DETECT, Pin 31, U1	Installed – see warning 2
JP11	Installed = VBUS_DETECT connected to PA14_WP/VBUS_DETECT, Pin 31, U1	Open - see warning 2



WARNING 1 !

Jumpers JP8 and JP9 are used in the same circuit. Only 1 should be installed. If both are installed the circuit could be damaged.



WARNING 2 !

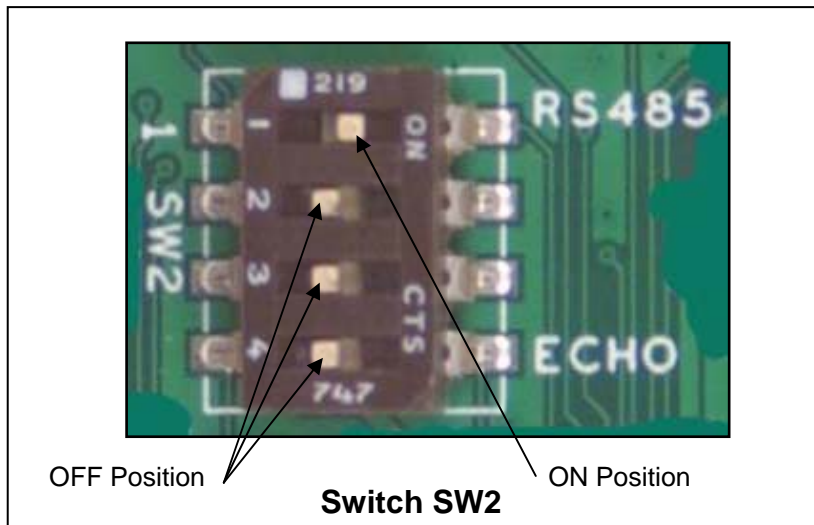
Jumpers JP10 and JP11 are used in the same circuit. Only 1 should be installed. If both are installed the circuit could be damaged.

3.3 Switches

The table below describes the switches on the AppBox D21 CPU Board.

SWITCH NAME	TYPE OF SWITCH	FUNCTION	FACTORY DEFAULT POSITION
SW1	Pushbutton switch	PA15_GPIO	Open
SW2, position 1, on	Rocker switch	Connects RS485A to RS485B RS485 terminator on	X
SW2, position 1, off	Rocker switch	Disconnects RS485A from RS485B RS485 terminator off	
SW2, position 2	Rocker switch	Not used	
SW2, position 3	Rocker switch	Not used	
SW2, position 4, on	Rocker switch	Connects PB31_RS485_EN to RS485_ECHO, RS485 echo	
SW2, position 4, off	Rocker switch	Disconnects PB31_RS485_EN to RS485_ECHO, No RS485 echo	X

The figure below shows the switch, SW2, in the “Factory Default Position”. Switch position 1 is in the “ON” position (slide moved to the right). Switch positions 2, 3, and 4 are in the “OFF” position (slide moved to the left). Positions 2 and 3 are not used on the D31 APP Board.



3.4 LEDs

The table below describes the LED on the AppBox D21 CPU Board.

LED NAME	COLOR	MEANING
LED1	Green	User control, PB30_GPIO

3.5 Test Points

This section discusses the test points on the AppBox D21 CPU Board. All test points are on the top side of the circuit board. Their location is shown in the diagram in section 3.0. The table below describes the test points on the AppBox D21 CPU Board.

TEST POINT NAME	SIGNAL PRESENT
TP1	Input DC voltage, (+12-24 vdc)
TP2	VDD_5V, +5 volts
TP3	DGND

4.0 Physical Characteristics

The physical characteristics of the AppBox D21 are described below:

Enclosure (with flanges): 5.83 in(148.26 mm) x 5.13 in(130.5 mm) x 1.10 in(27.94 mm)

D21 CPU Board (without connectors): L: 4.15 in(105 mm) x W: 2.36 in (60 mm)

D21 CPU Board (width with connectors): W: 2.77 (70.5 mm)

D21 CPU Board (maximum height): H: 0.59 in (15 mm)

Weight of enclosure with controller board: 6 ounces (.17 kg)

Operating Temperature: -0C to +70C

Storage Temperature: -40C to +85 C

Relative Humidity: 0 to 90% (non-condensing)

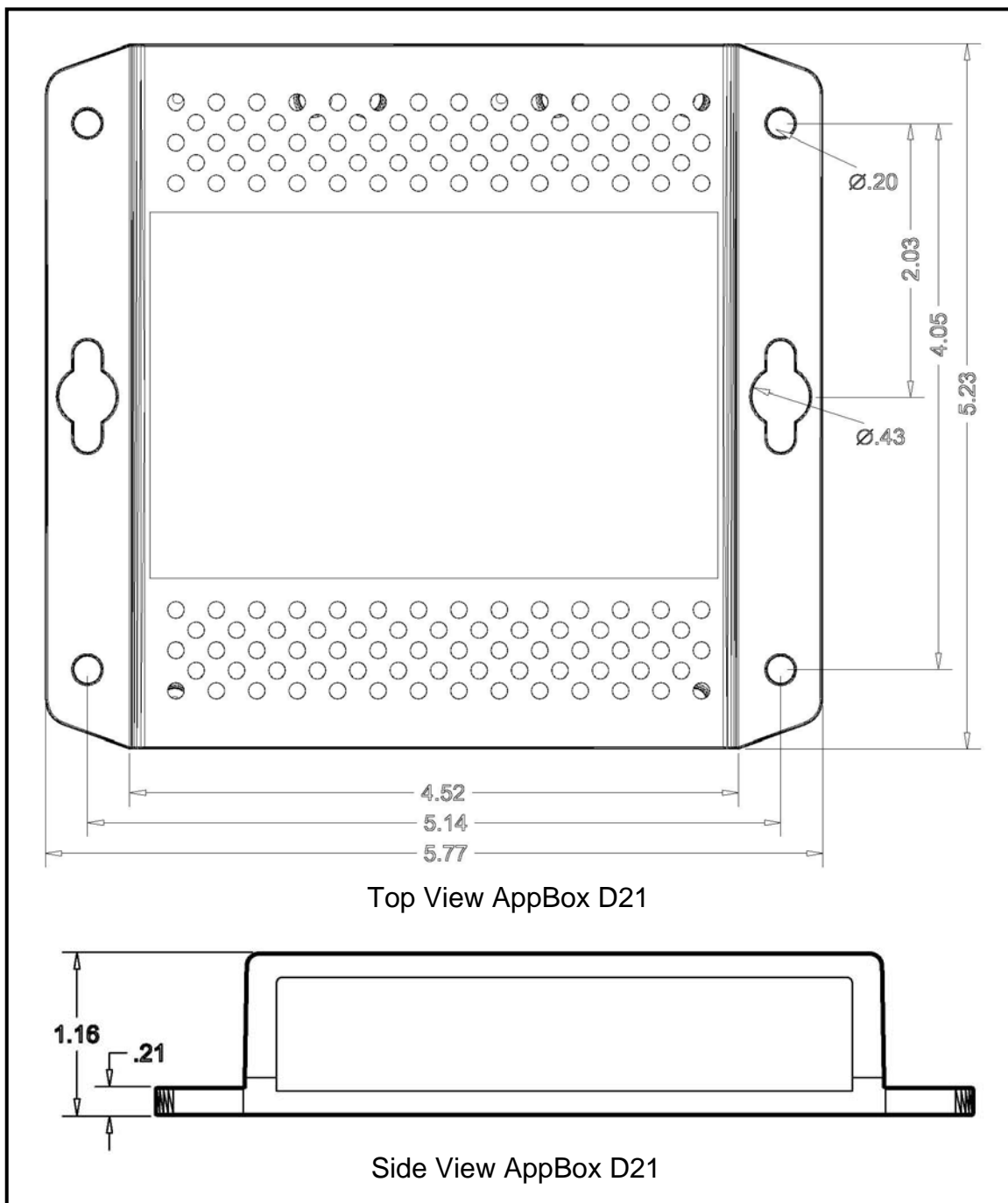
Maximum power consumption of controller board: 1 amp at +12 volts

RoHS Compliant: Yes

5.0 Mechanical Information

The following drawing provides the mechanical information for the AppBox D21. All dimensions are in inches.

Note: Drawing is **NOT** to scale.



6.0 Schematics

The following pages include the schematics for the D21 APP Board inside the AppBox D21.

Notes:

1. Jumpers are on back of board

10	9	8	7	6
5	4	3	2	1

J2

Shared Pins	
PA8_TWI_SDA	EXT1-3, CAT24C512
PA9_TWI_SCL	EXT1-3, CAT24C512
PA13_FWM(N)/CS	EXT3, AT25DF081A
PA14_WP/VBUS_DETECT	VBUS_DETECT, CAT24C512
PA15_GPIO	EXT3_SW1
PB10_UART_TX	EXT2-3
PB11_UART_RX	EXT2-3
PB16_SPI_MISO	EXT3, AT25DF081A
PB22_SPI_MOSI	EXT3, AT25DF081A
PB23_SPI_SCK	EXT3, AT25DF081A
PB30_GPIO	EXT3, LED1

SWITCH	Pos	Function
SW2-1	On	RS458 Termination
SW2-2		
SW2-3		
SW2-4	Off	RS485 Echo

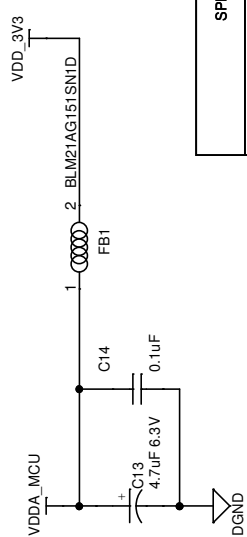
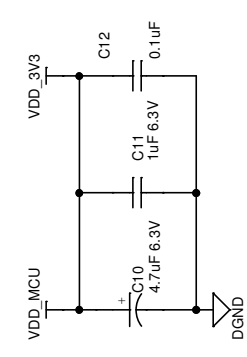
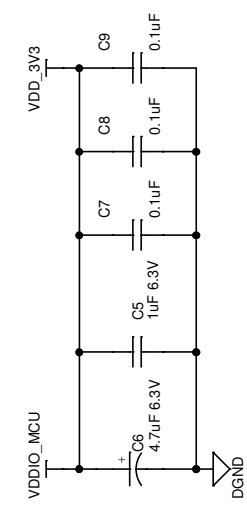
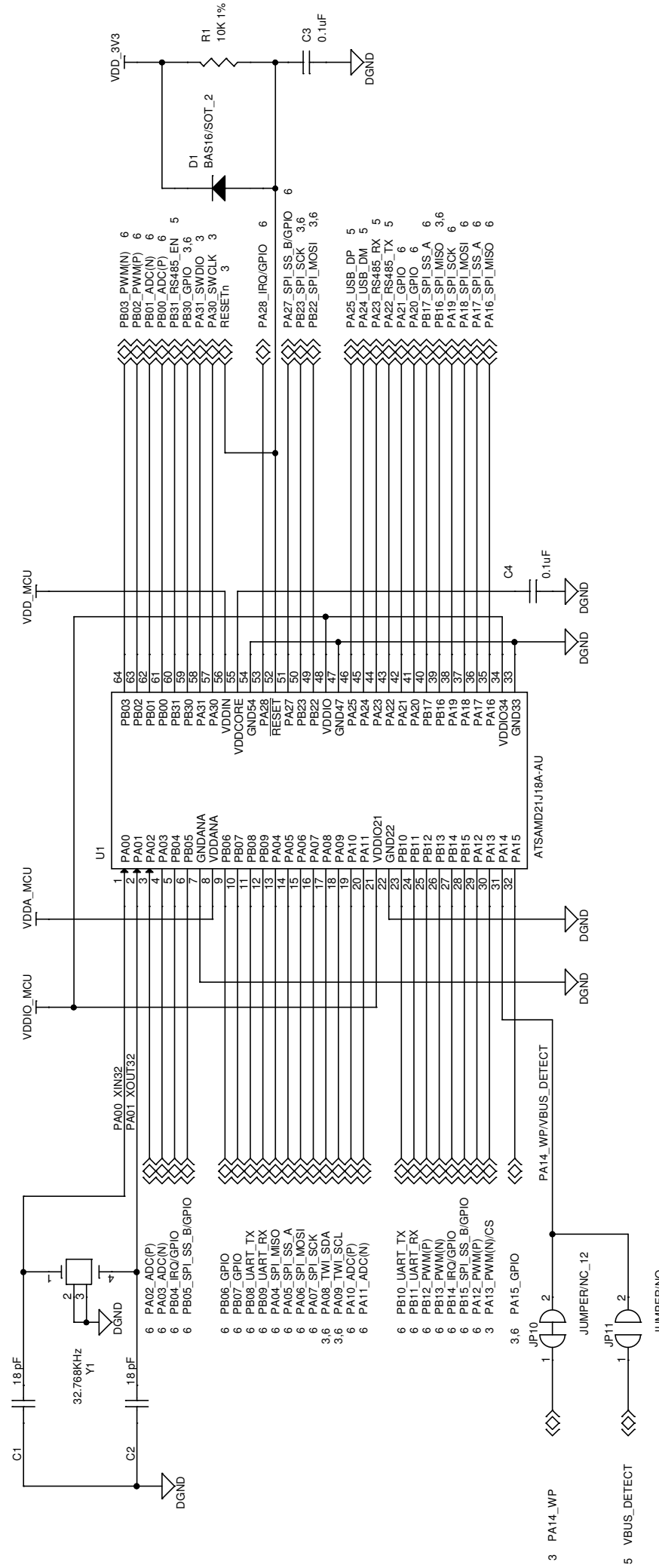
SPECTRUM DIGITAL INCORPORATED

Title: D21 APPLICATION BOARD

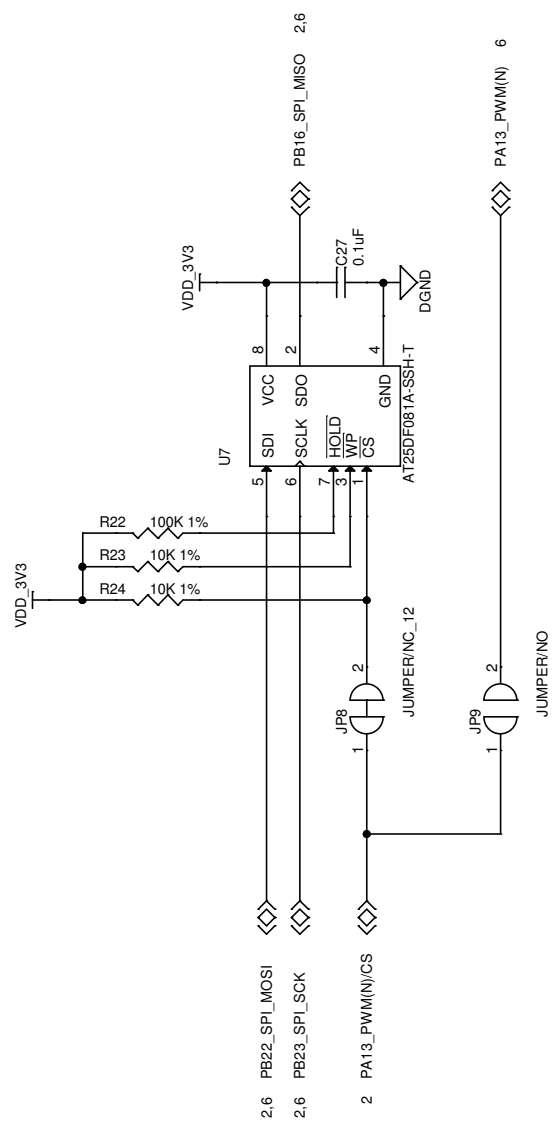
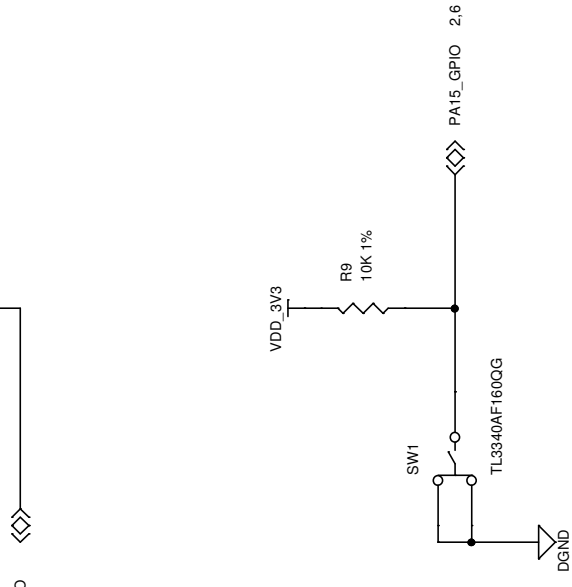
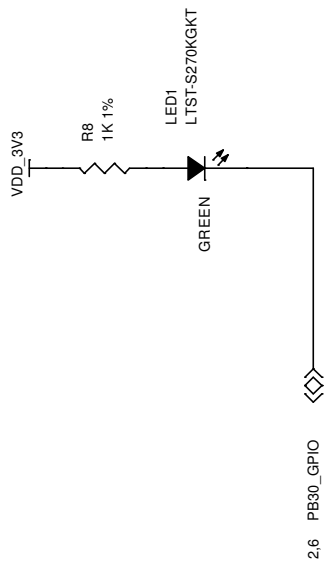
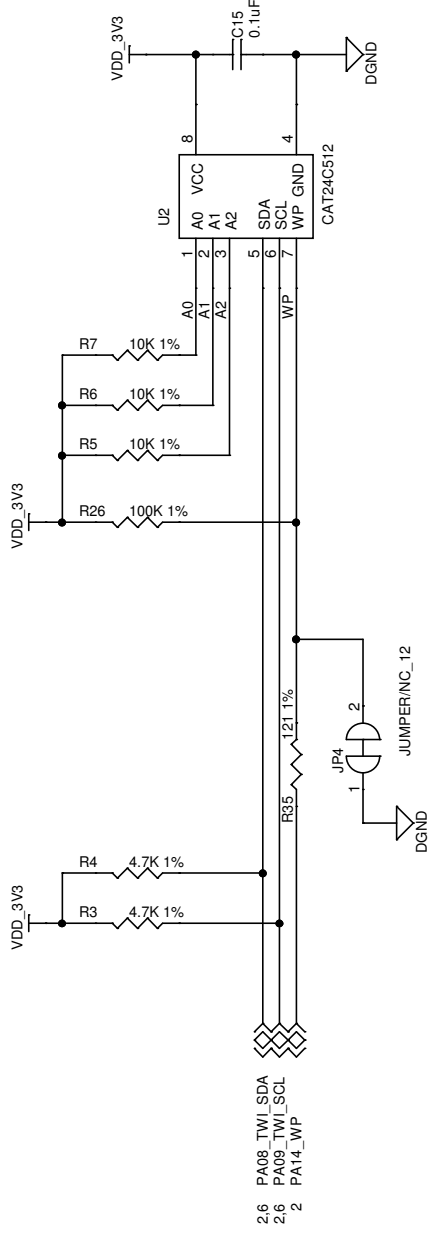
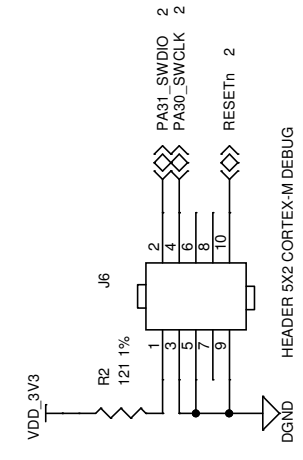
Page Contents: TITLE

Size: B DWG NO 519102 Revision: D

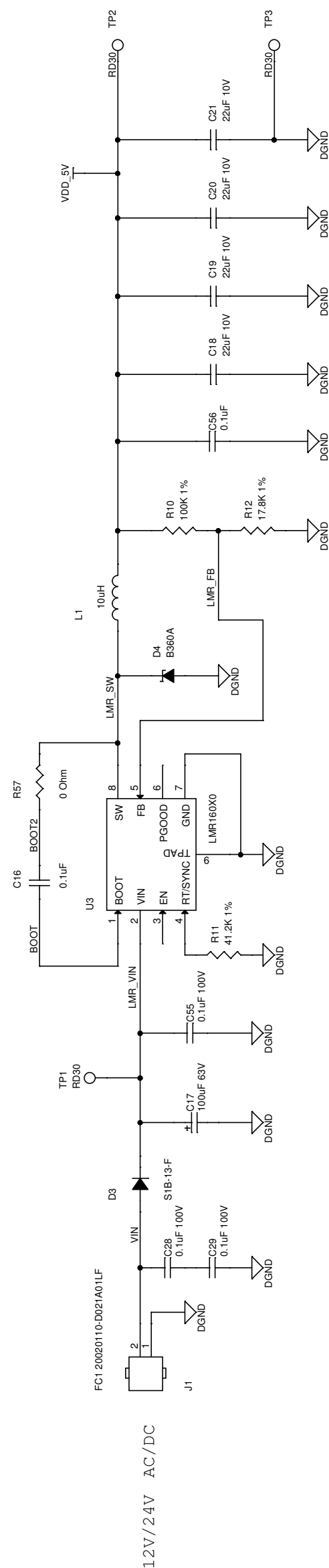
Date: Friday, March 13, 2020 Sheet 1 of 6



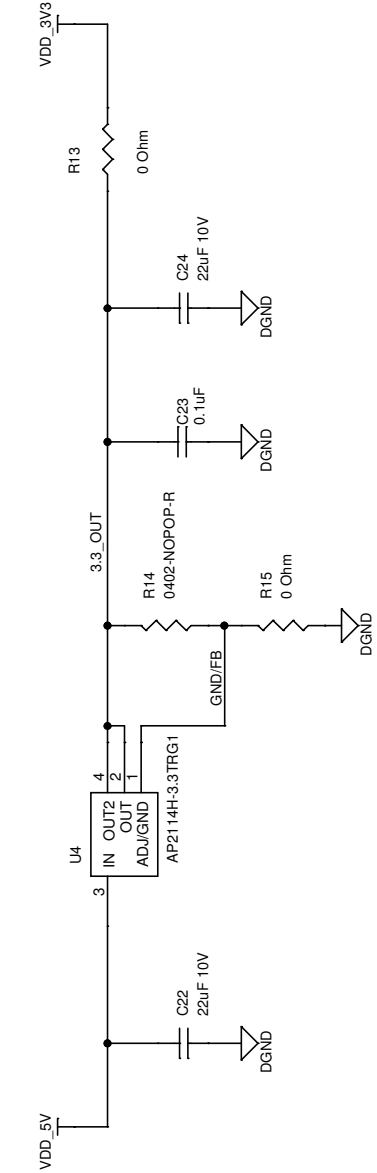
SPECTRUM DIGITAL INCORPORATED			
Title:	D21 APPLICATION BOARD		
Page Contents:	MCU1		
Size: B	DWG NO	519102	Revision: D
Date: Friday, March 13, 2020	Sheet 2 of 6		6



SPECTRUM DIGITAL INCORPORATED	
Title:	D21 APPLICATION BOARD
Page Contents:	MCU2
Size:B	DWG NO 519102
Date: Friday, March 13, 2020	Revision: D
Sheet 3 of 6	

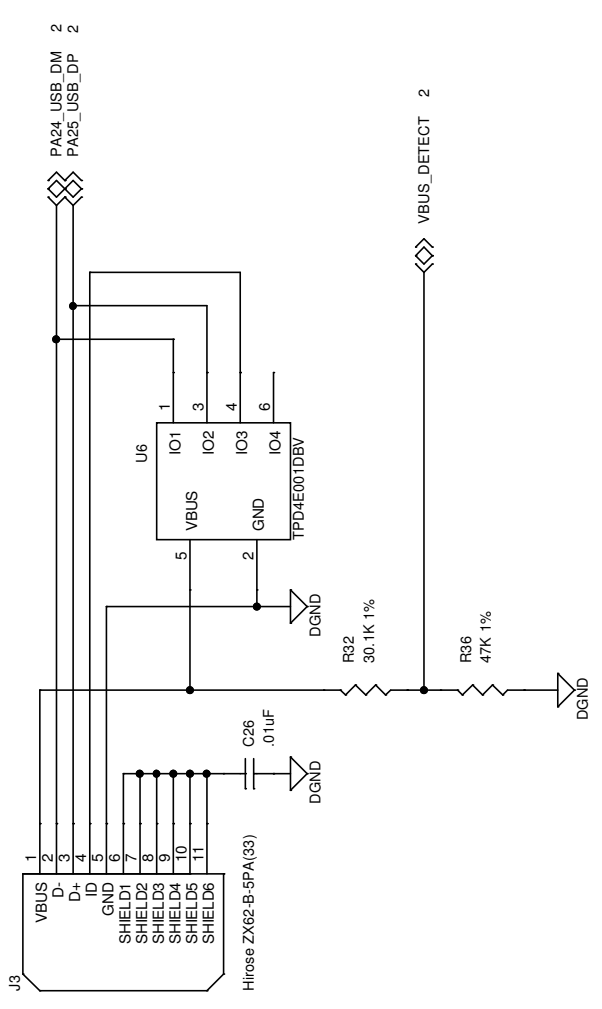
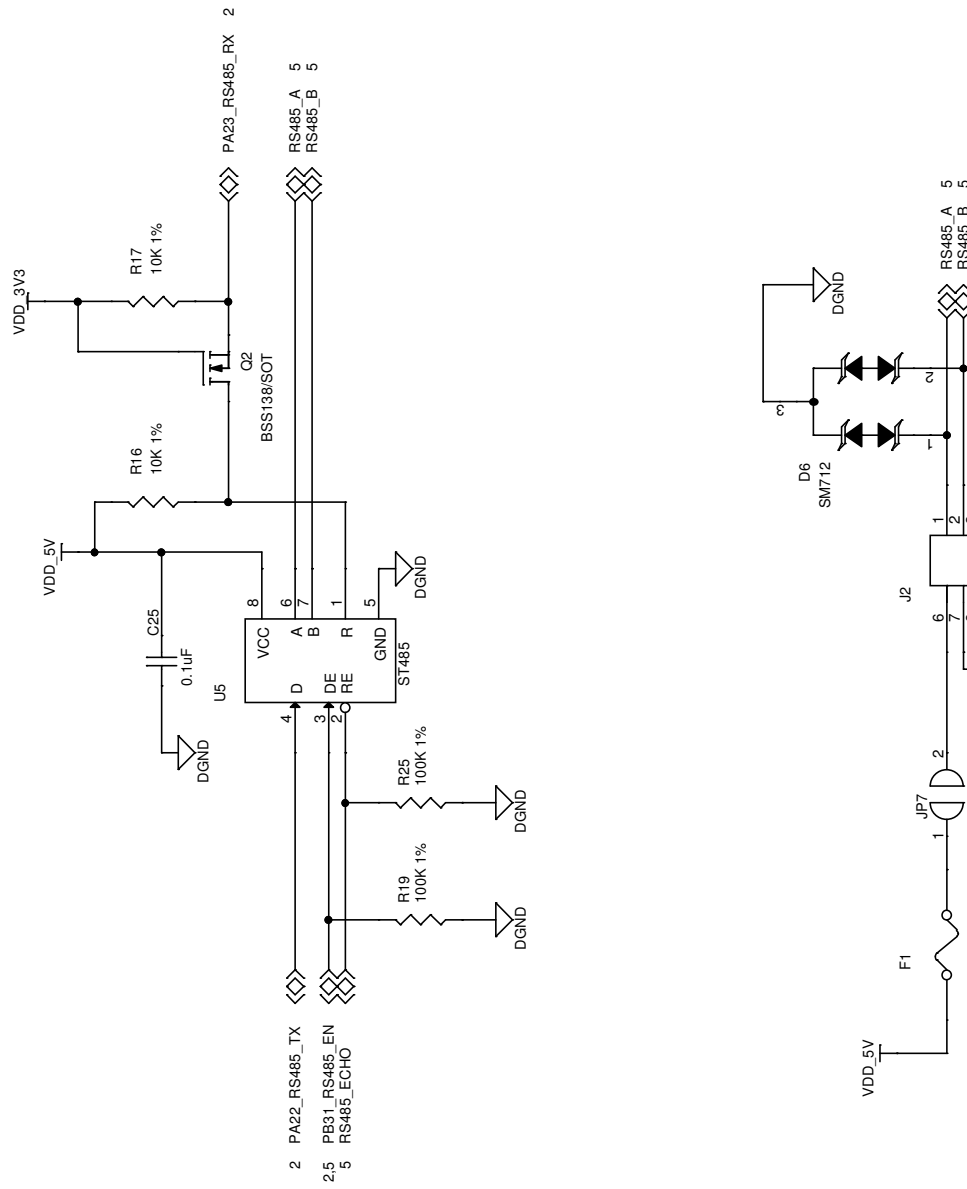


AZ1117EH-Adj 442 Ohm 732 Ohm
 AP2114H NO-POP 0 Ohm

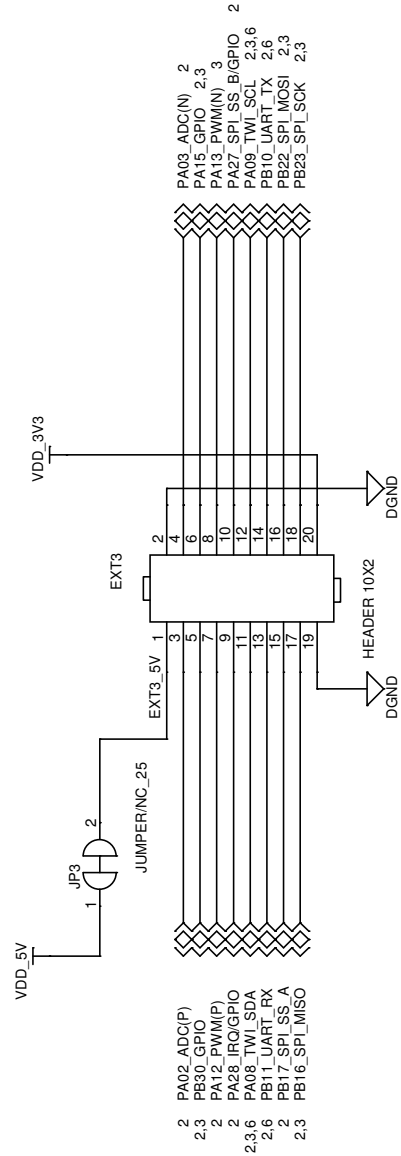
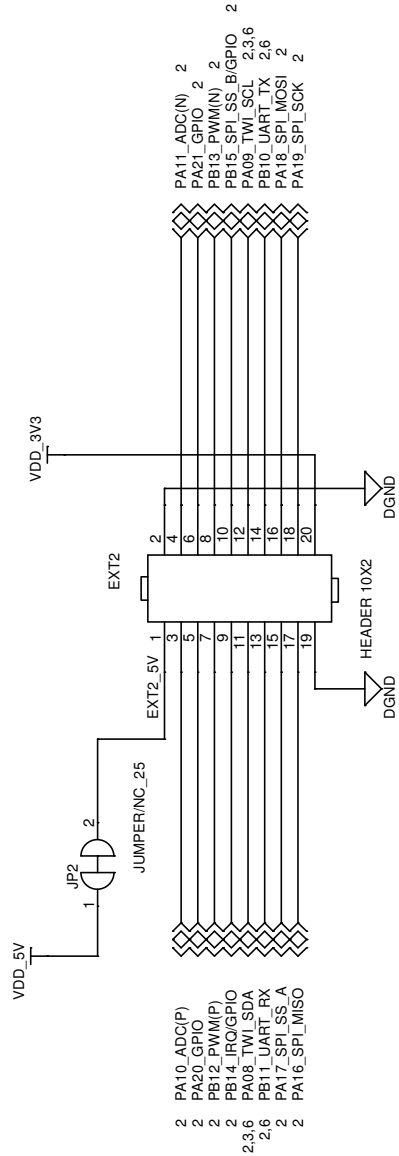
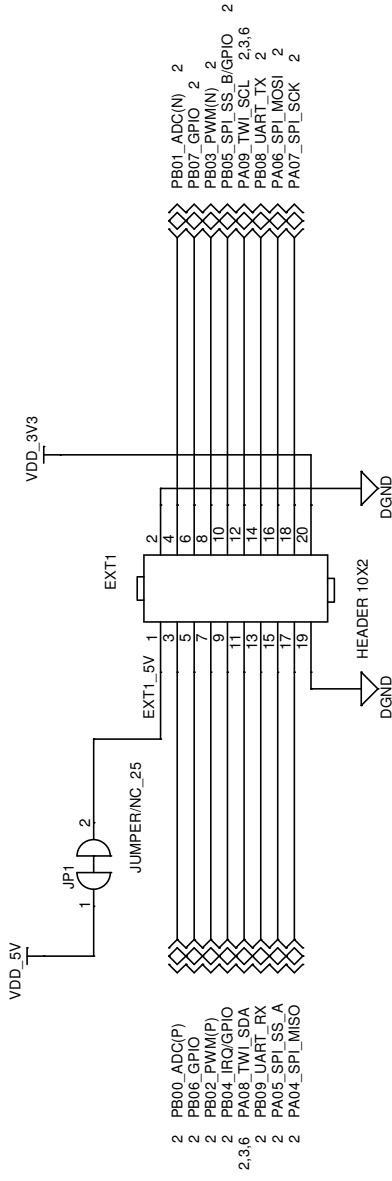


1.2V/24V AC/DC

SPECTRUM DIGITAL INCORPORATED	
Title:	D21 APPLICATION BOARD
Page Contents:	POWER
Size:B	DWG NO 519102
Date: Friday, March 13, 2020	Revision: D
Sheet 4 of 6	



SPECTRUM DIGITAL INCORPORATED			
Title:	D21 APPLICATION BOARD		
Page Contents:	COMM		
Size:	B	DWG NO	519102
Date:	Friday, March 13, 2020	Revision:	D
		Sheet	5 of 6



SPECTRUM DIGITAL INCORPORATED

Title: D21 APPLICATION BOARD

Page Contents: EXPANSION

Size: B DWG NO 519102 Revision: D

Date: Friday, March 13, 2020

Sheet 6 of 6

Spectrum Digital, Inc
PO Box 1559
Sugar Land, TX. 77487-1559

Web site: www.spectrumdigital.com
Sales: sales@spectrumdigital.com
Support: support@spectrumdigital.com

Copyright Spectrum Digital Inc, © 2020

519108-4001