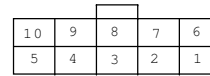


NOTES:

1. JUMPER/NO and JUMPER/NC on back of board

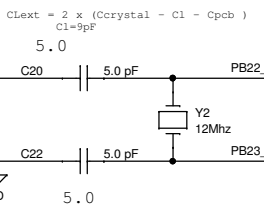
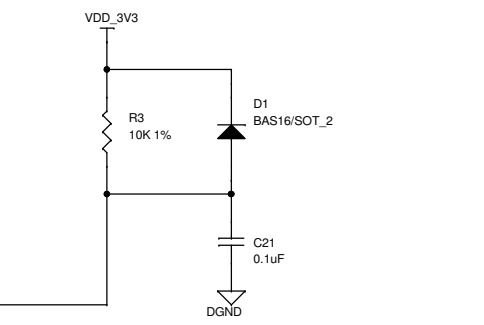
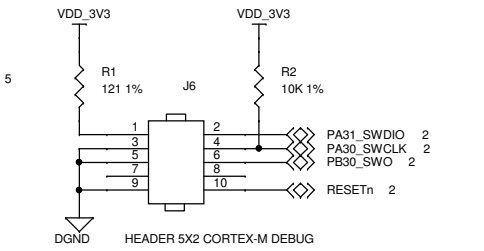
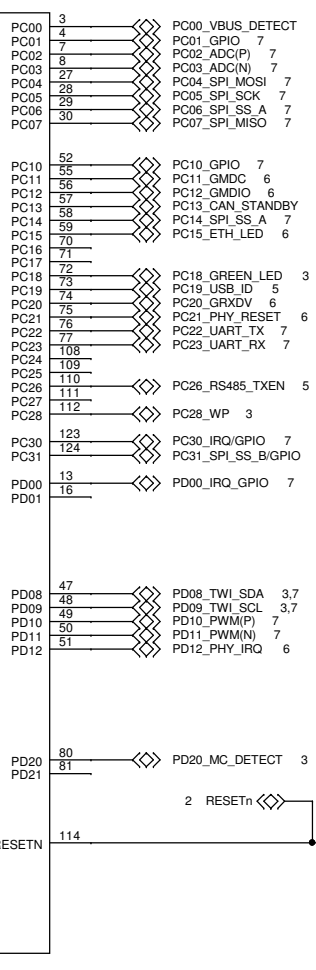
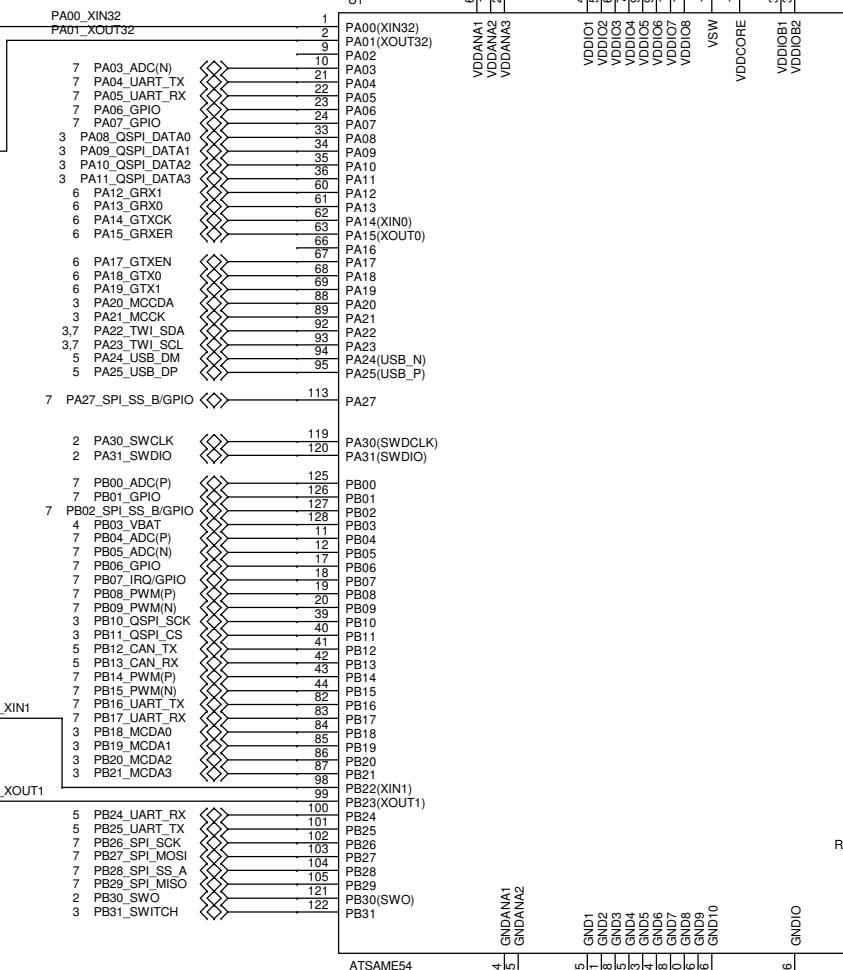
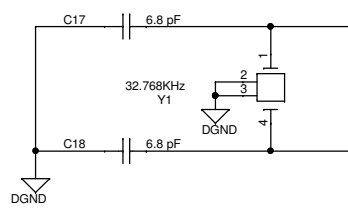
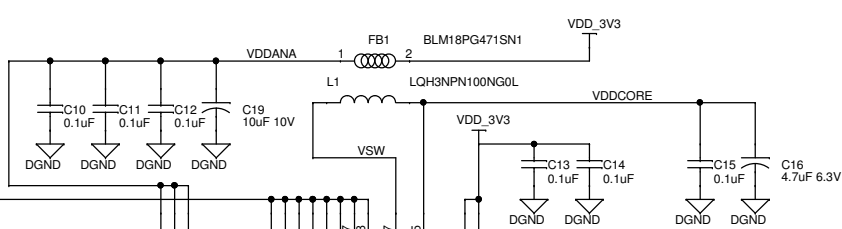
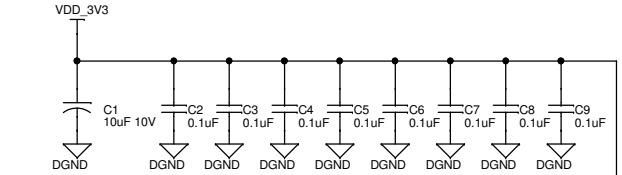


J2

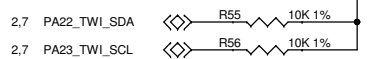
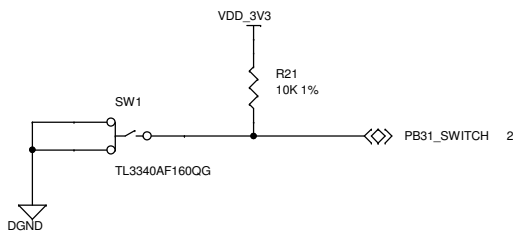
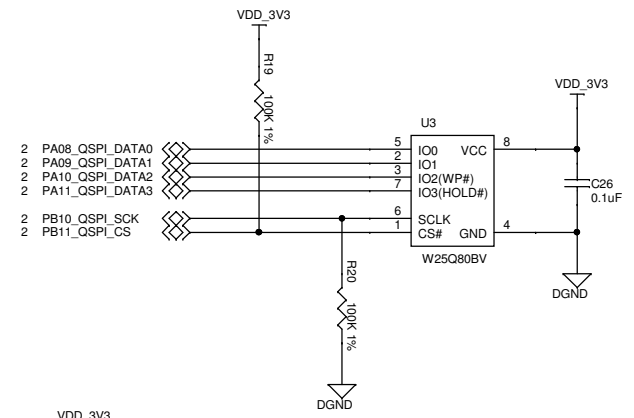
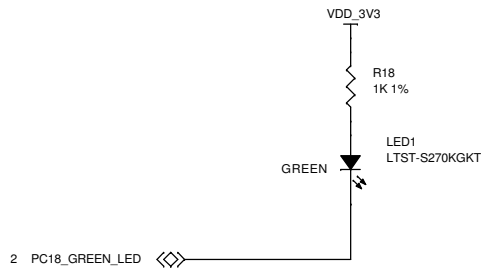
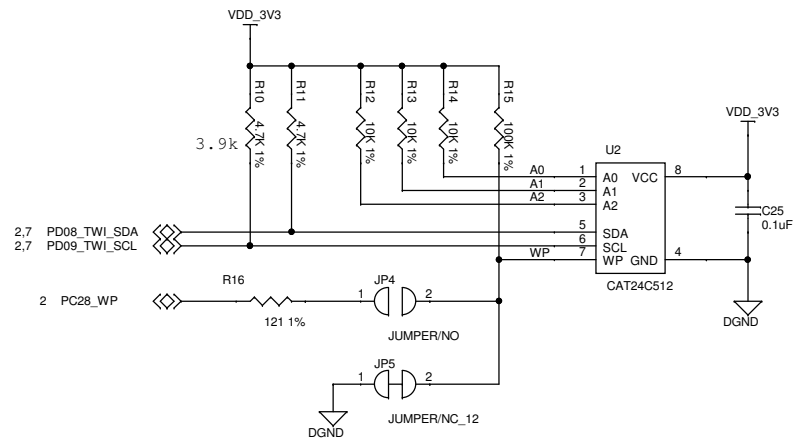
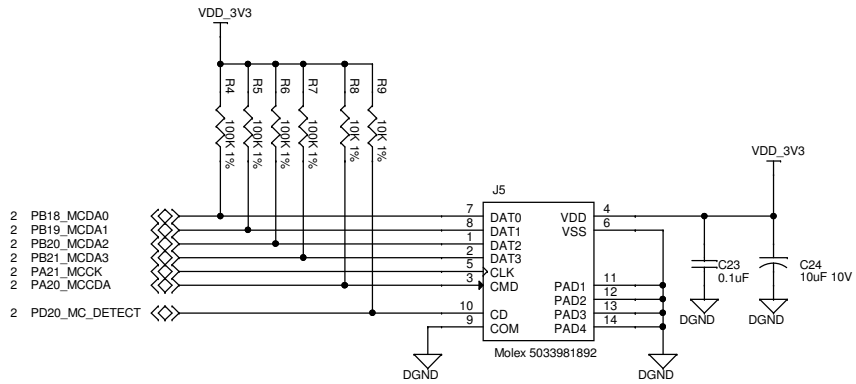
Shared Pins	
PA22_TWI_SDA	EXT1, CAT24C512
PA23_TWI_SCL	EXT1, CAT24C512
PC04_SPI_MOSI	EXT2-3
PC05_SPI_SCK	EXT2-3
PC07_SPI_MISO	EXT2-3
PD08_TWI_SDA	EXT2-3
PD09_TWI_SCL	EXT2-3

SWITCH	Pos	Function
SW2-1	On	RS458 Termination
SW2-2	On	CAN Termination
SW2-3	-	-
SW2-4	Off	RS485 Echo

SPECTRUM DIGITAL INCORPORATED			
Title: E54 APPLICATION BOARD			
Page Contents: TITLE			
Size: B	DWG NO	519192	Revision: B
Date: Friday, March 13, 2020			Sheet 1 of 7

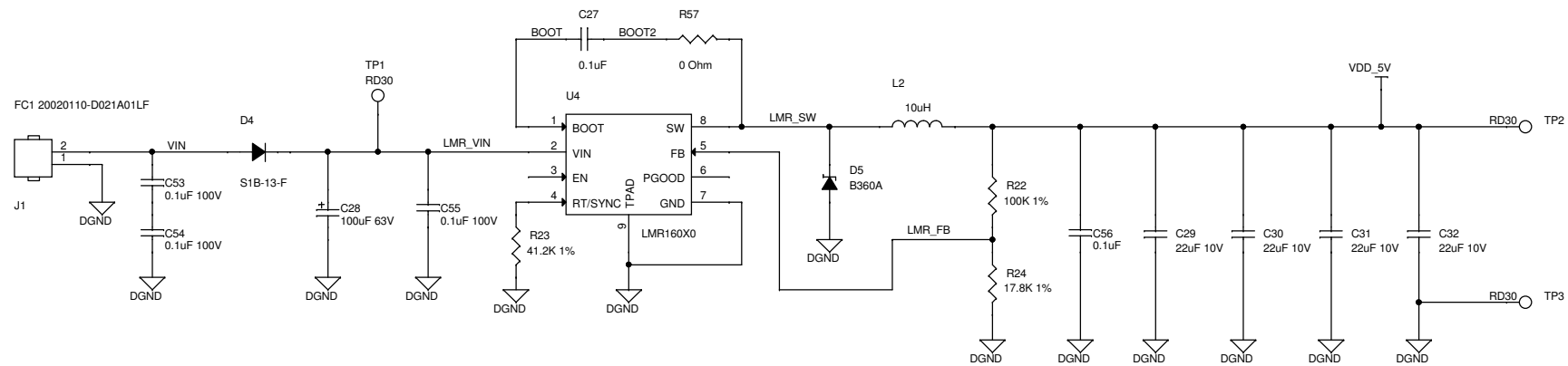


SPECTRUM DIGITAL INCORPORATED			
Title: E54 APPLICATION BOARD			
Page Contents: MCU			
Size: B	DWG NO	519192	Revision: B
Date: Friday, March 13, 2020	Sheet 2 of 7		

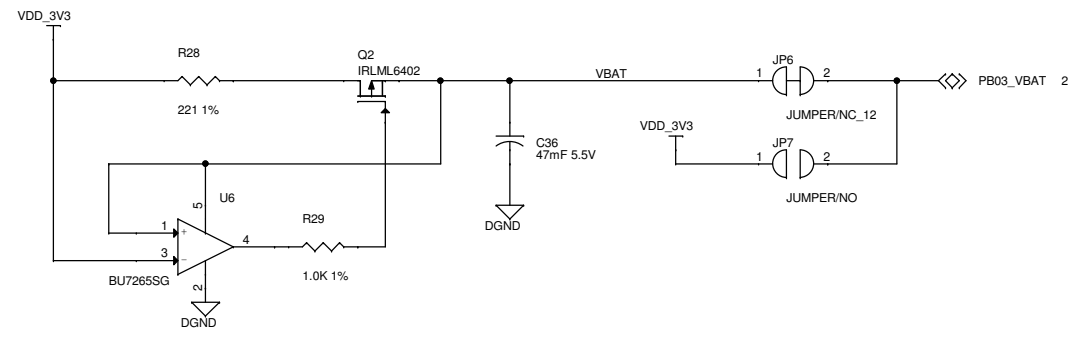
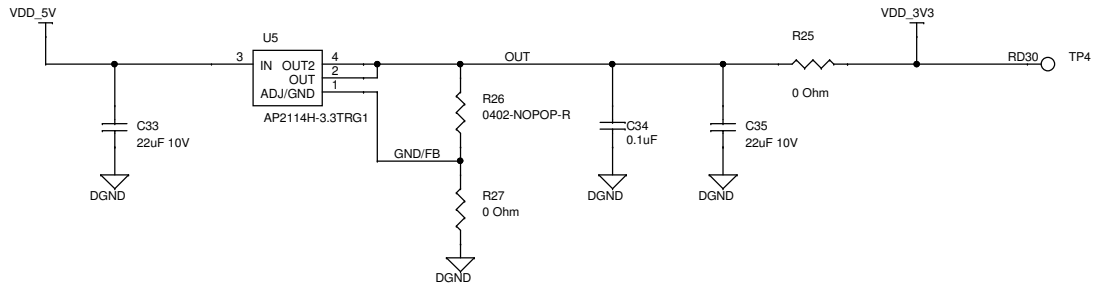


<b>SPECTRUM DIGITAL INCORPORATED</b>			
<b>Title: E54 APPLICATION BOARD</b>			
<b>Page Contents: MEMORY</b>			
<b>Size: B</b>	<b>DWG NO</b>	<b>519192</b>	<b>Revision: B</b>
<b>Date: Friday, March 13, 2020</b>			<b>Sheet 3 of 7</b>

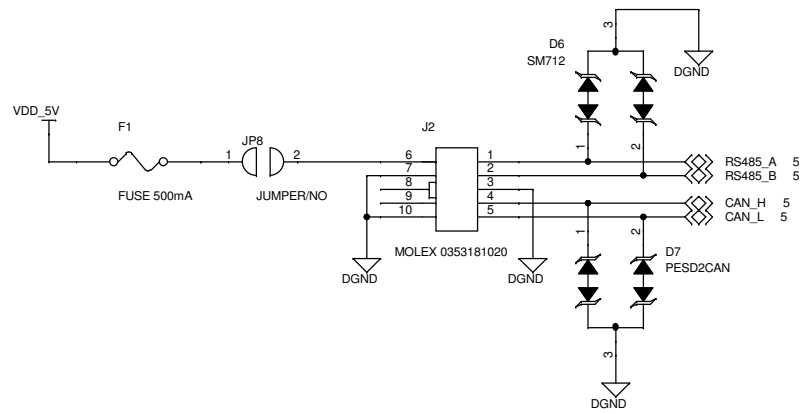
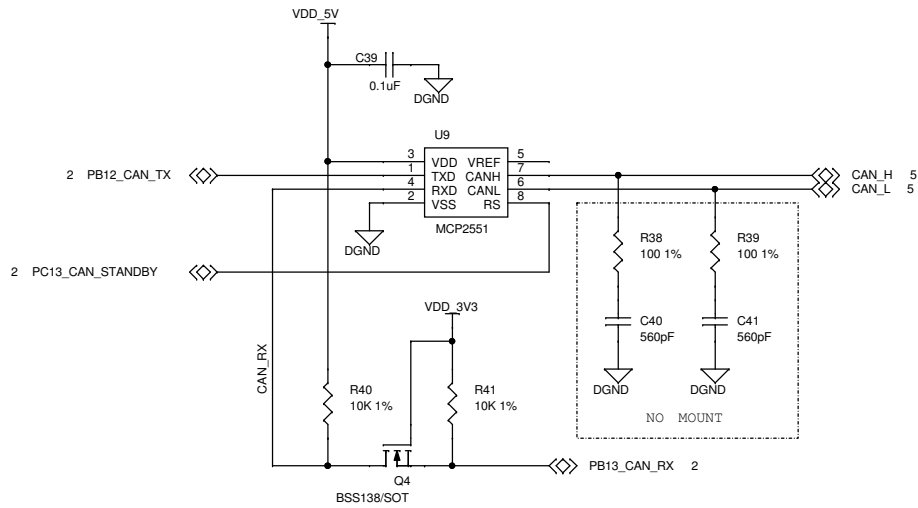
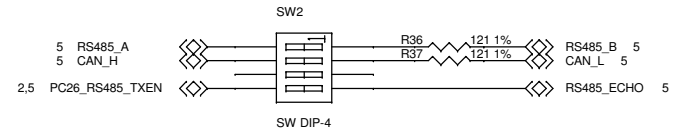
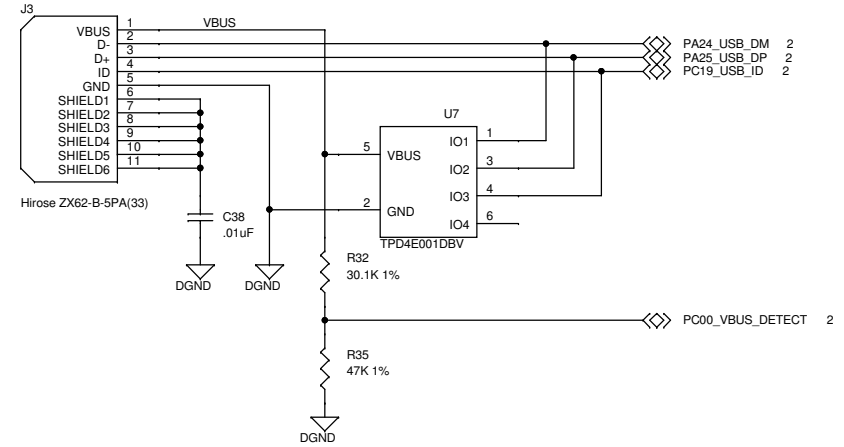
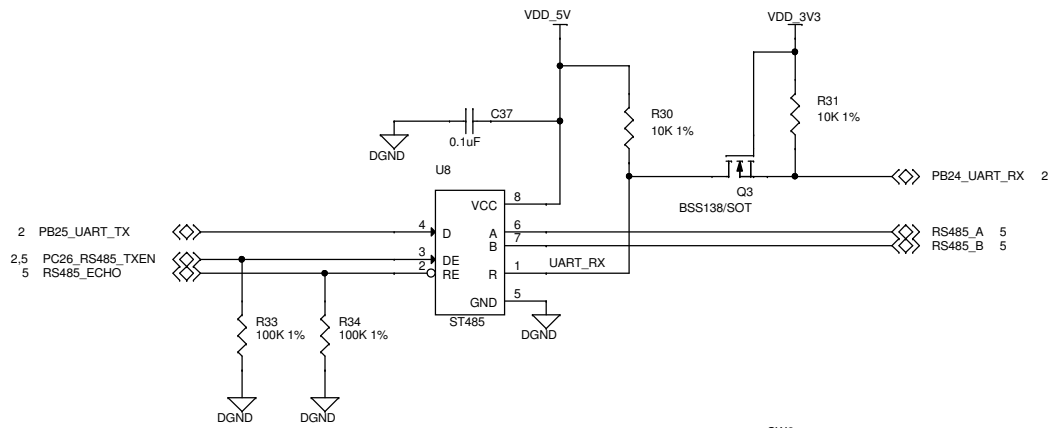
12V/24V AC/DC



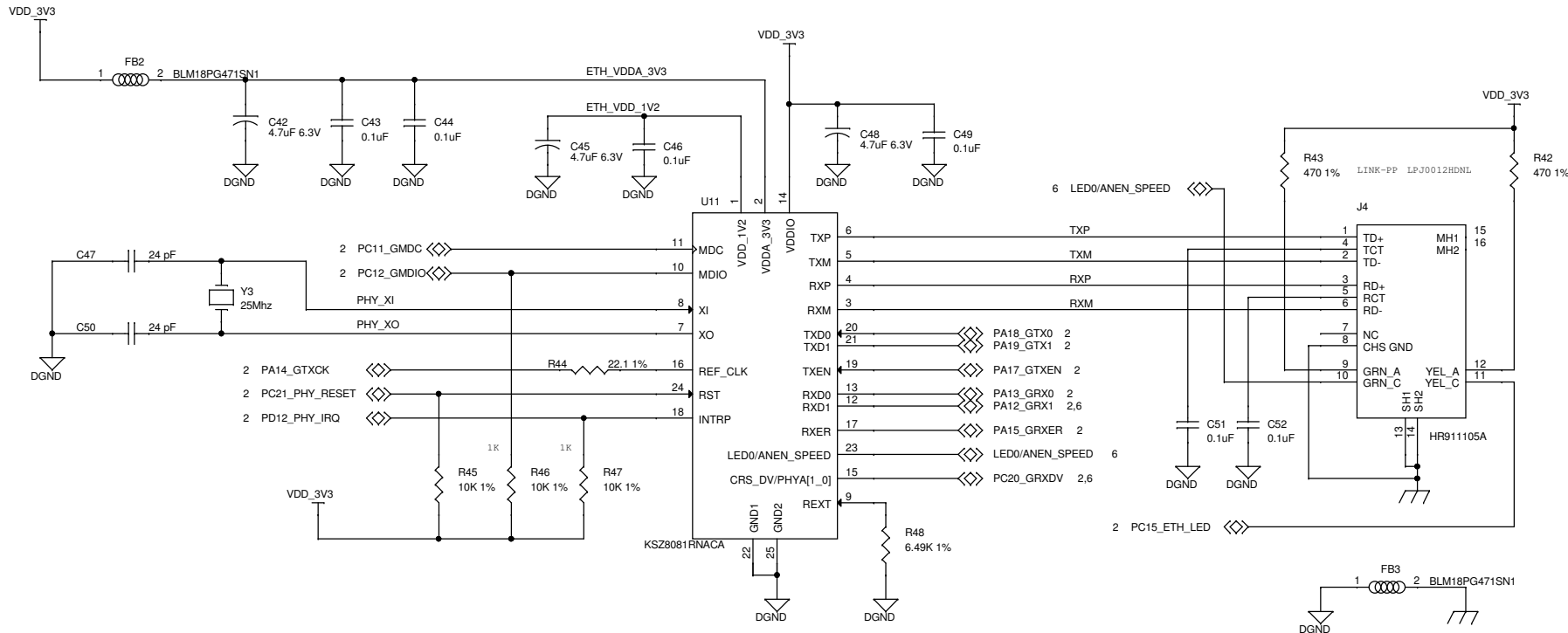
AZ1117EH-ADJ 442 Ohm 732 Ohm  
AP2114H NO-POP 0 Ohm



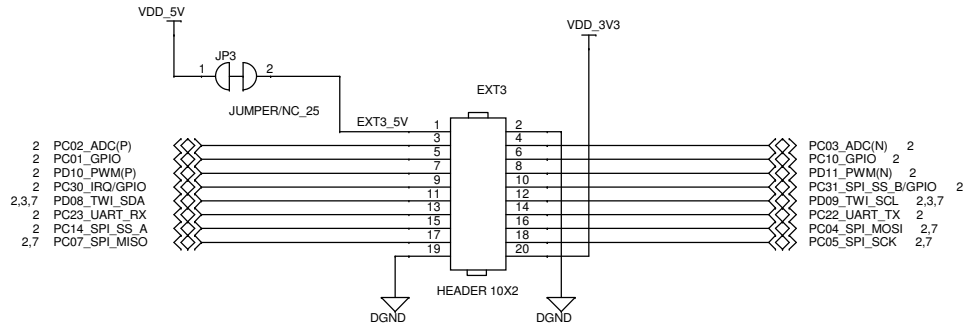
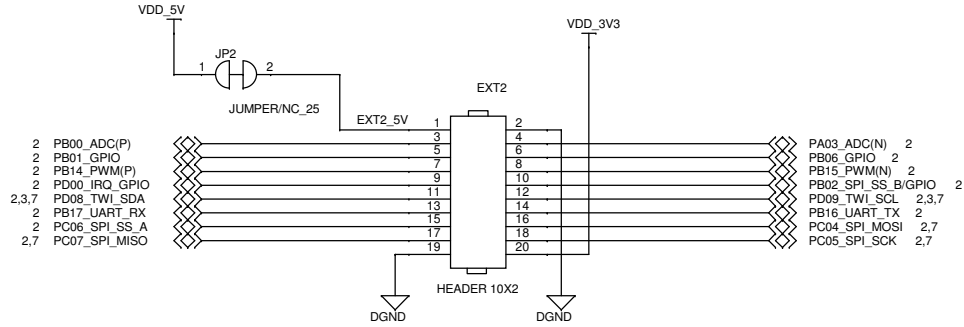
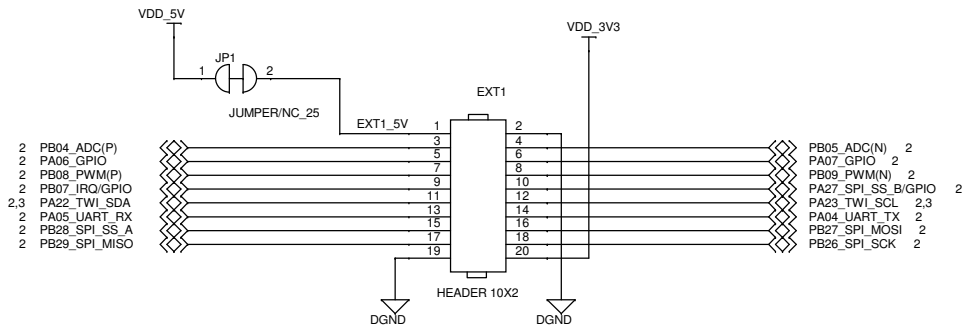
SPECTRUM DIGITAL INCORPORATED			
Title:		E70 APPLICATION BOARD	
Page Contents:		POWER	
Size: B	DWG NO	519192	Revision: B
Date: Friday, March 13, 2020			Sheet 4 of 7



<b>SPECTRUM DIGITAL INCORPORATED</b>			
<b>Title: E54 APPLICATION BOARD</b>			
<b>Page Contents: COM</b>			
<b>Size: B</b>	<b>DWG NO</b>	<b>519192</b>	<b>Revision: B</b>
<b>Date: Friday, March 13, 2020</b>			<b>Sheet 5 of 7</b>



<b>SPECTRUM DIGITAL INCORPORATED</b>			
Title: E54 APPLICATION BOARD			
Page Contents: ETHERNET			
Size: B	DWG NO	519192	Revision: B
Date: Friday, March 13, 2020			Sheet 6 of 7



<b>SPECTRUM DIGITAL INCORPORATED</b>			
<b>Title: E54 APPLICATION BOARD</b>			
<b>Page Contents: EXPANSION</b>			
<b>Size: B</b>	<b>DWG NO</b>	<b>519192</b>	<b>Revision: B</b>
<b>Date: Friday, March 13, 2020</b>			<b>Sheet 7 of 7</b>