

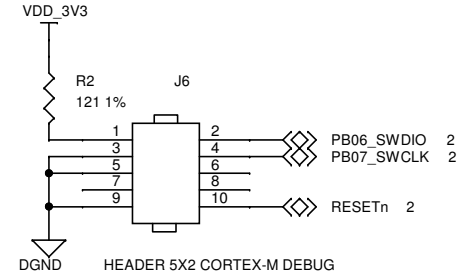
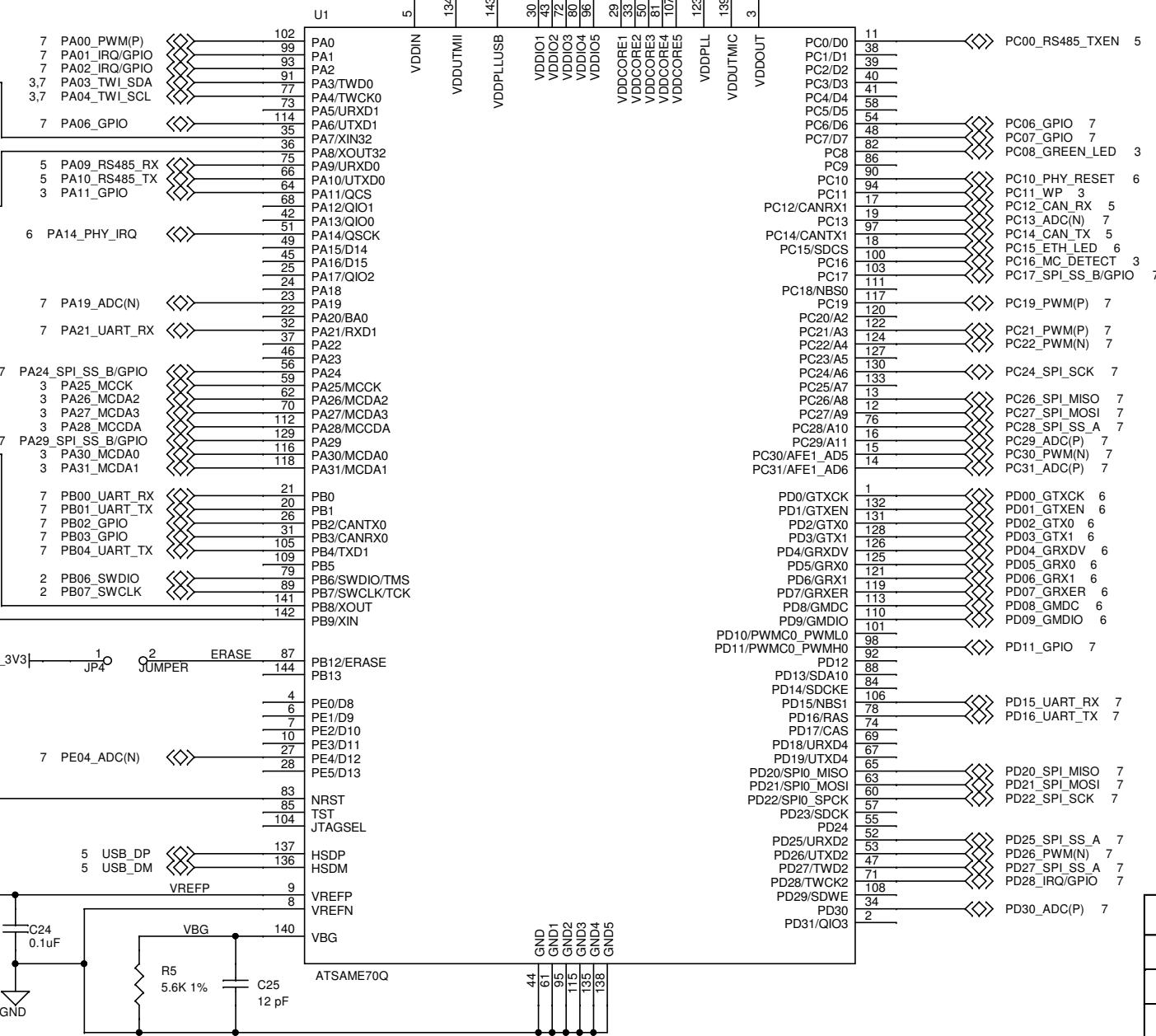
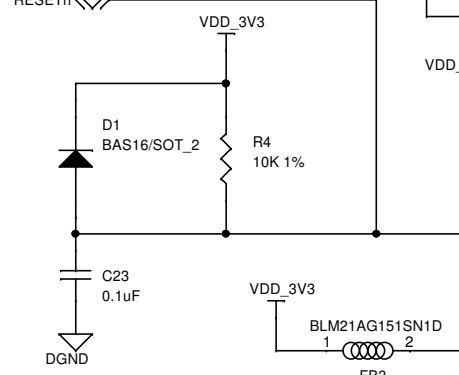
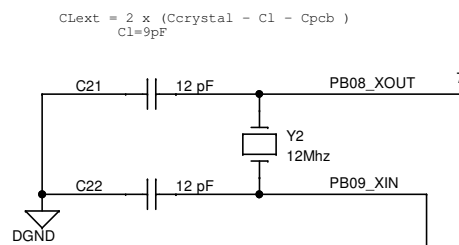
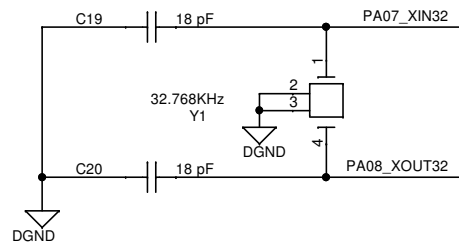
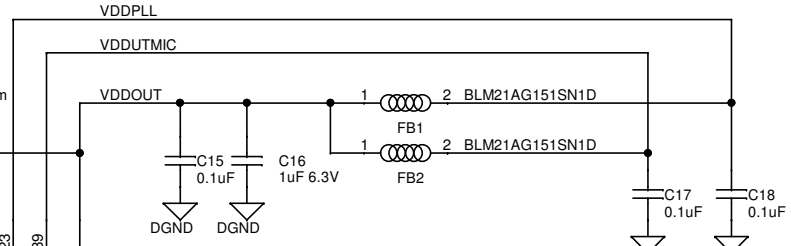
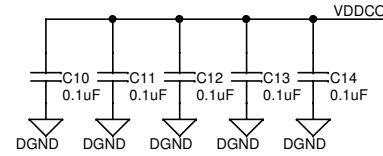
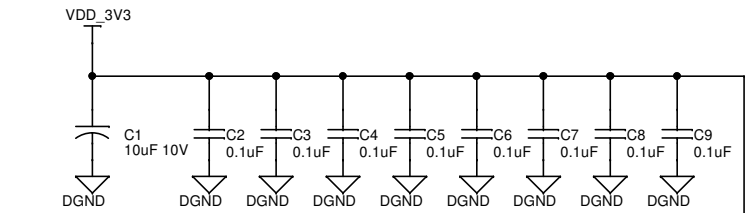
10	9	8	7	6
5	4	3	2	1

J2

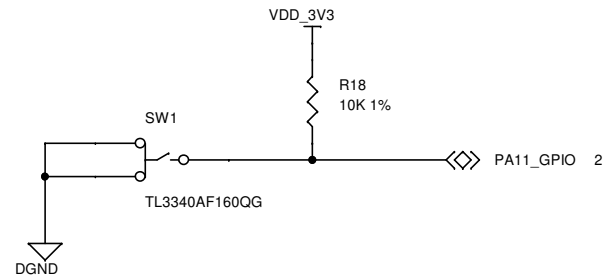
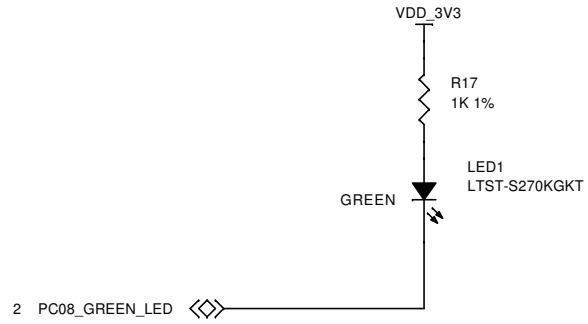
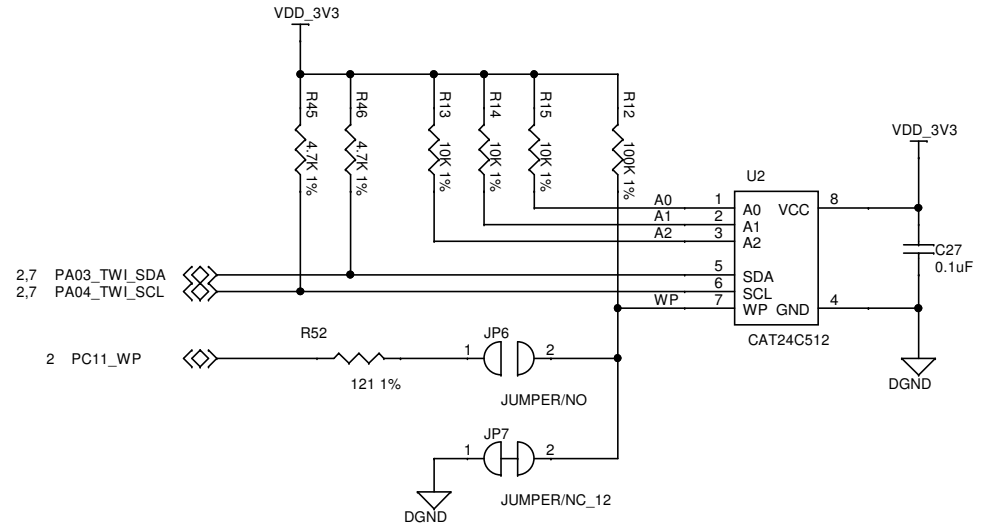
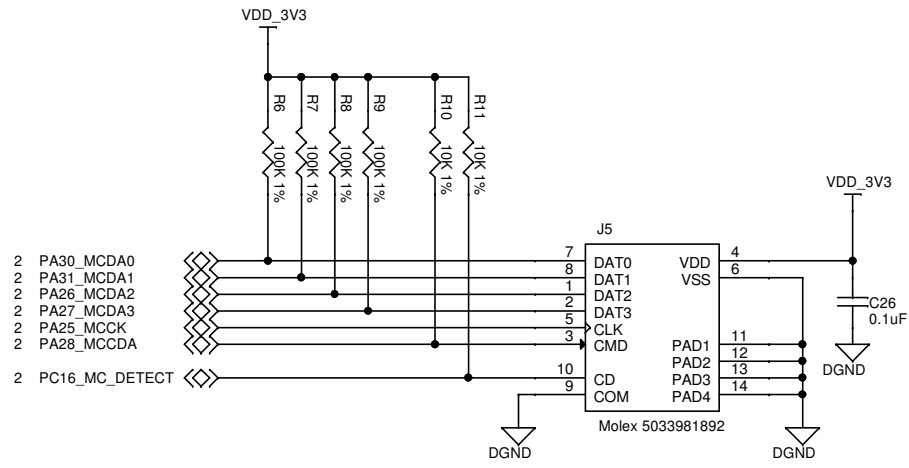
Shared Pins	
PA3_TWI_SDA	EXT1-3, CAT24C512
PA4_TWI_SCL	EXT1-3, CAT24C512
PD20_SPI_MISO	EXT1-2
PD21_SPI_MOSI	EXT1-2
PD22_SPI_SCK	EXT1-2

SWITCH	Pos	Function
SW2-1	On	RS458 Termination
SW2-2	On	CAN Termination
SW2-3	--	
SW2-4	Off	RS485 Echo

SPECTRUM DIGITAL INCORPORATED			
Title: E70 APPLICATION BOARD			
Page Contents: TITLE			
Size: B	DWG NO	519112	Revision: D
Date: Friday, March 13, 2020			Sheet 1 of 7

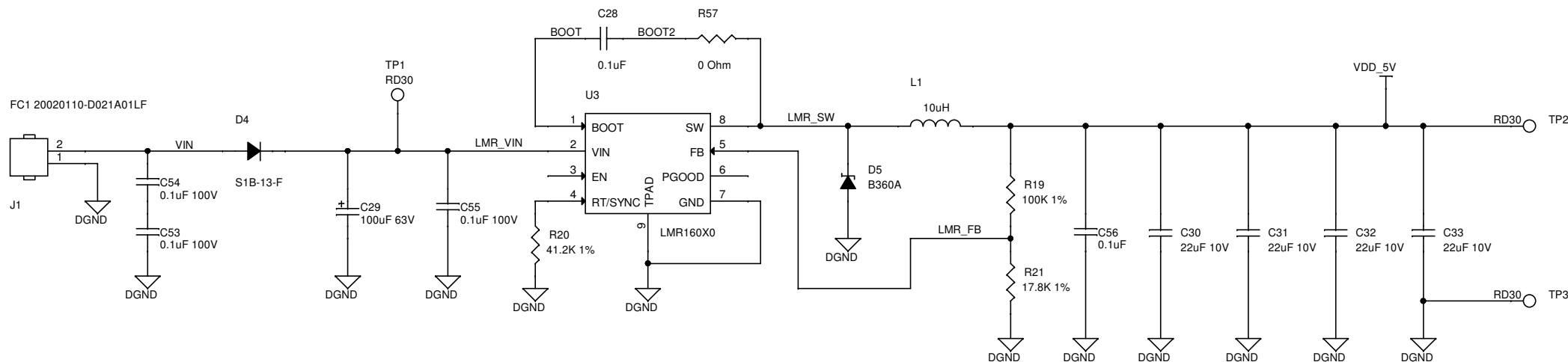


SPECTRUM DIGITAL INCORPORATED			
Title: E70 APPLICATION BOARD			
Page Contents: MCU			
Size: B	DWG NO	519112	Revision: D
Date: Friday, March 13, 2020		Sheet 2 of 7	

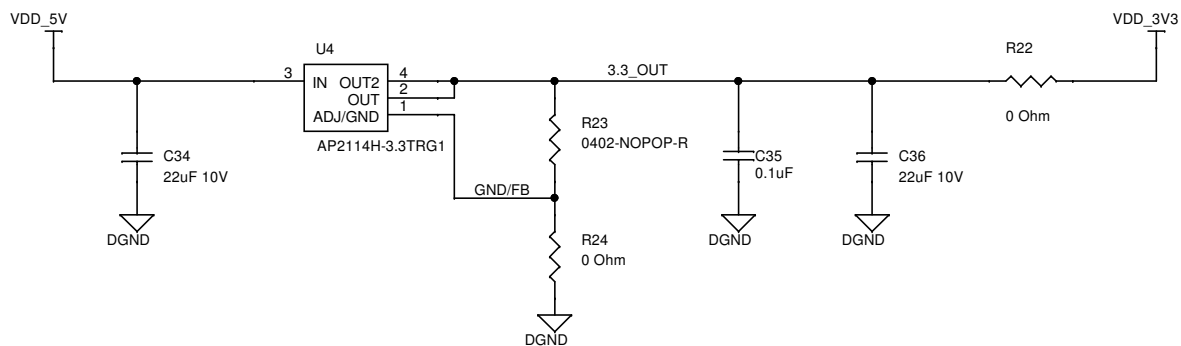


SPECTRUM DIGITAL INCORPORATED			
Title: E70 APPLICATION BOARD			
Page Contents: MEMORY			
Size: B	DWG NO	519112	Revision: D
Date: Friday, March 13, 2020			Sheet 3 of 7

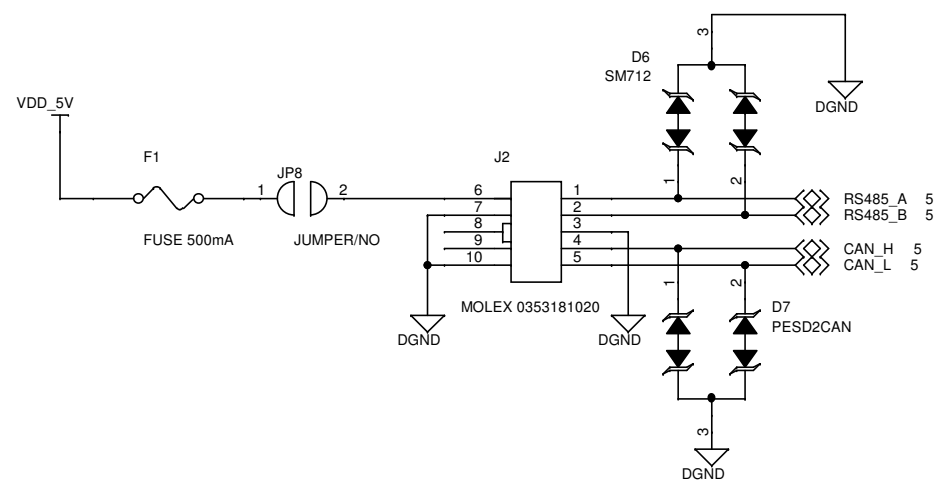
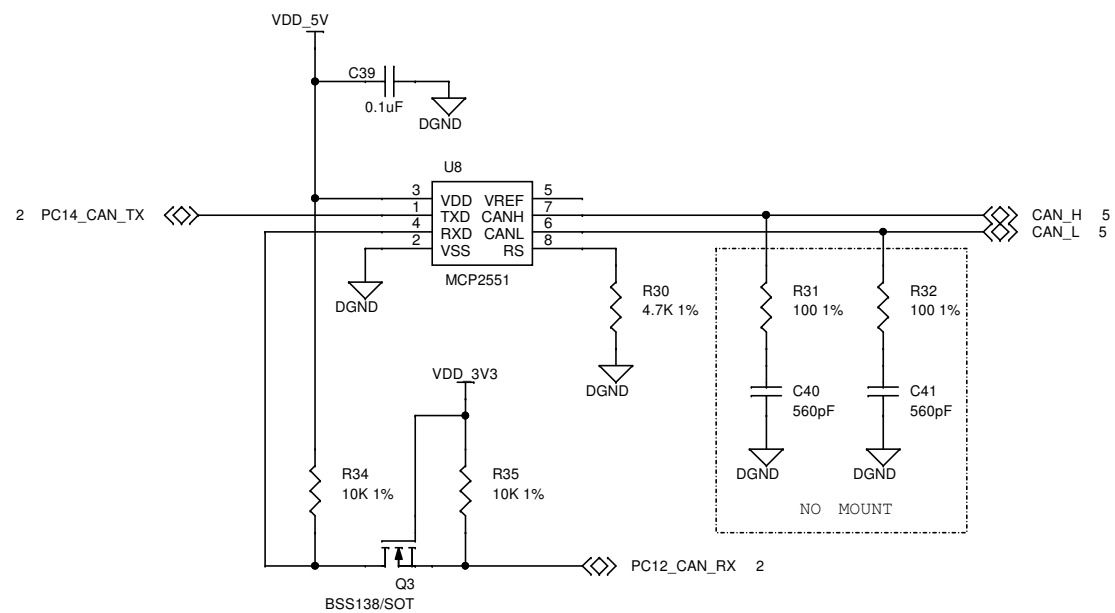
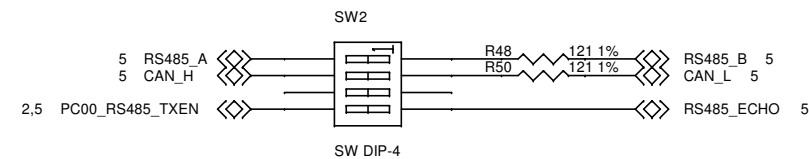
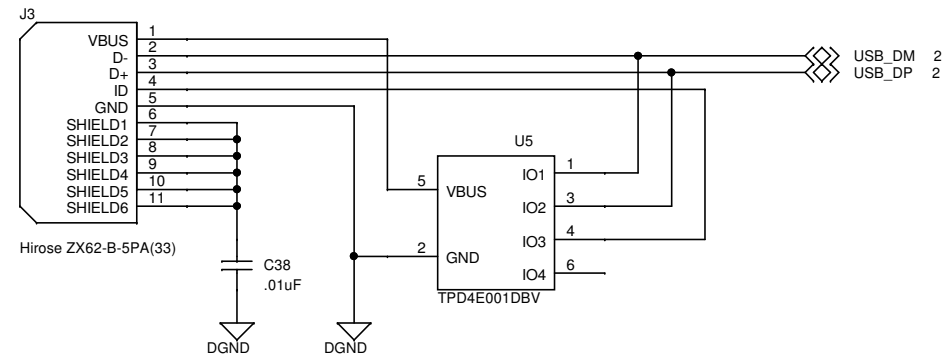
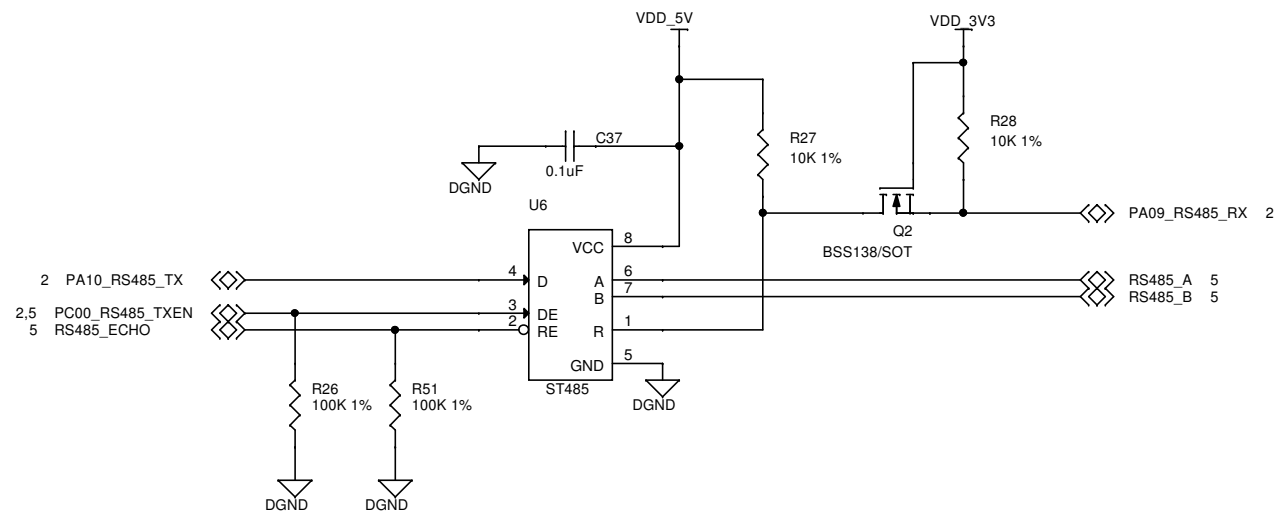
12V/24V AC/DC



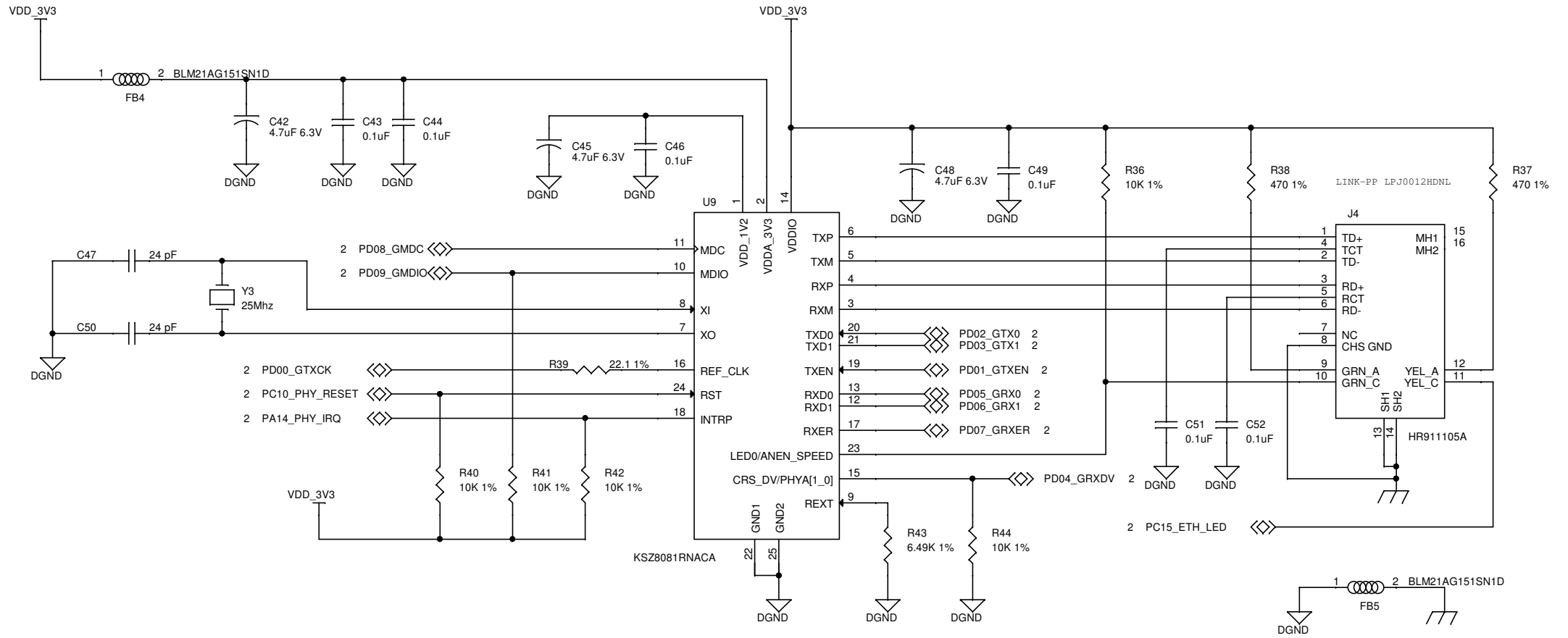
AZ1117EH-ADJ 442 Ohm 732 Ohm
AP2114H NO-POP 0 Ohm



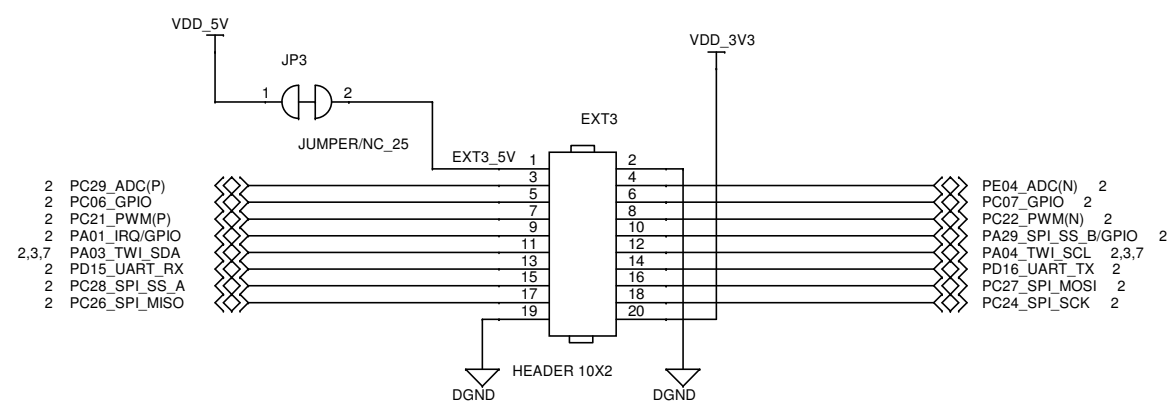
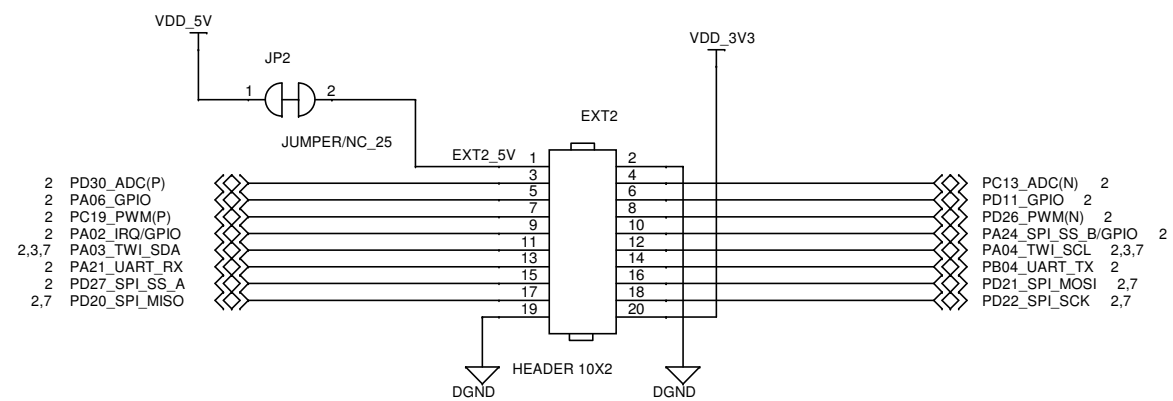
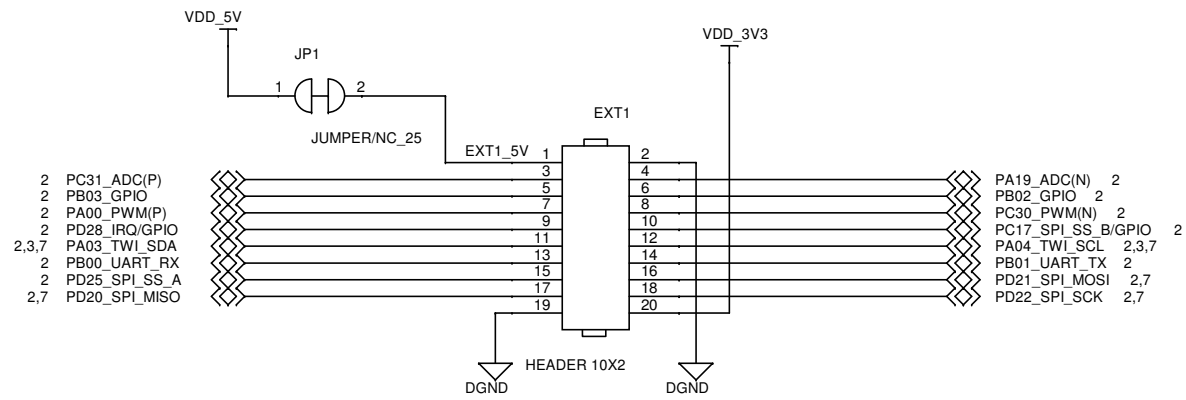
SPECTRUM DIGITAL INCORPORATED			
Title: E70 APPLICATION BOARD			
Page Contents: POWER			
Size: B	DWG NO	519112	Revision: D
Date: Friday, March 13, 2020			Sheet 4 of 7



SPECTRUM DIGITAL INCORPORATED			
Title: E70 APPLICATION BOARD			
Page Contents: COM			
Size: B	DWG NO	519112	Revision: D
Date: Friday, March 13, 2020			Sheet 5 of 7



SPECTRUM DIGITAL INCORPORATED			
Title: E70 APPLICATION BOARD			
Page Contents: ETHERNET			
Size: B	DWG NO	519112	Revision: D
Date: Friday, March 13, 2020			Sheet 6 of 7



SPECTRUM DIGITAL INCORPORATED			
Title: E70 APPLICATION BOARD			
Page Contents: EXPANSION			
Size: B	DWG NO	519112	Revision: D
Date: Friday, March 13, 2020			Sheet 7 of 7