

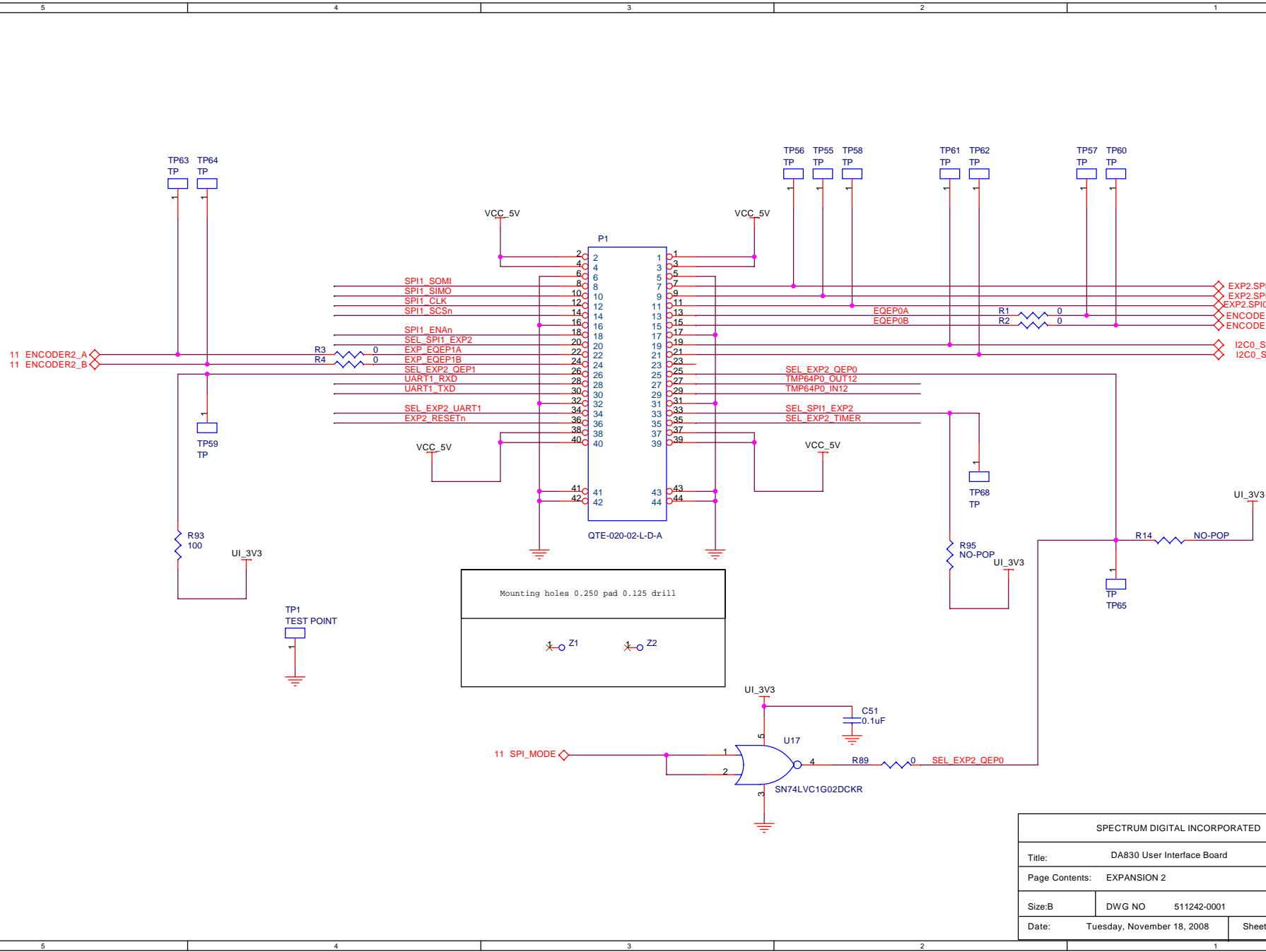
Schematic Contents

- 01 - Title Page
- 02- Serial Expansion
- 03 - EMIF-A Expansion
- 04 - EMIF/LCD Muxing
- 05 - Boot Select Device SW
- 06 - NAND Flash
- 07 - NOR Flash
- 08 - SPI Flash
- 09 - LCD Display
- 10 - Character Display
- 11 - User Switches/Encoders
- 12 - Power

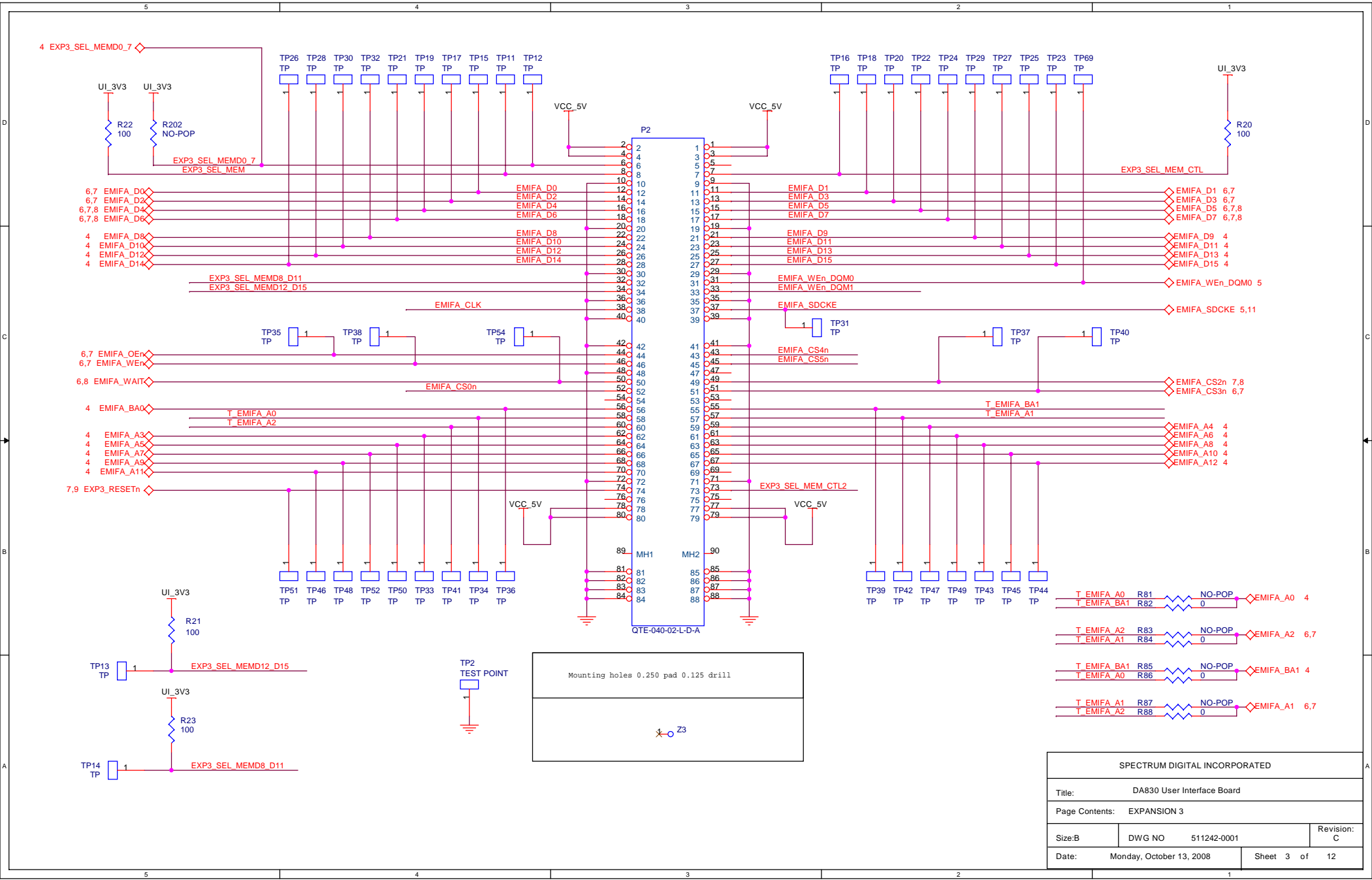
REVISION STATUS OF SHEETS

REV	1	2	3	4	5	6	7	8	9	10	APPLICATION	USED ON	DATE	BY		
														DWN	R.R.P.	06/01/2008
														CHK	T.W.K.	06/01/2008
SH														ENGR	R.R.P.	12/01/2006
REV	A	A	A	A	A	A								ENGR-MGR	R.R.P.	06/01/2008
SH	11	12	13	14	15	16								QA	C.M.D.	06/01/2008
REV	C	B	C	B	B	A	A	A	A		NEXT ASSY			MFG	R.R.P.	06/01/2008
SH	1	2	3	4	5	6	7	8	9	10				RLSE	R.R.P.	06/01/2008

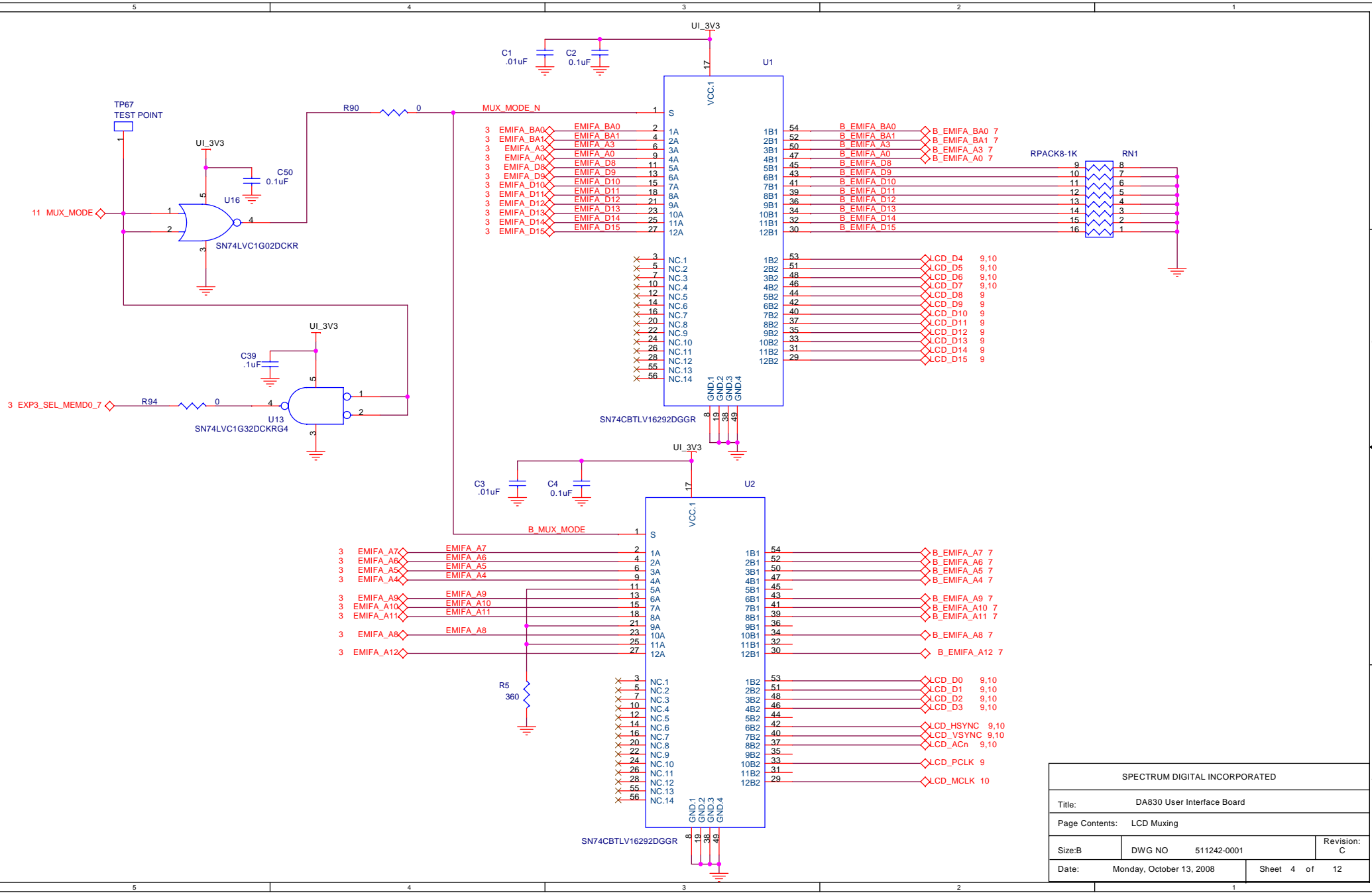
SPECTRUM DIGITAL INCORPORATED			
Title: DA830 User Interface Board			
Page Contents: TITLE PAGE			
Size: B	DWG NO	511242-0001	Revision: C
Date:	Friday, September 26, 2008		Sheet 1 of 12



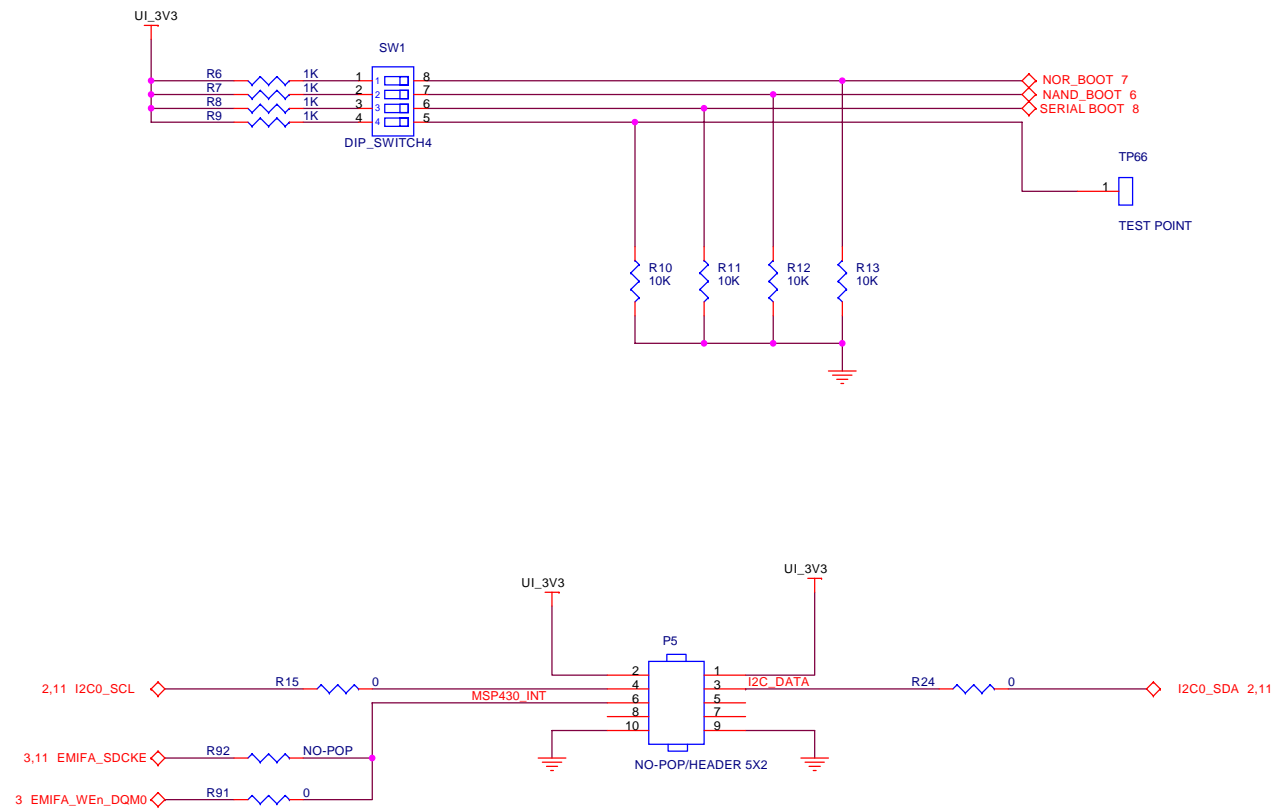
SPECTRUM DIGITAL INCORPORATED			
Title: DA830 User Interface Board			
Page Contents: EXPANSION 2			
Size: B	DWG NO	511242-0001	Revision: A
Date:	Tuesday, November 18, 2008	Sheet 2 of	12



SPECTRUM DIGITAL INCORPORATED			
Title: DA830 User Interface Board			
Page Contents: EXPANSION 3			
Size: B	DWG NO	511242-0001	Revision: C
Date:	Monday, October 13, 2008	Sheet 3 of	12



SPECTRUM DIGITAL INCORPORATED			
Title: DA830 User Interface Board			
Page Contents: LCD Muxing			
Size: B	DWG NO: 511242-0001	Revision: C	
Date: Monday, October 13, 2008	Sheet 4 of 12		

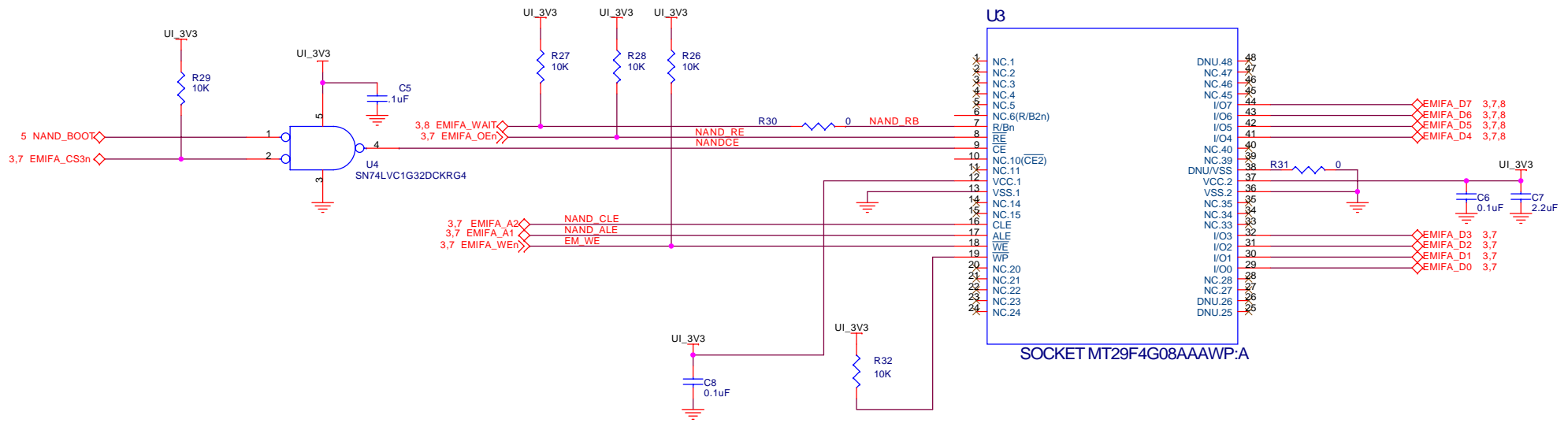


IR REMOTE OPTION

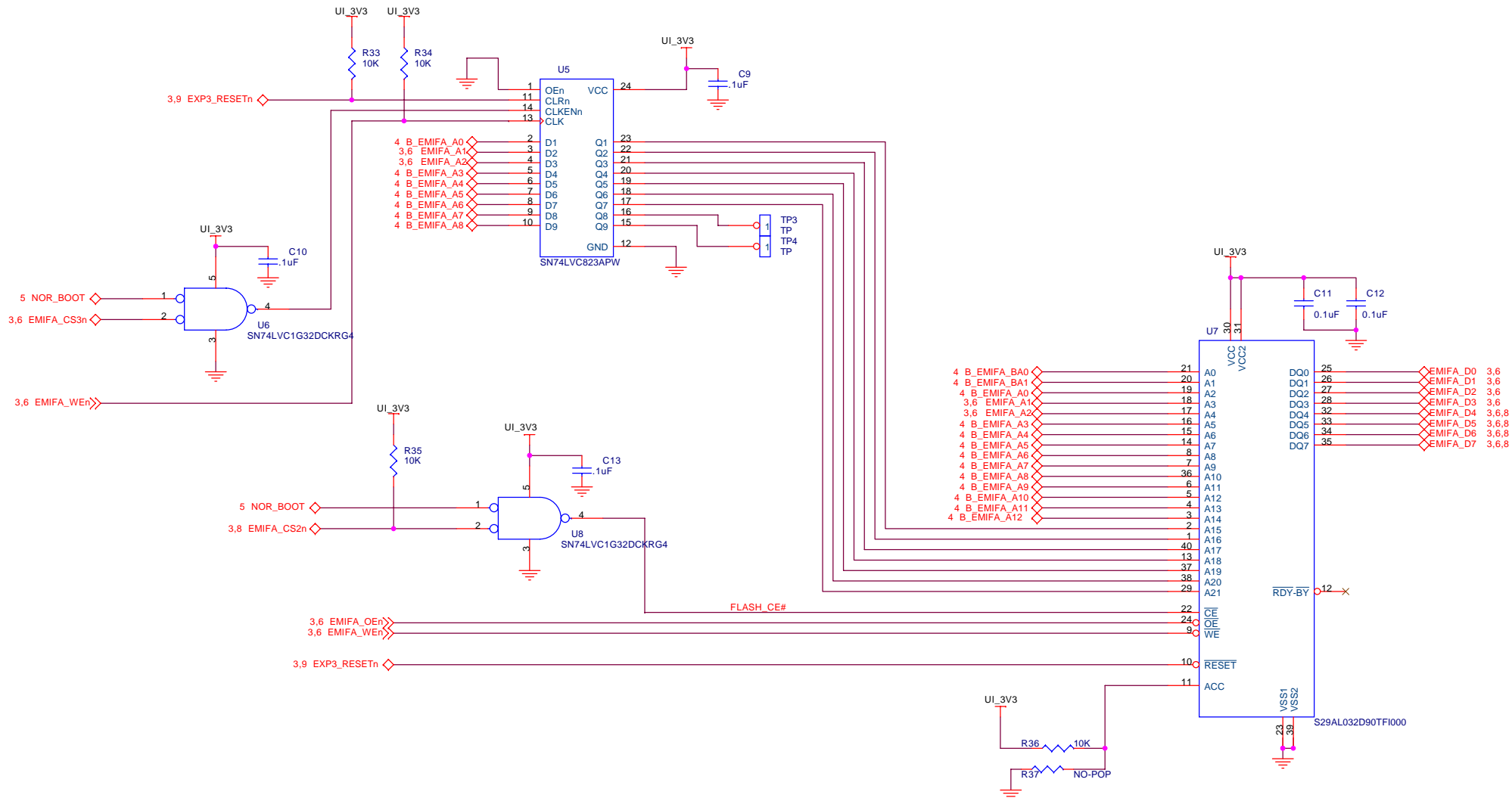
Mounting holes 0.250 pad 0.125 drill

✕ Z4 ✕ Z5

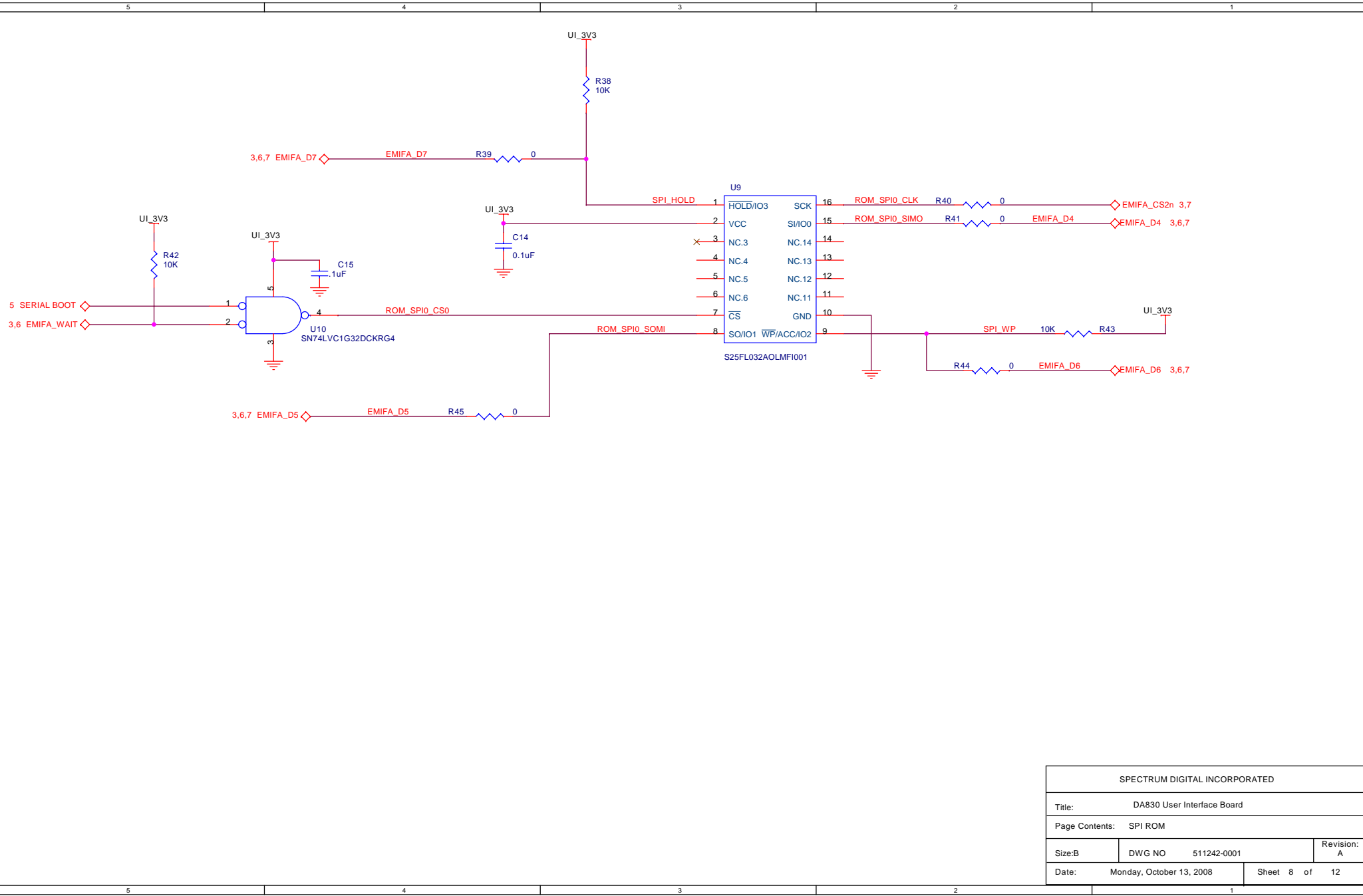
SPECTRUM DIGITAL INCORPORATED			
Title: DA830 User Interface Board			
Page Contents: NAND FLASH			
Size: B	DWG NO	511242-0001	Revision: A
Date:	Monday, October 13, 2008	Sheet 5 of	12



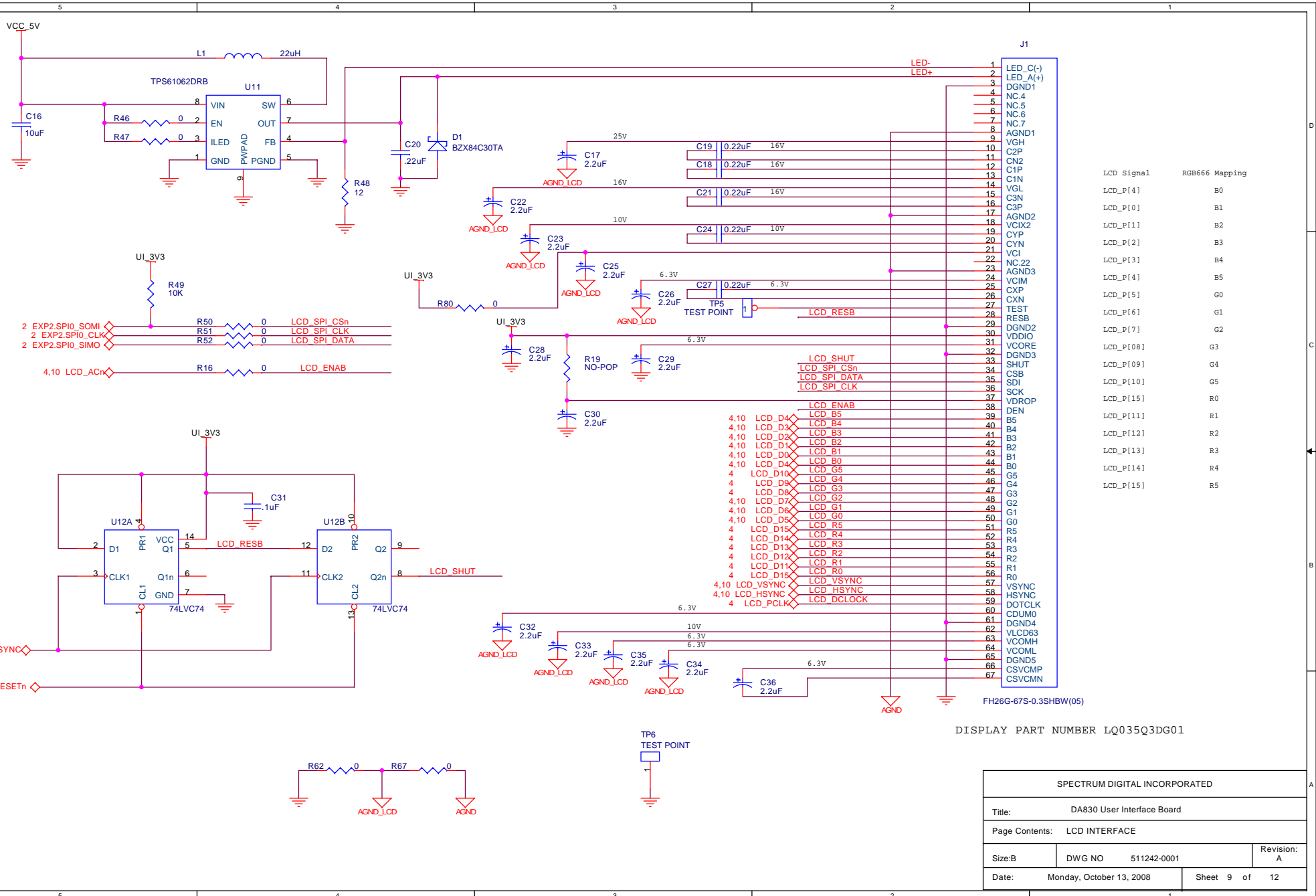
SPECTRUM DIGITAL INCORPORATED			
Title: DA830 User Interface Board			
Page Contents: NAND FLASH			
Size: B	DWG NO	511242-0001	Revision: A
Date:	Monday, October 13, 2008		Sheet 6 of 12



SPECTRUM DIGITAL INCORPORATED			
Title: DA830 User Interface Board			
Page Contents: FLASH			
Size: B	DWG NO	511242-0001	Revision: A
Date:	Monday, October 13, 2008	Sheet 7 of	12



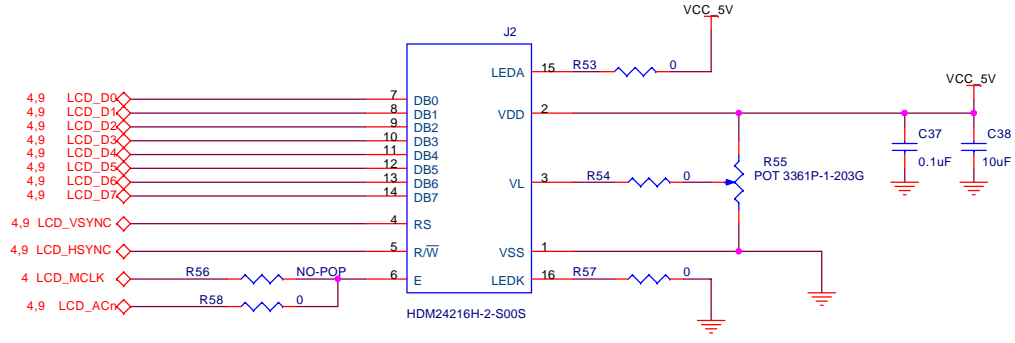
SPECTRUM DIGITAL INCORPORATED			
Title: DA830 User Interface Board			
Page Contents: SPI ROM			
Size: B	DWG NO	511242-0001	Revision: A
Date:	Monday, October 13, 2008	Sheet 8 of	12



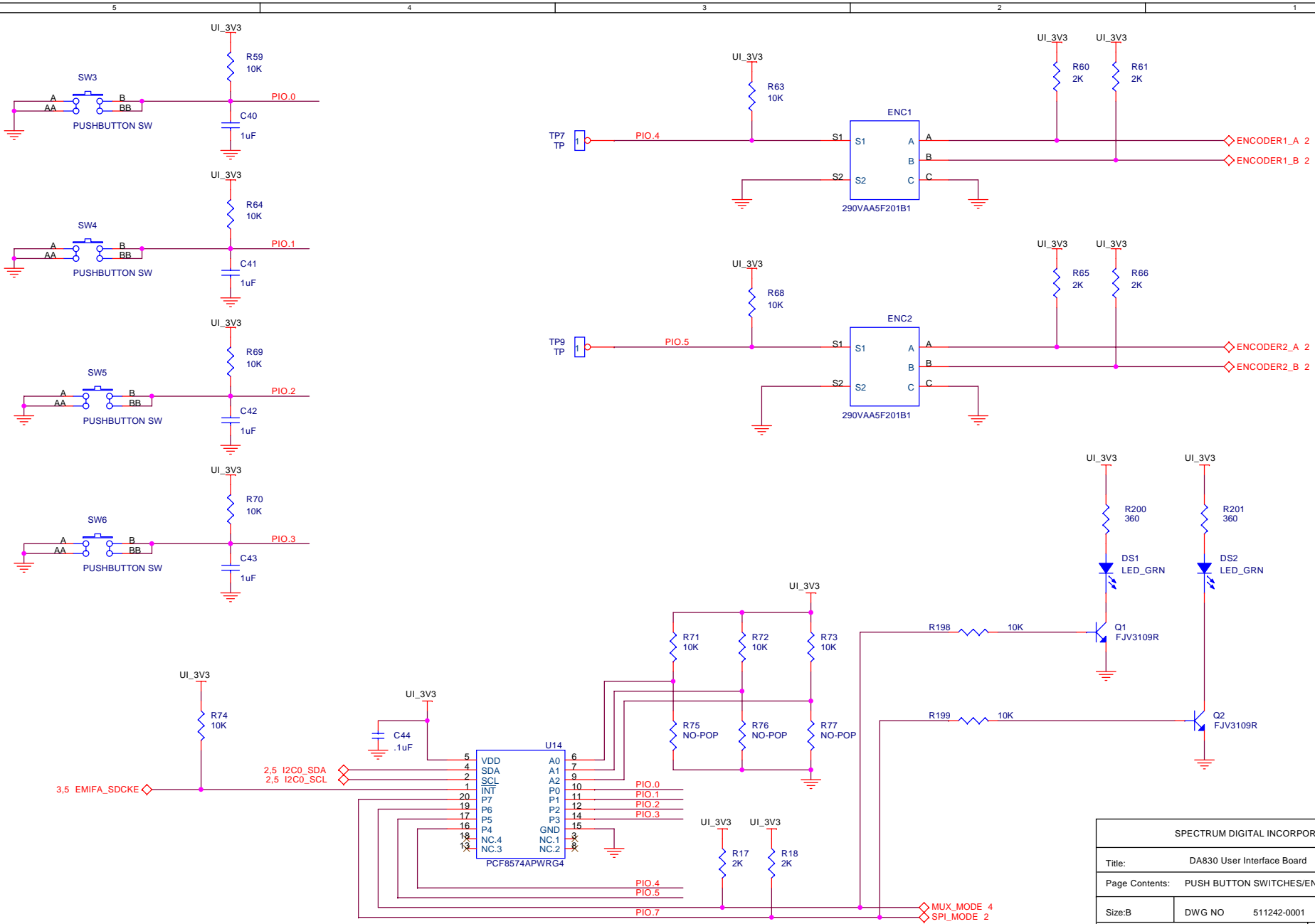
Pin	Signal	RGB666 Mapping
1	LED_C(-)	
2	LED_A(+)	
3	DGND1	
4	NC.4	
5	NC.5	
6	NC.6	
7	NC.7	
8	AGND1	
9	VGH	
10	C2P	
11	CN2	
12	C1P	
13	C1N	
14	VGL	LCD_P[4]
15	C3P	
16	C3N	LCD_P[0]
17	AGND2	
18	VCIX2	LCD_P[1]
19	CYP	
20	CYN	LCD_P[2]
21	VC1	
22	NC.22	LCD_P[3]
23	AGND3	
24	VCIM	LCD_P[4]
25	CXP	
26	CXN	LCD_P[5]
27	TEST	
28	RESB	LCD_P[6]
29	DGND2	
30	AGND	LCD_P[7]
31	VCORE	LCD_P[08]
32	DGND3	
33	SHUT	LCD_P[09]
34	CSB	
35	SDI	LCD_P[10]
36	SCK	LCD_P[15]
37	VDROP	
38	DEN	LCD_P[11]
39	B5	
40	B4	LCD_P[12]
41	B3	
42	B2	LCD_P[13]
43	B1	
44	B0	LCD_P[14]
45	G5	
46	G4	LCD_P[15]
47	G3	
48	G2	
49	G1	
50	G0	
51	R5	
52	R4	
53	R3	
54	R2	
55	R1	
56	R0	
57	VSYN	
58	HSYN	
59	DOTCLK	
60	CDUM0	
61	DGND4	
62	VLCD63	
63	VCOMH	
64	VCOML	
65	DGND5	
66	CSVCM	
67	CSVCMN	

DISPLAY PART NUMBER LQ035Q3DG01

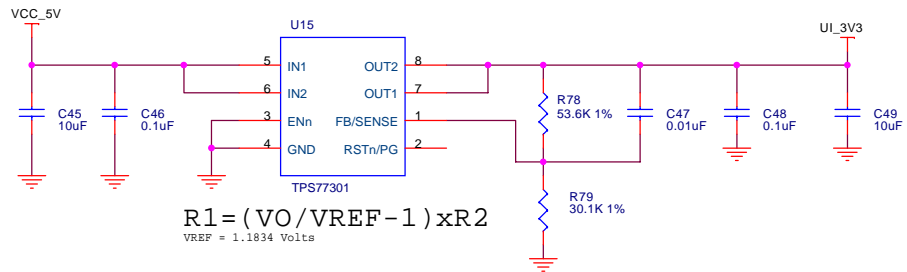
SPECTRUM DIGITAL INCORPORATED			
Title: DA830 User Interface Board			
Page Contents: LCD INTERFACE			
Size: B	DWG NO	511242-0001	Revision: A
Date:	Monday, October 13, 2008	Sheet 9 of 12	



SPECTRUM DIGITAL INCORPORATED			
Title: DA830 User Interface Board			
Page Contents: CHARACTER DISPLAY			
Size: B	DWG NO	511242-0001	Revision: A
Date:	Monday, October 13, 2008	Sheet	10 of 12



SPECTRUM DIGITAL INCORPORATED			
Title: DA830 User Interface Board			
Page Contents: PUSH BUTTON SWITCHES/ENCODER			
Size: B	DWG NO	511242-0001	Revision: A
Date:	Monday, October 13, 2008	Sheet	11 of 12



$$R1 = (VO / VREF - 1) \times R2$$

$V_{REF} = 1.1834 \text{ Volts}$

SPECTRUM DIGITAL INCORPORATED			
Title: DA830 User Interface Board			
Page Contents: ENCODERS			
Size: B	DWG NO	511242-0001	Revision: A
Date:	Friday, September 26, 2008	Sheet 12 of	12