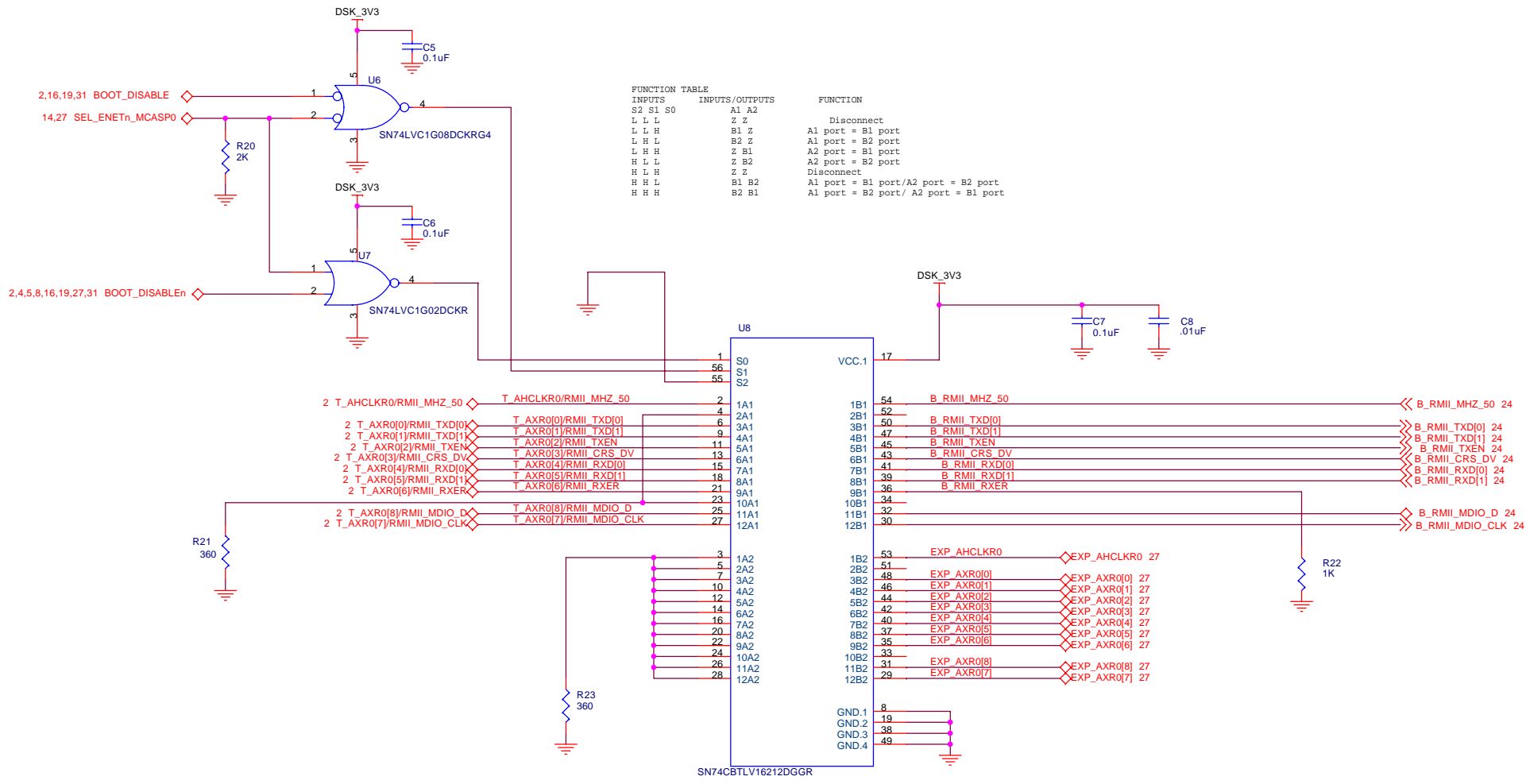


MCLK: AHCLKX1 (drive this clock into McASP)
 BCLK: ACLKX1 (McASP will drive this into the AIC)
 WCLK: AFSX1 (McASP will drive this into the AIC)
 DIN: AXR1[5] (McASP)
 DOUT: AXR1[0] (McASP)
 McASP generates the Tx bit and frame clocks.
 Configure McASP such that the Rx section operates off of the Tx section clocks.

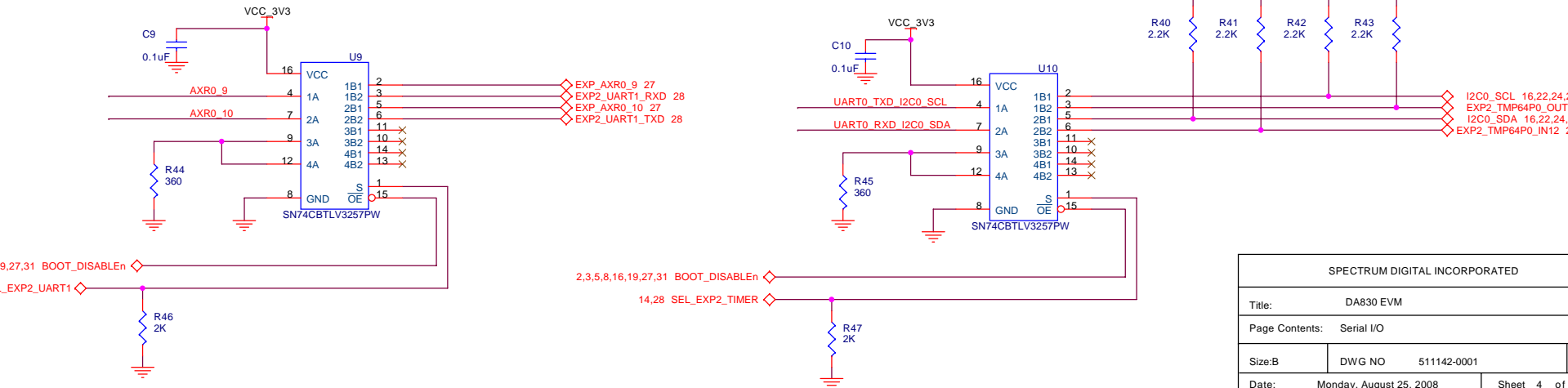
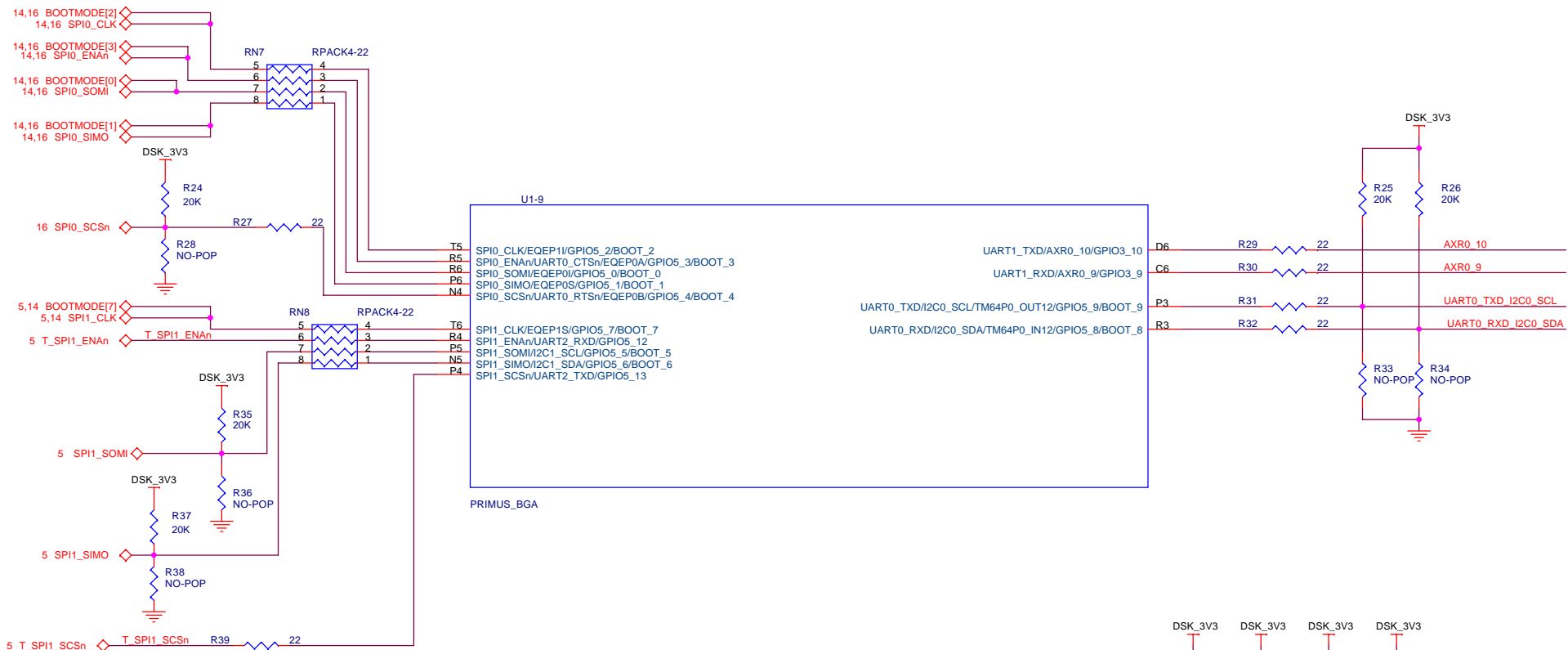
SPECTRUM DIGITAL INCORPORATED			
Title: DA830 EVM			
Page Contents: McASP/Ethernet MAC			
Size: B	DWG NO	511142-0001	Revision: A
Date:	Monday, August 25, 2008	Sheet 2 of	32



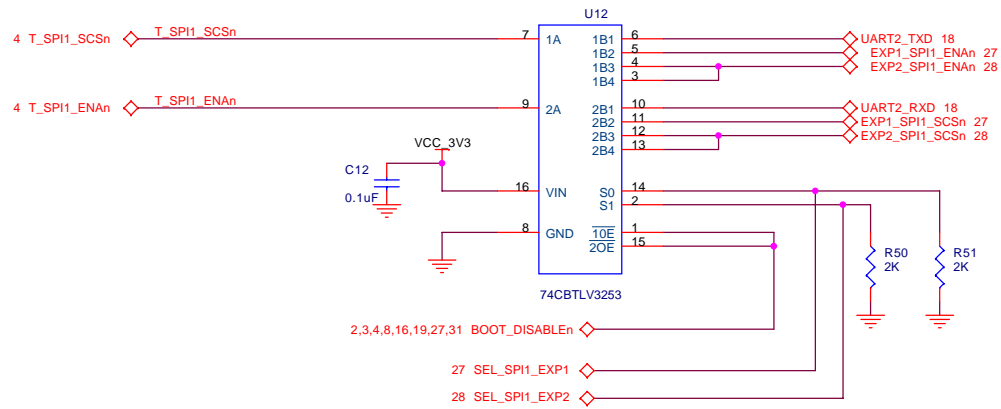
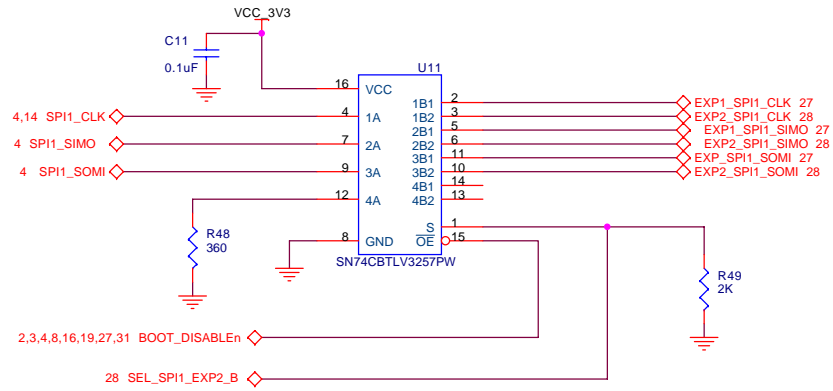
FUNCTION TABLE

INPUTS	INPUTS/OUTPUTS	FUNCTION
S2 S1 S0	A1 A2	
L L L	Z Z	Disconnect
L L H	B1 Z	A1 port = B1 port
L H L	B2 Z	A1 port = B2 port
L H H	Z B1	A2 port = B1 port
H L L	Z B2	A2 port = B2 port
H L H	Z Z	Disconnect
H H L	B1 B2	A1 port = B1 port/A2 port = B2 port
H H H	B2 B1	A1 port = B2 port/ A2 port = B1 port

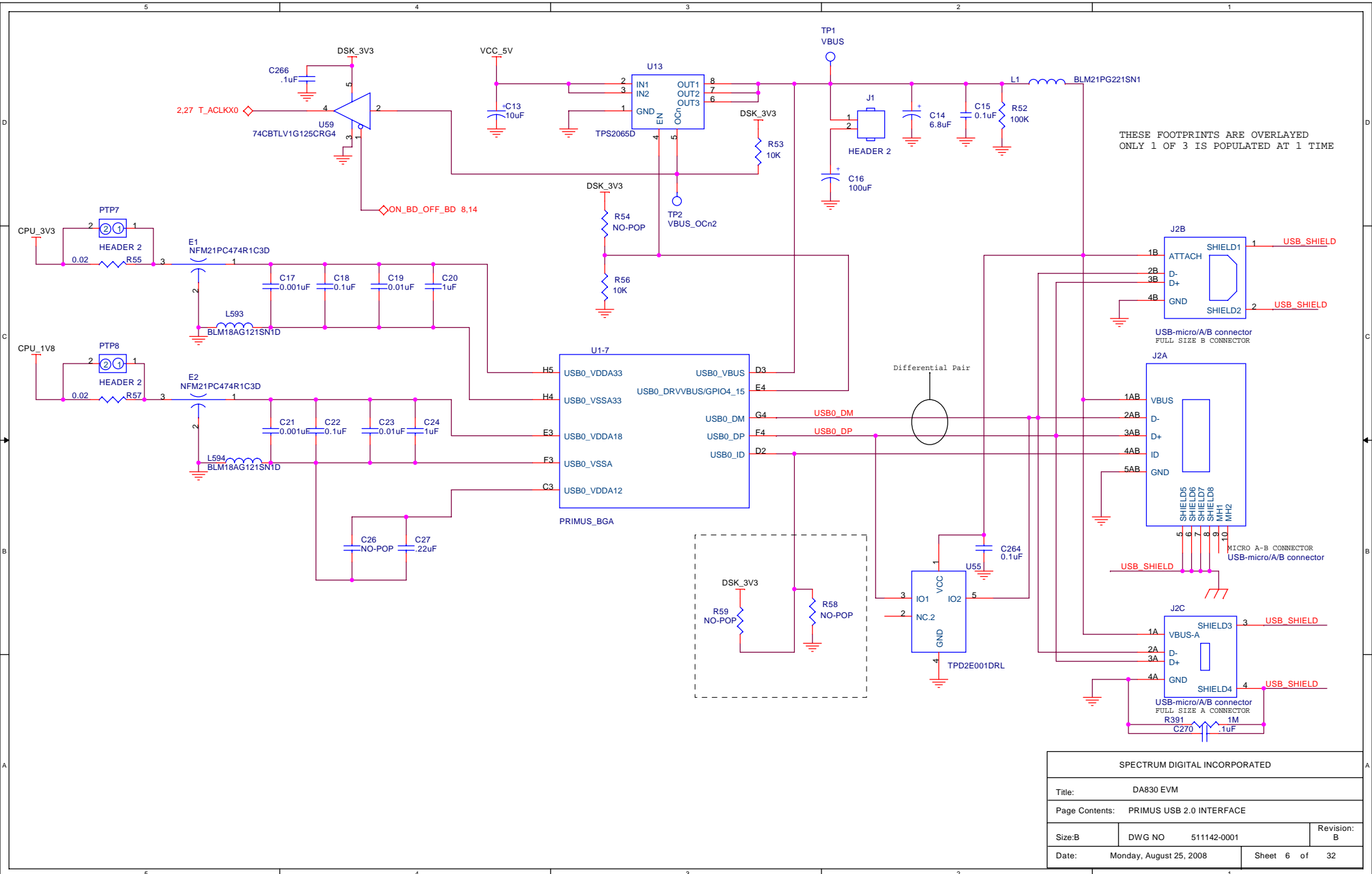
SPECTRUM DIGITAL INCORPORATED			
Title: DA830 EVM			
Page Contents: Ethernet Muxes			
Size: B	DWG NO	511142-0001	Revision: B
Date:	Monday, August 25, 2008	Sheet 3 of	32



SPECTRUM DIGITAL INCORPORATED			
Title: DA830 EVM			
Page Contents: Serial I/O			
Size: B	DWG NO: 511142-0001	Revision: A	
Date: Monday, August 25, 2008	Sheet 4 of 32		

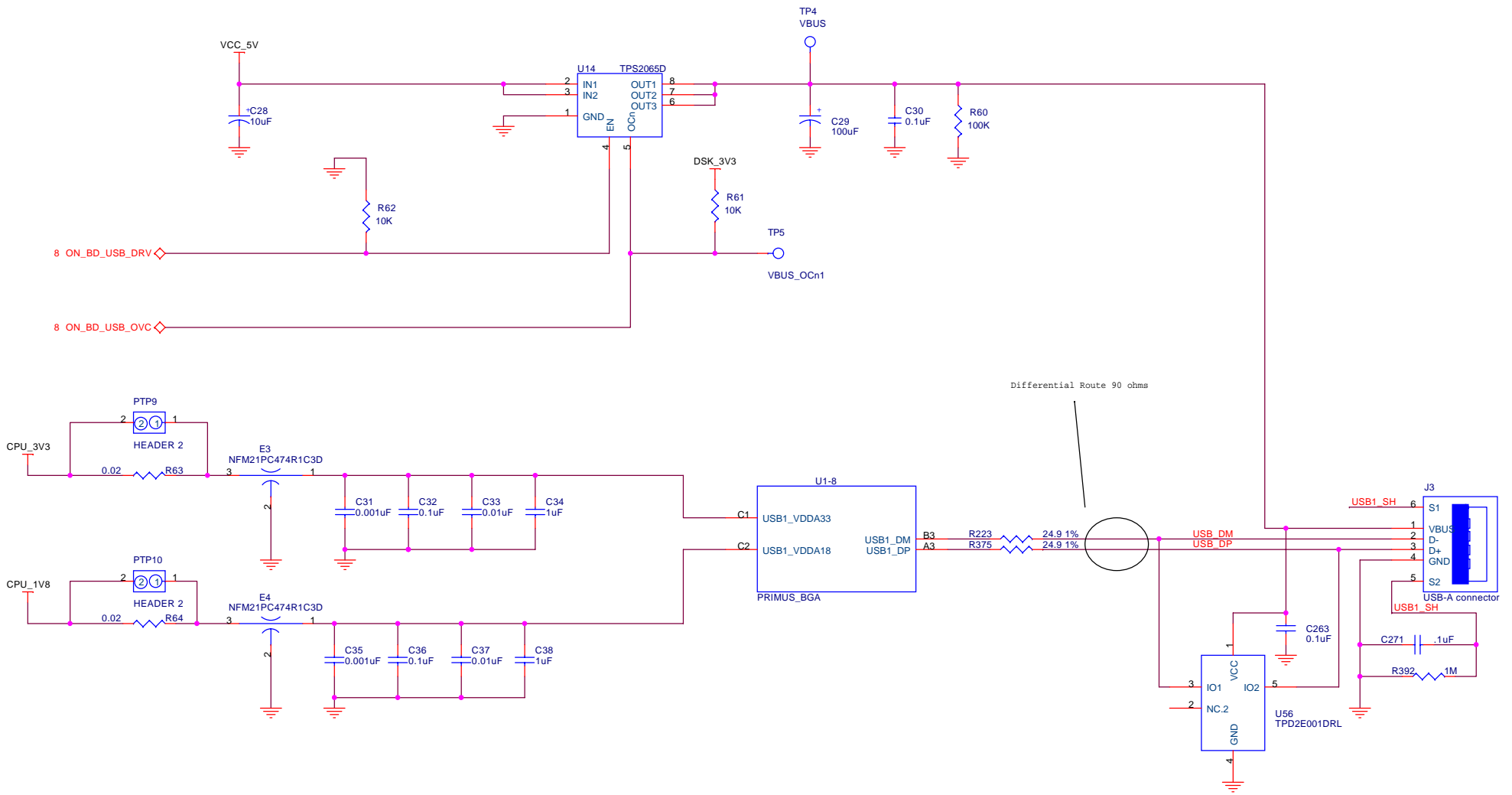


SPECTRUM DIGITAL INCORPORATED			
Title:		DA830 EVM	
Page Contents: SPI MUXING			
Size: B	DWG NO	511142-0001	Revision: A
Date:	Monday, August 25, 2008	Sheet 5 of	32

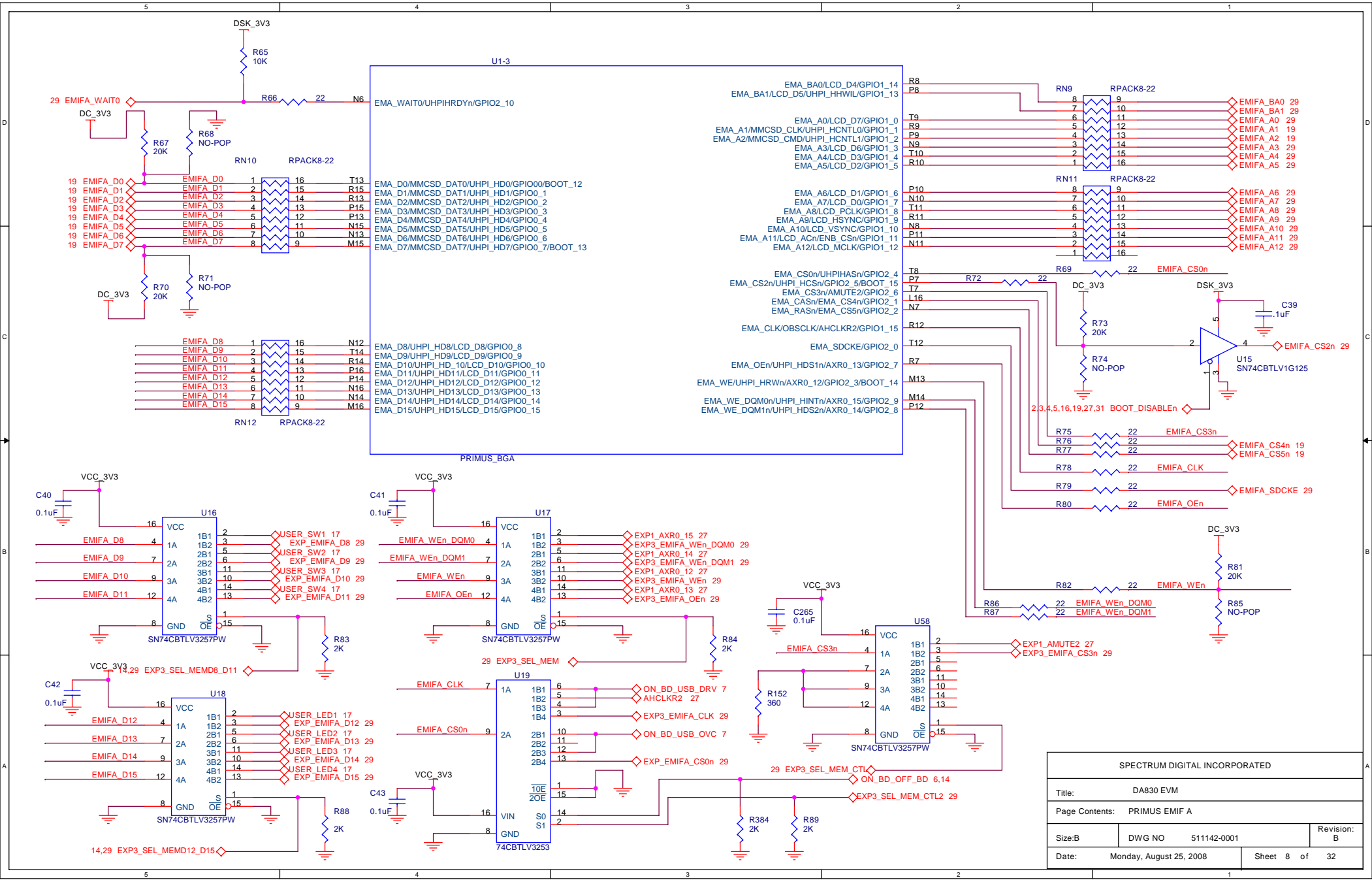


THESE FOOTPRINTS ARE OVERLAYED ONLY 1 OF 3 IS POPULATED AT 1 TIME

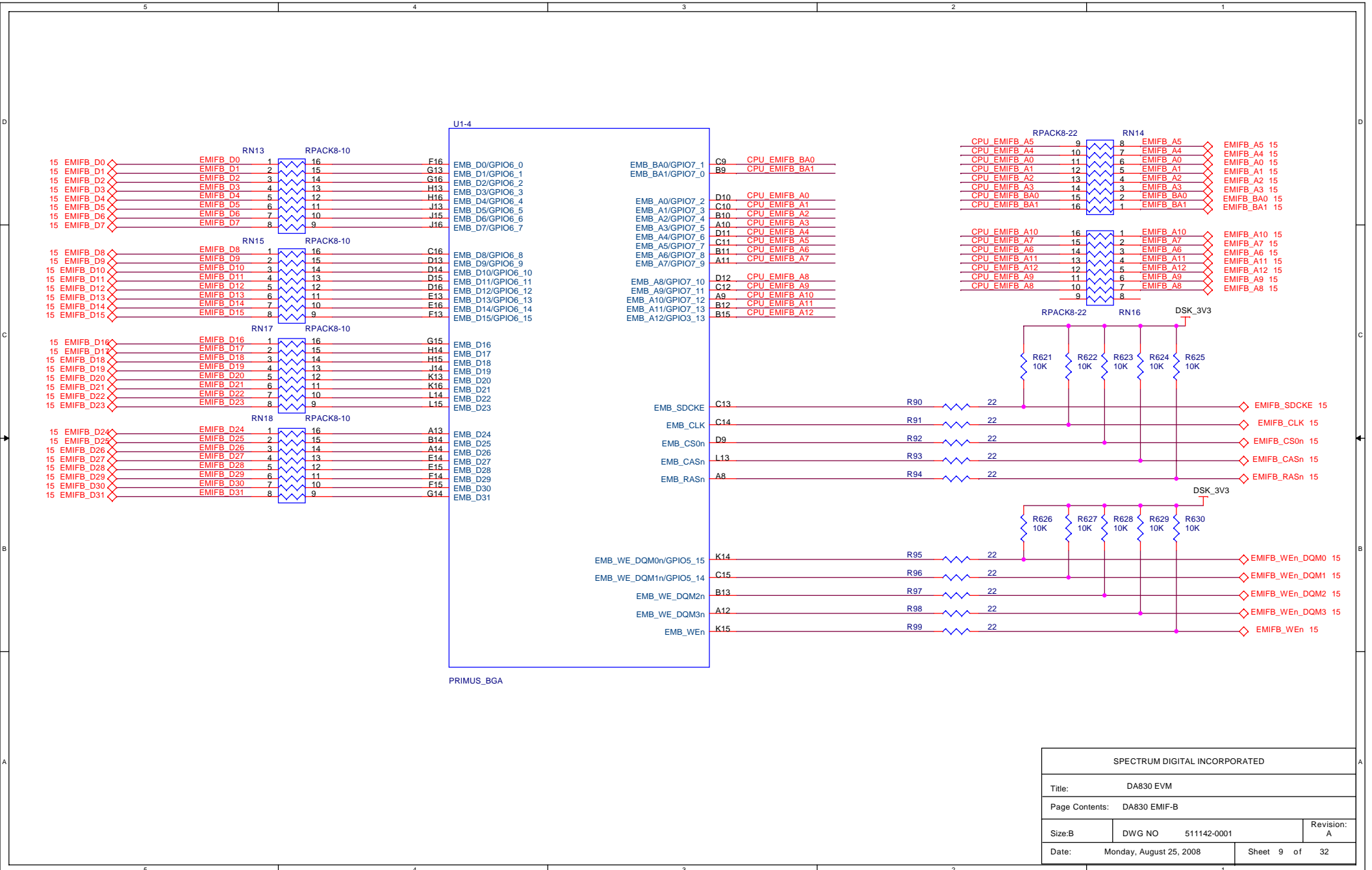
SPECTRUM DIGITAL INCORPORATED			
Title: DA830 EVM			
Page Contents: PRIMUS USB 2.0 INTERFACE			
Size: B	DWG NO	511142-0001	Revision: B
Date:	Monday, August 25, 2008	Sheet 6 of	32



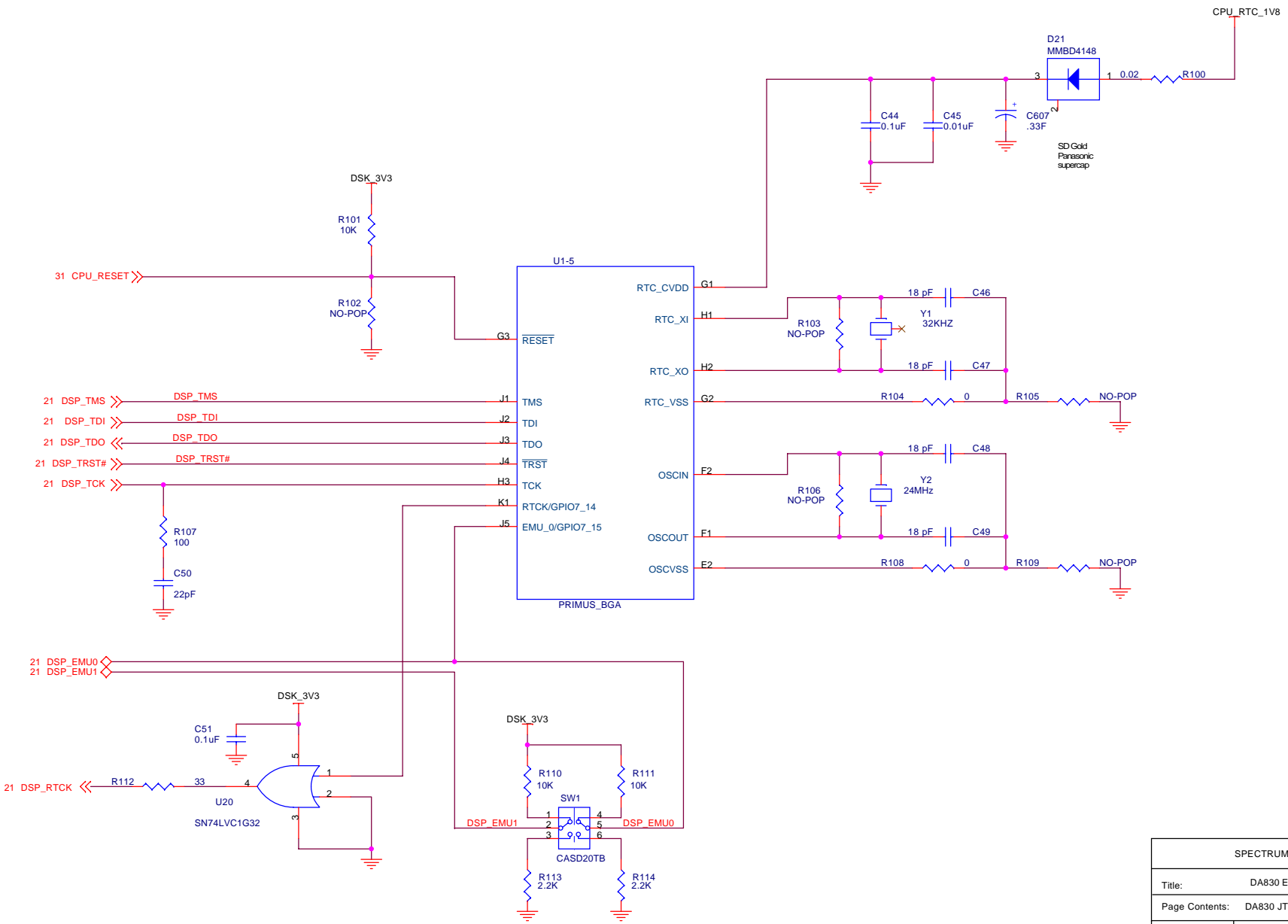
SPECTRUM DIGITAL INCORPORATED			
Title: DA830 EVM			
Page Contents: USB 1.0 HOST INTERFACE			
Size: B	DWG NO	511142-0001	Revision: A
Date:	Monday, August 25, 2008	Sheet 7 of	32



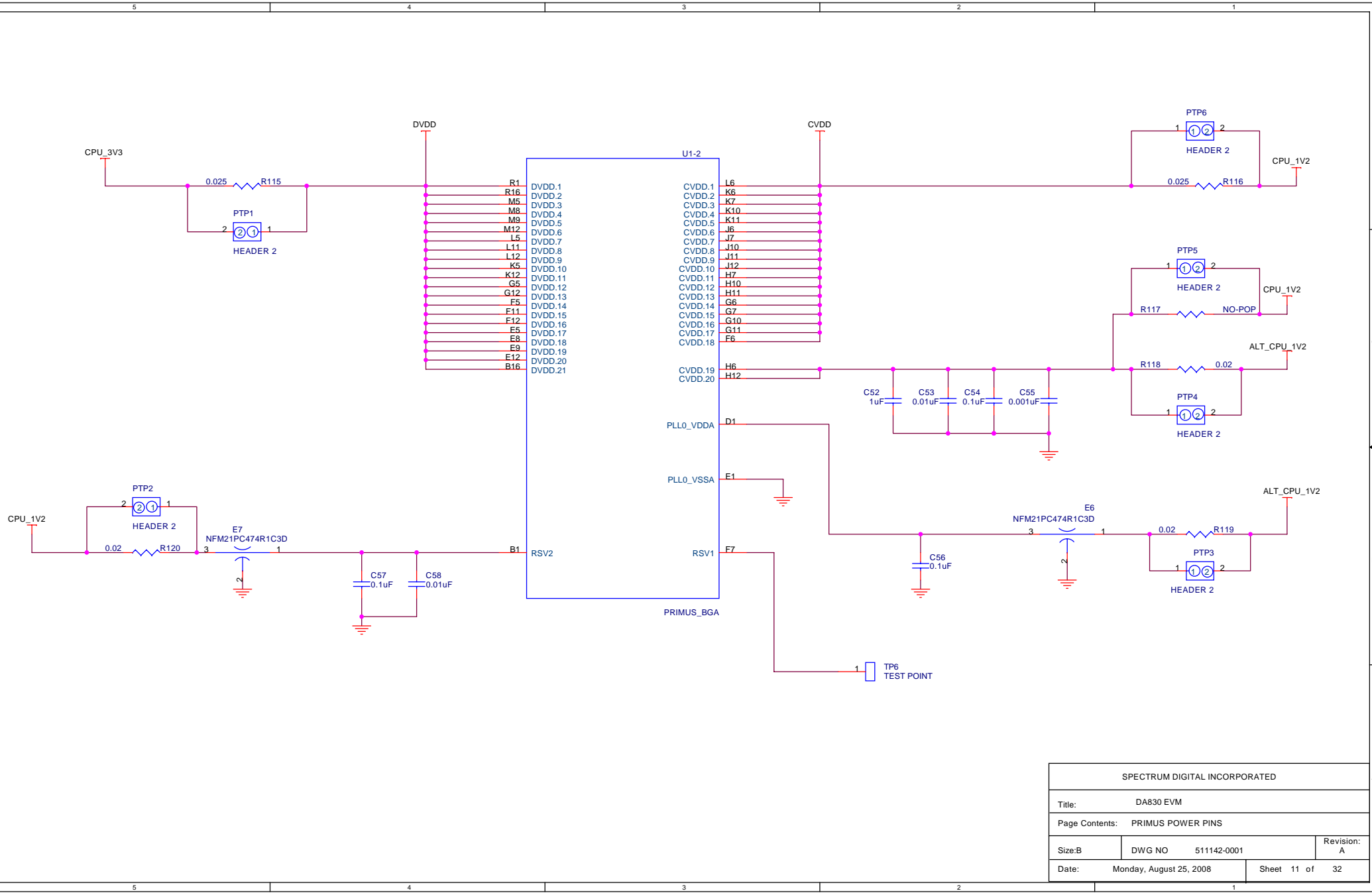
SPECTRUM DIGITAL INCORPORATED			
Title: DA830 EVM			
Page Contents: PRIMUS EMIF A			
Size: B	DWG NO: 511142-0001	Revision: B	
Date: Monday, August 25, 2008	Sheet 8 of 32		



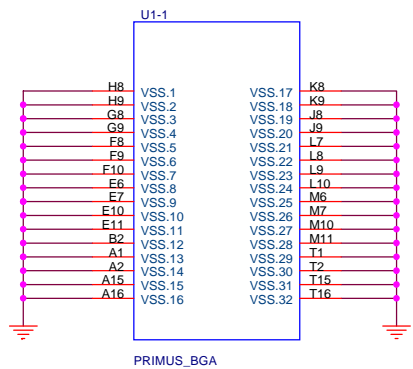
SPECTRUM DIGITAL INCORPORATED			
Title: DA830 EVM			
Page Contents: DA830 EMIF-B			
Size: B	DWG NO	511142-0001	Revision: A
Date:	Monday, August 25, 2008	Sheet 9 of 32	



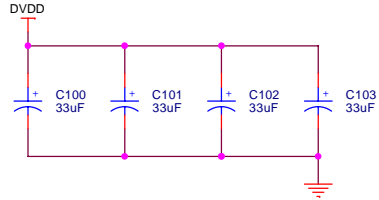
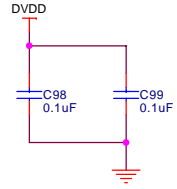
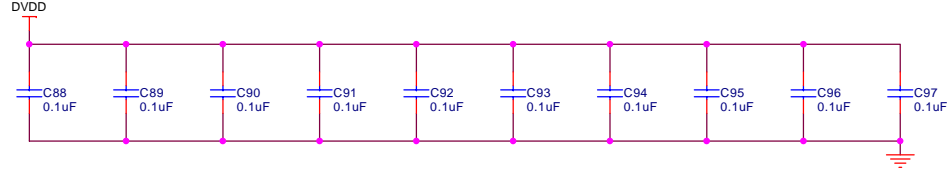
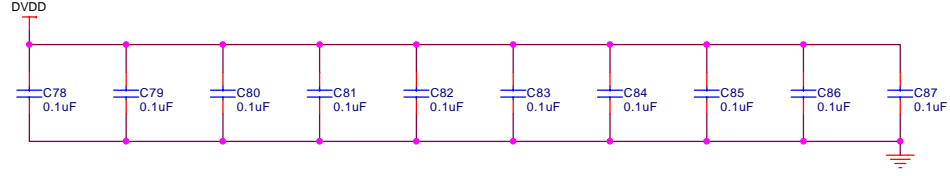
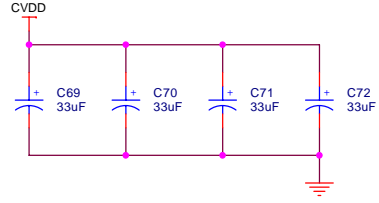
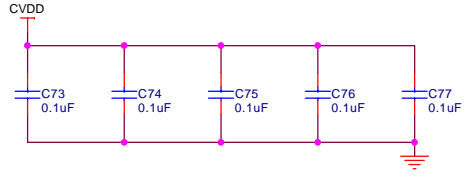
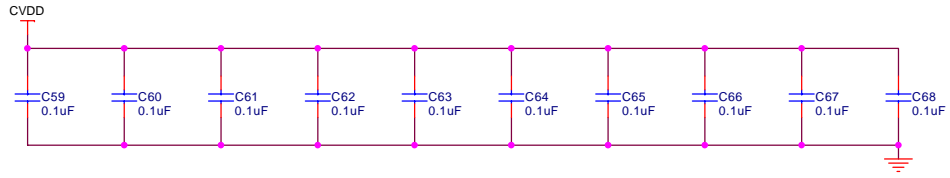
SPECTRUM DIGITAL INCORPORATED			
Title:		DA830 EVM	
Page Contents: DA830 JTAG/CLOCKS			
Size: B	DWG NO	511142-0001	Revision: A
Date:	Monday, August 25, 2008	Sheet	10 of 32



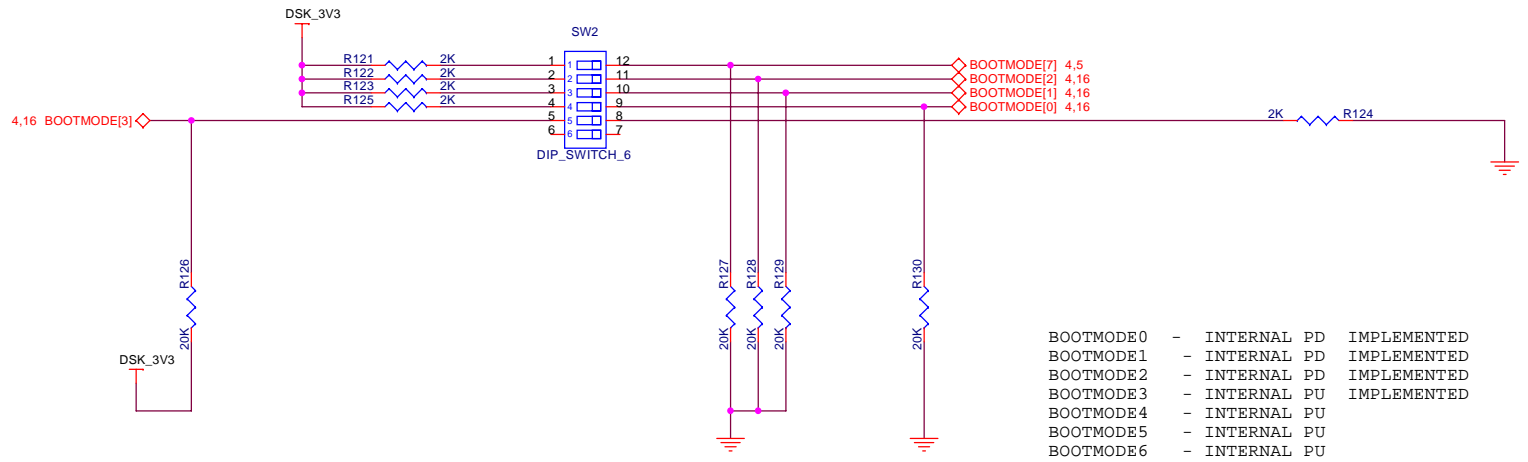
SPECTRUM DIGITAL INCORPORATED			
Title:		DA830 EVM	
Page Contents: PRIMUS POWER PINS			
Size: B	DWG NO	511142-0001	Revision: A
Date:	Monday, August 25, 2008	Sheet 11 of	32



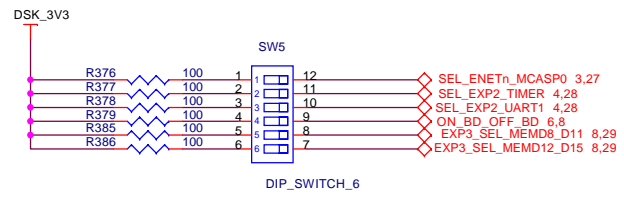
SPECTRUM DIGITAL INCORPORATED			
Title:		DA830 EVM	
Page Contents:		PRIMUS GROUND PINS	
Size: B	DWG NO	511142-0001	Revision: A
Date:	Monday, August 25, 2008	Sheet 12 of	32



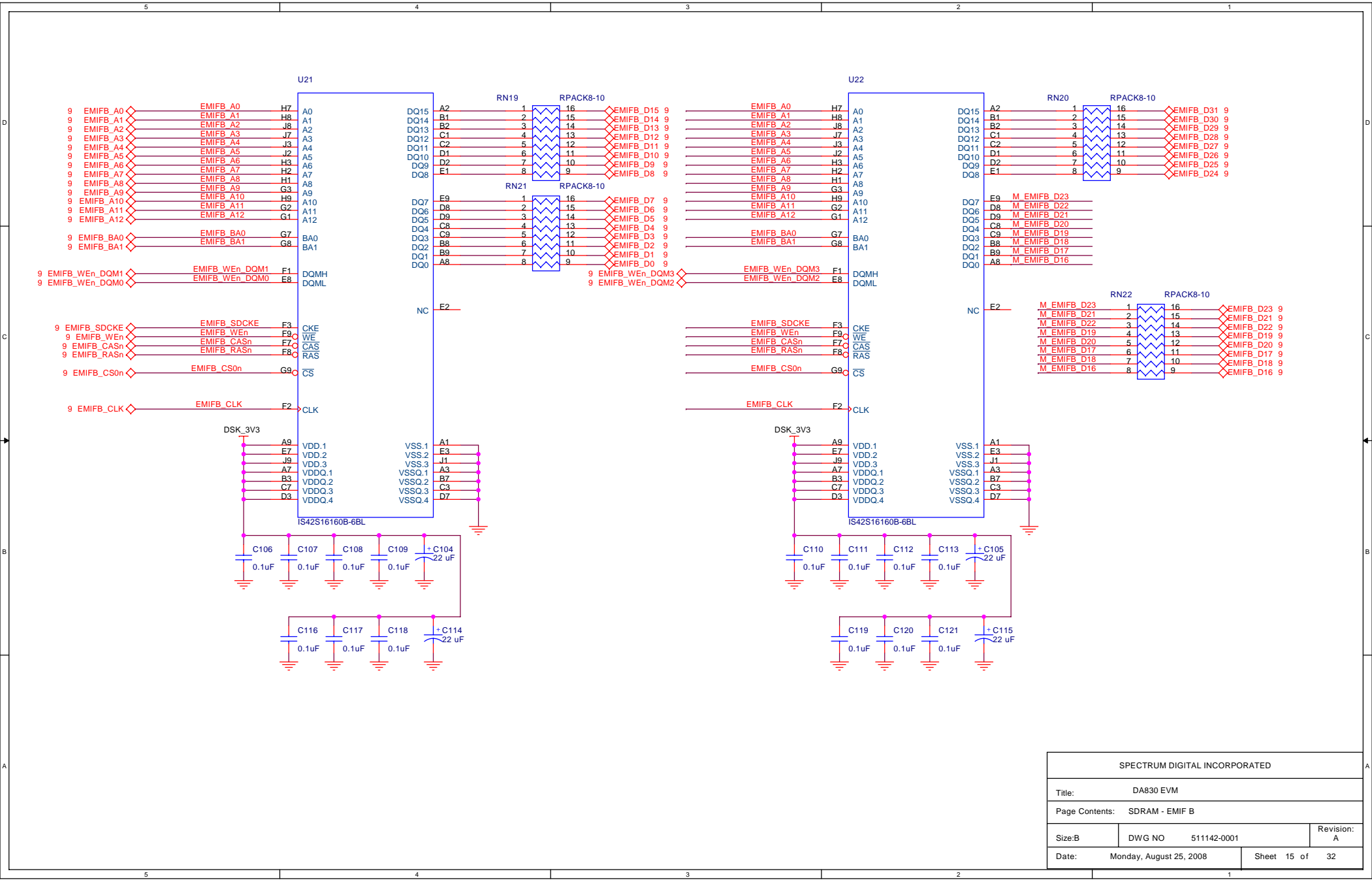
SPECTRUM DIGITAL INCORPORATED			
Title: DA830 EVM			
Page Contents: PRIMUS DECOUPLING CAPACITORS			
Size: B	DWG NO	511142-0001	Revision: A
Date:	Monday, August 25, 2008	Sheet 13 of	32



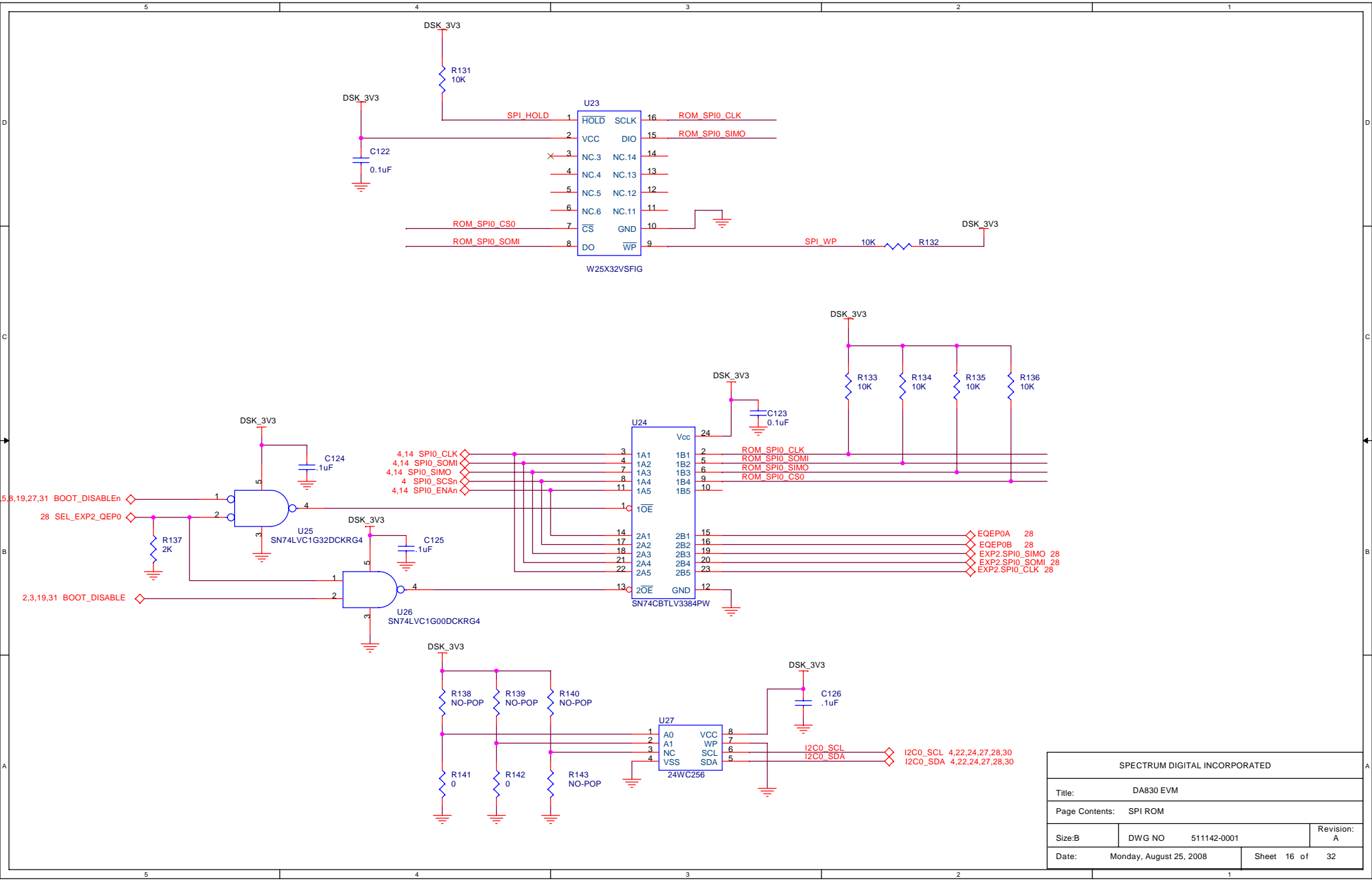
BOOTMODE0	-	INTERNAL PD	IMPLEMENTED	
BOOTMODE1	-	INTERNAL PD	IMPLEMENTED	
BOOTMODE2	-	INTERNAL PD	IMPLEMENTED	
BOOTMODE3	-	INTERNAL PU	IMPLEMENTED	
BOOTMODE4	-	INTERNAL PU		DONE
BOOTMODE5	-	INTERNAL PU		DONE
BOOTMODE6	-	INTERNAL PU		DONE
BOOTMODE7	-	INTERNAL PD	IMPLEMENTED	
BOOTMODE8	-	INTERNAL PU		DONE
BOOTMODE9	-	INTERNAL PU		DONE
BOOTMODE10	-	INTERNAL PD		DONE
BOOTMODE11	-	INTERNAL PD		DONE
BOOTMODE12	-	INTERNAL PU		DONE
BOOTMODE13	-	INTERNAL PU		DONE
BOOTMODE14	-	INTERNAL PU		DONE
BOOTMODE15	-	INTERNAL PU		DONE



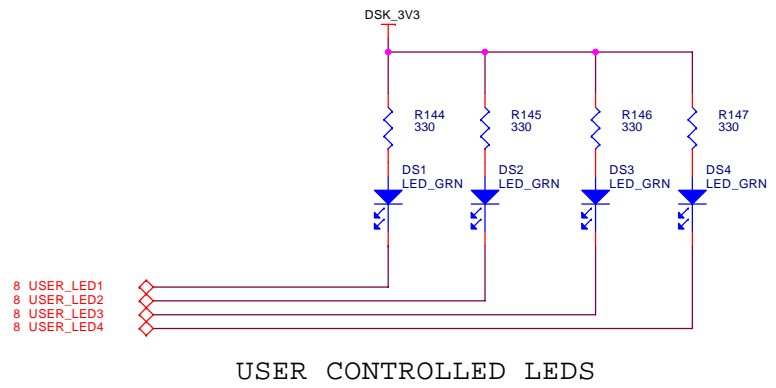
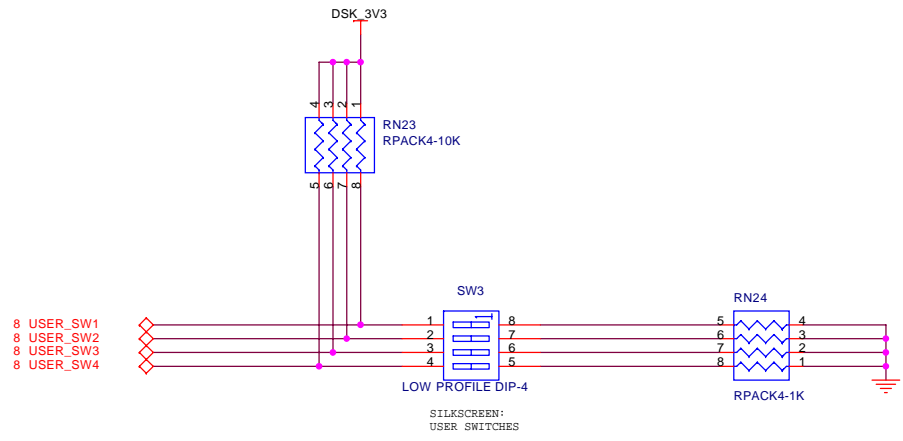
SPECTRUM DIGITAL INCORPORATED			
Title: DA830 EVM			
Page Contents: BOOT MODES			
Size: B	DWG NO	511142-0001	Revision: A
Date:	Monday, August 25, 2008	Sheet 14 of	32



SPECTRUM DIGITAL INCORPORATED			
Title: DA830 EVM			
Page Contents: SDRAM - EMIF B			
Size: B	DWG NO	511142-0001	Revision: A
Date:	Monday, August 25, 2008	Sheet 15 of	32

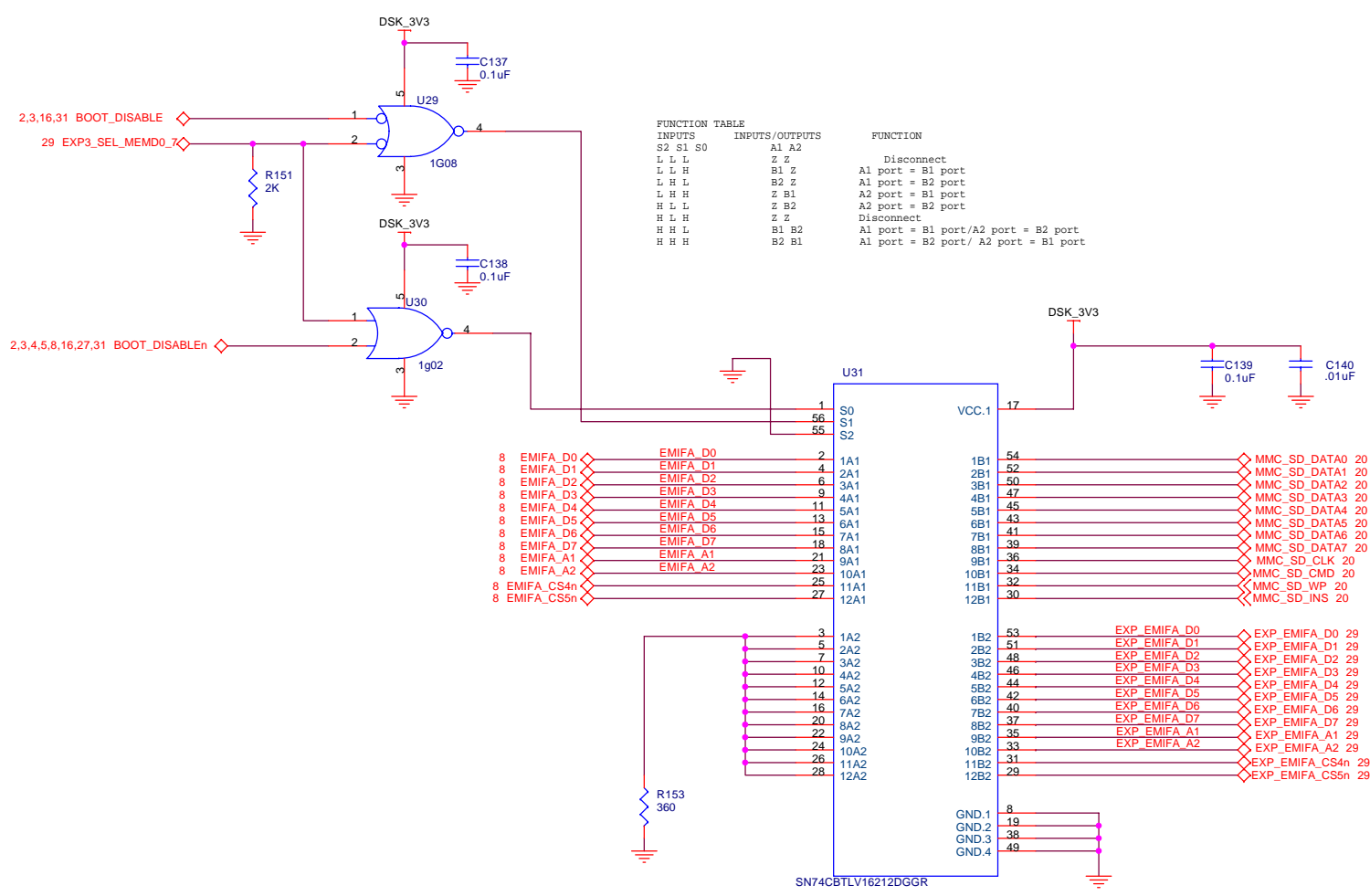


SPECTRUM DIGITAL INCORPORATED			
Title: DA830 EVM			
Page Contents: SPI ROM			
Size: B	DWG NO	511142-0001	Revision: A
Date:	Monday, August 25, 2008	Sheet 16 of	32

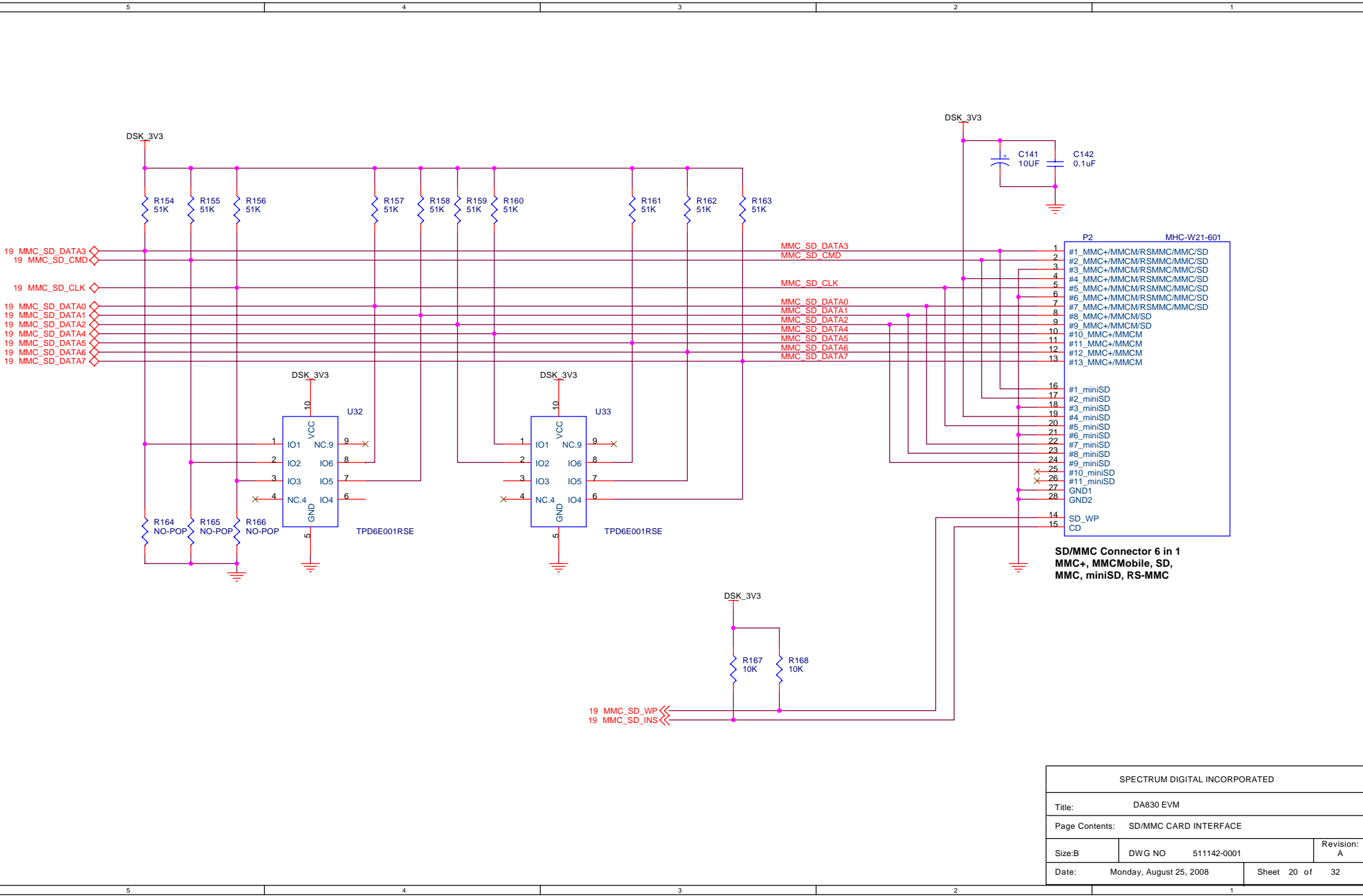


USER CONTROLLED LEDS

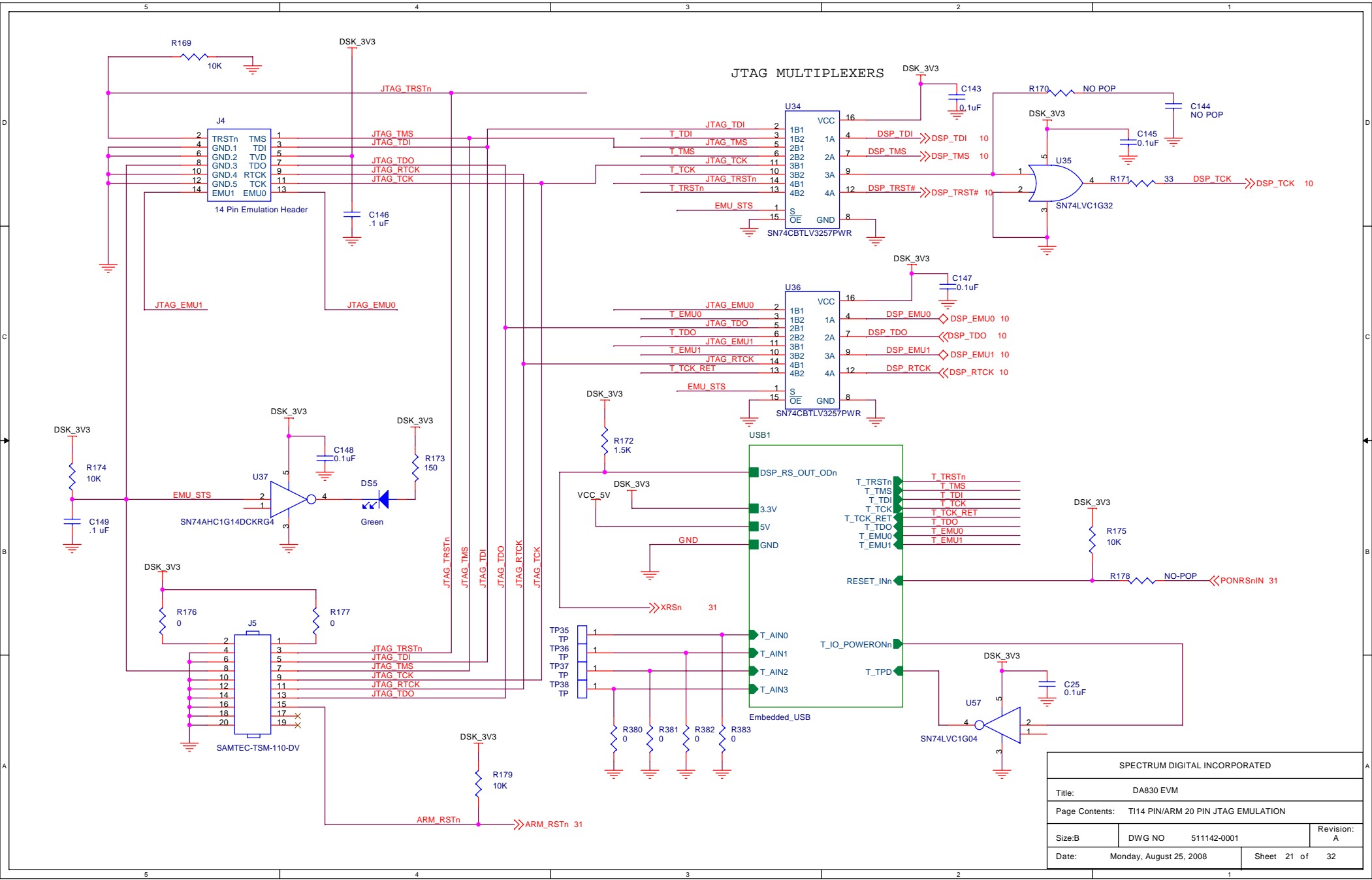
SPECTRUM DIGITAL INCORPORATED			
Title: DA830 EVM			
Page Contents: USER SWITCHES LEDS			
Size: B	DWG NO	511142-0001	Revision: A
Date:	Monday, August 25, 2008	Sheet 17 of	32



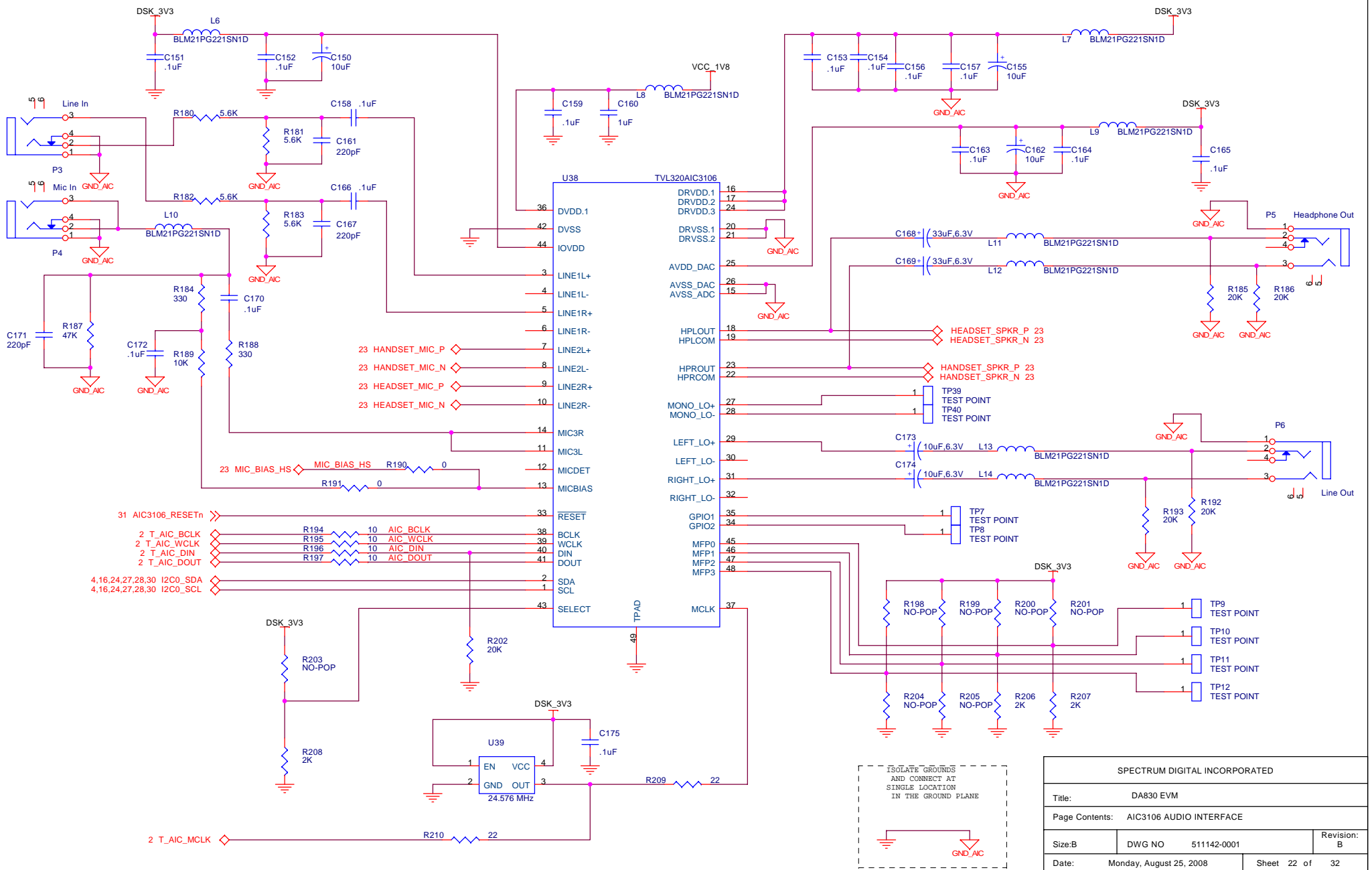
SPECTRUM DIGITAL INCORPORATED			
Title:		DA830 EVM	
Page Contents: SD/MMC CARDMUXING			
Size: B	DWG NO	511142-0001	Revision: B
Date:	Monday, August 25, 2008	Sheet	19 of 32



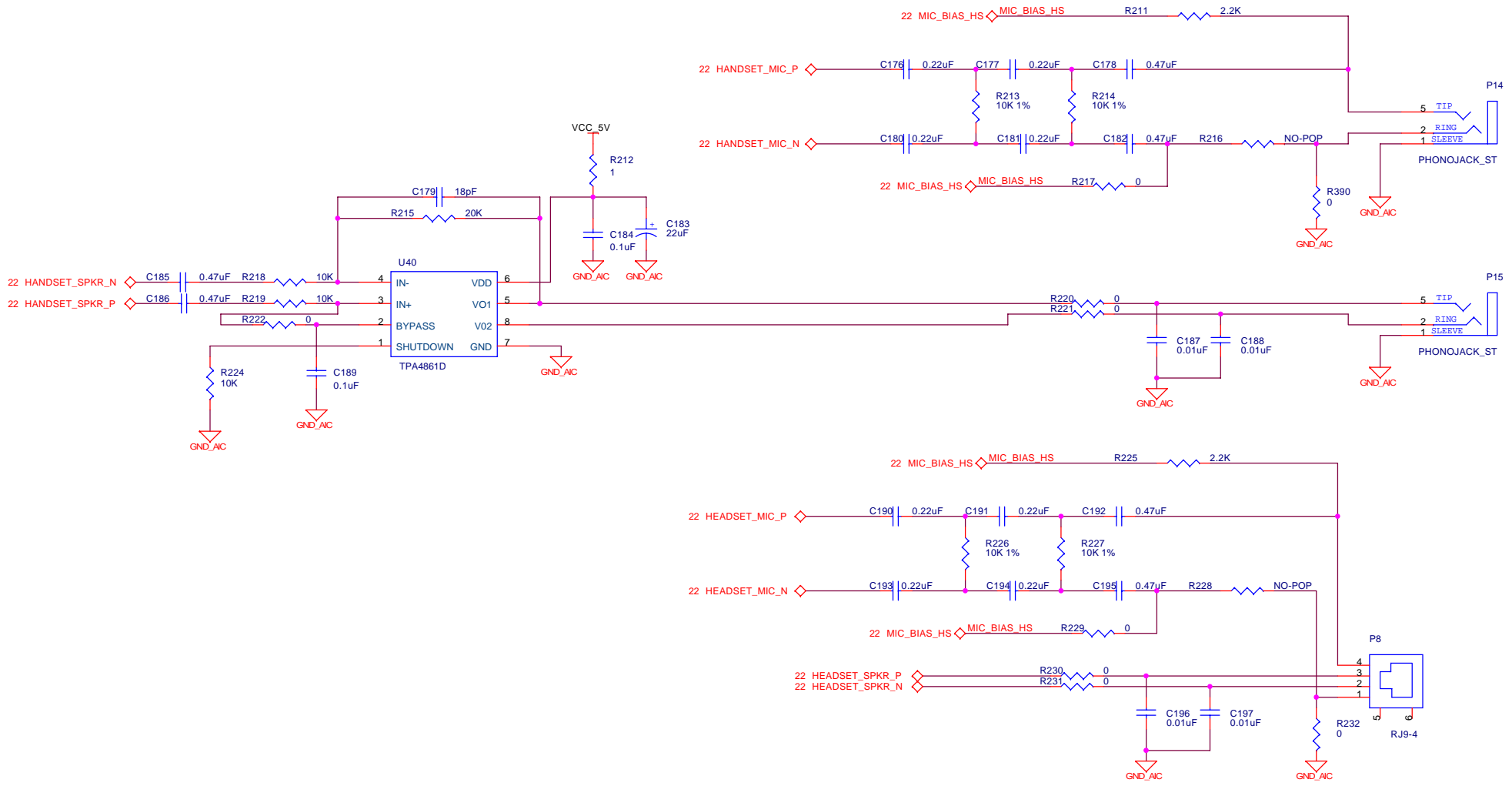
SPECTRUM DIGITAL INCORPORATED			
Title: DA830 EVM			
Page Contents: SD/MMC CARD INTERFACE			
Size: B	DWG NO	511142-0001	Revision: A
Date:	Monday, August 25, 2008	Sheet	20 of 32



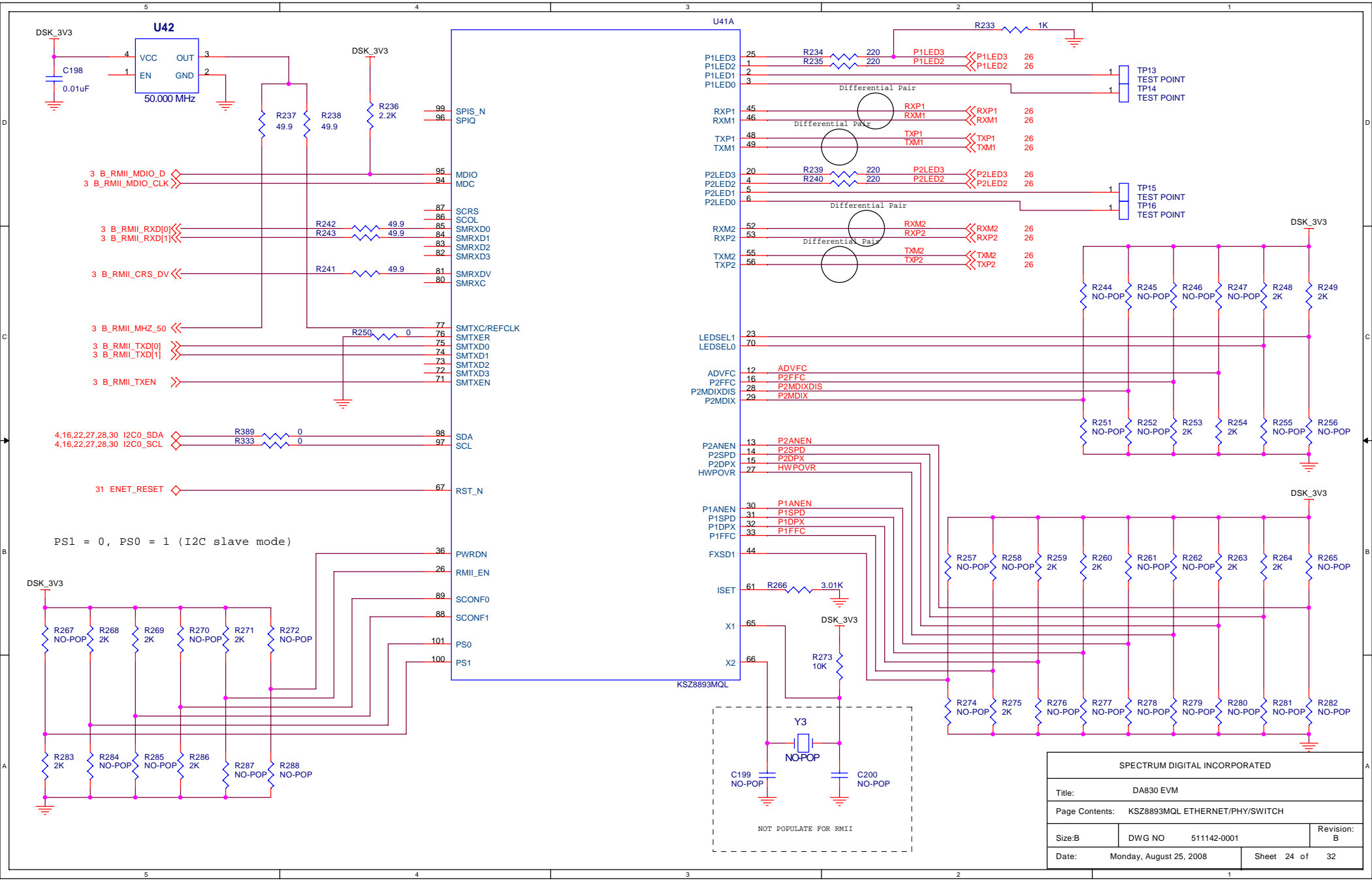
SPECTRUM DIGITAL INCORPORATED			
Title: DA830 EVM			
Page Contents: T114 PIN/ARM 20 PIN JTAG EMULATION			
Size: B	DWG NO	511142-0001	Revision: A
Date:	Monday, August 25, 2008	Sheet	21 of 32



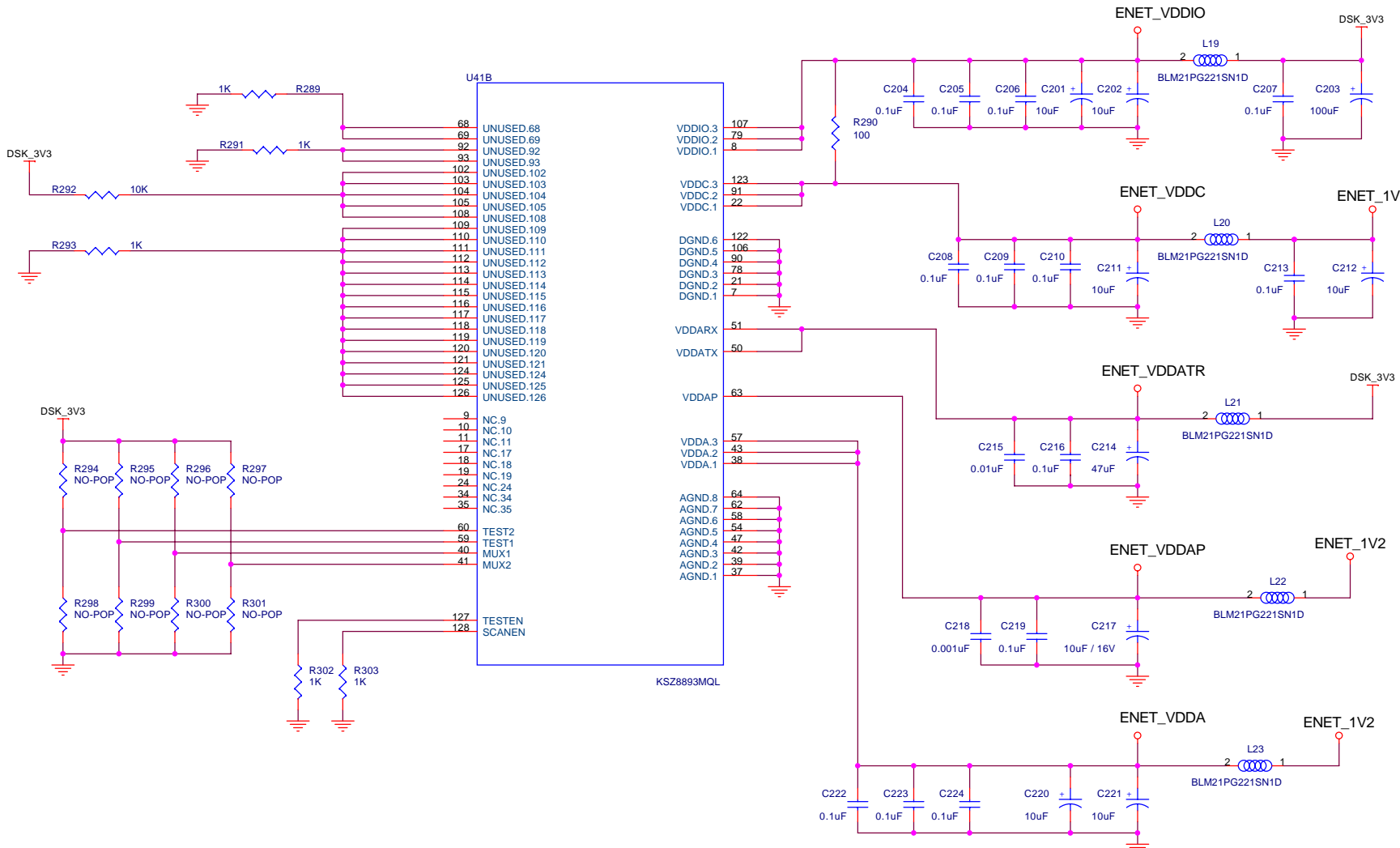
SPECTRUM DIGITAL INCORPORATED			
Title: DA830 EVM			
Page Contents: AIC3106 AUDIO INTERFACE			
Size: B	DWG NO	511142-0001	Revision: B
Date: Monday, August 25, 2008	Sheet 22 of 32		



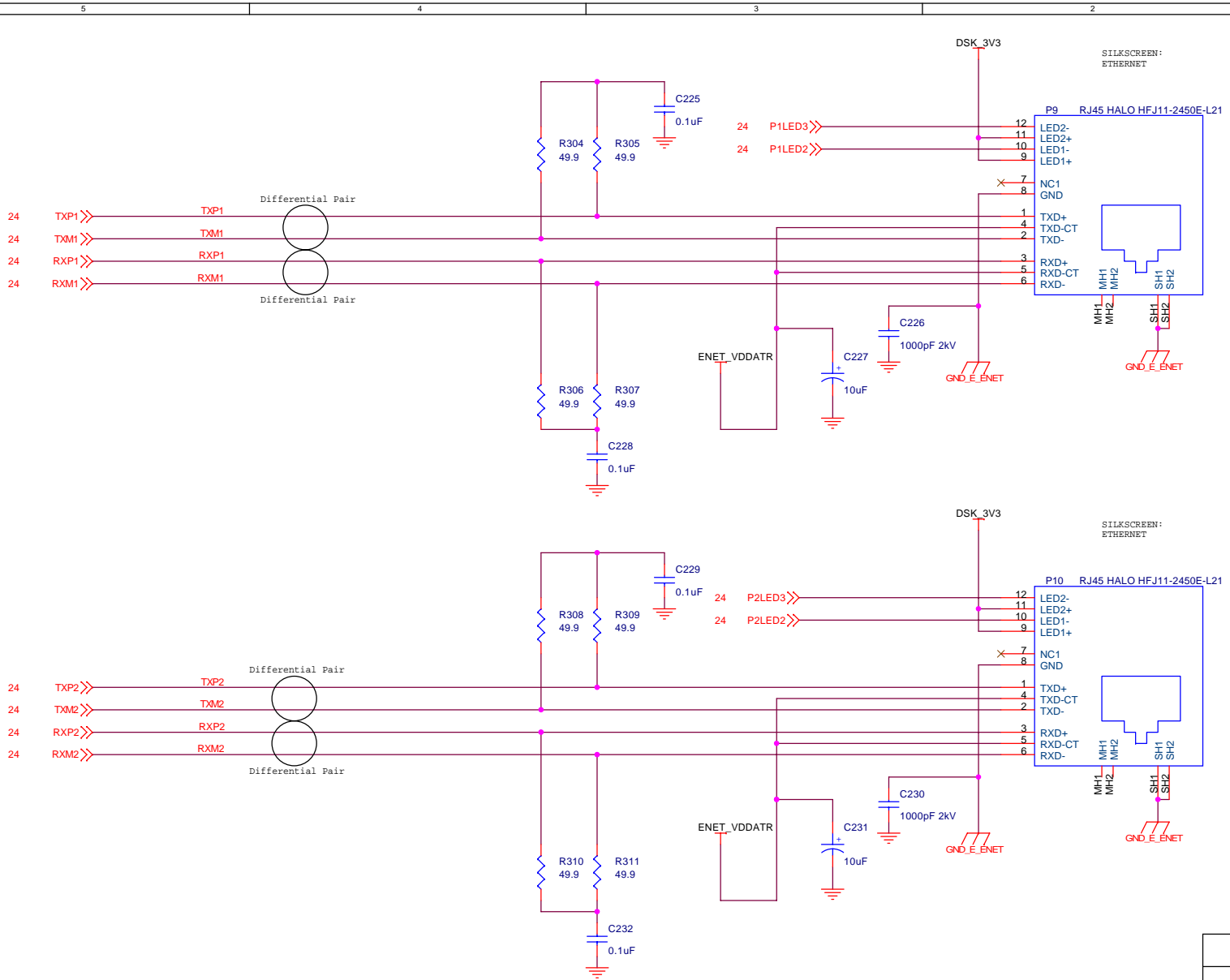
SPECTRUM DIGITAL INCORPORATED			
Title: DA830 EVM			
Page Contents: AIC3106 RJ11 INTERFACES			
Size: B	DWG NO	511142-0001	Revision: A
Date:	Monday, August 25, 2008	Sheet 23 of	32



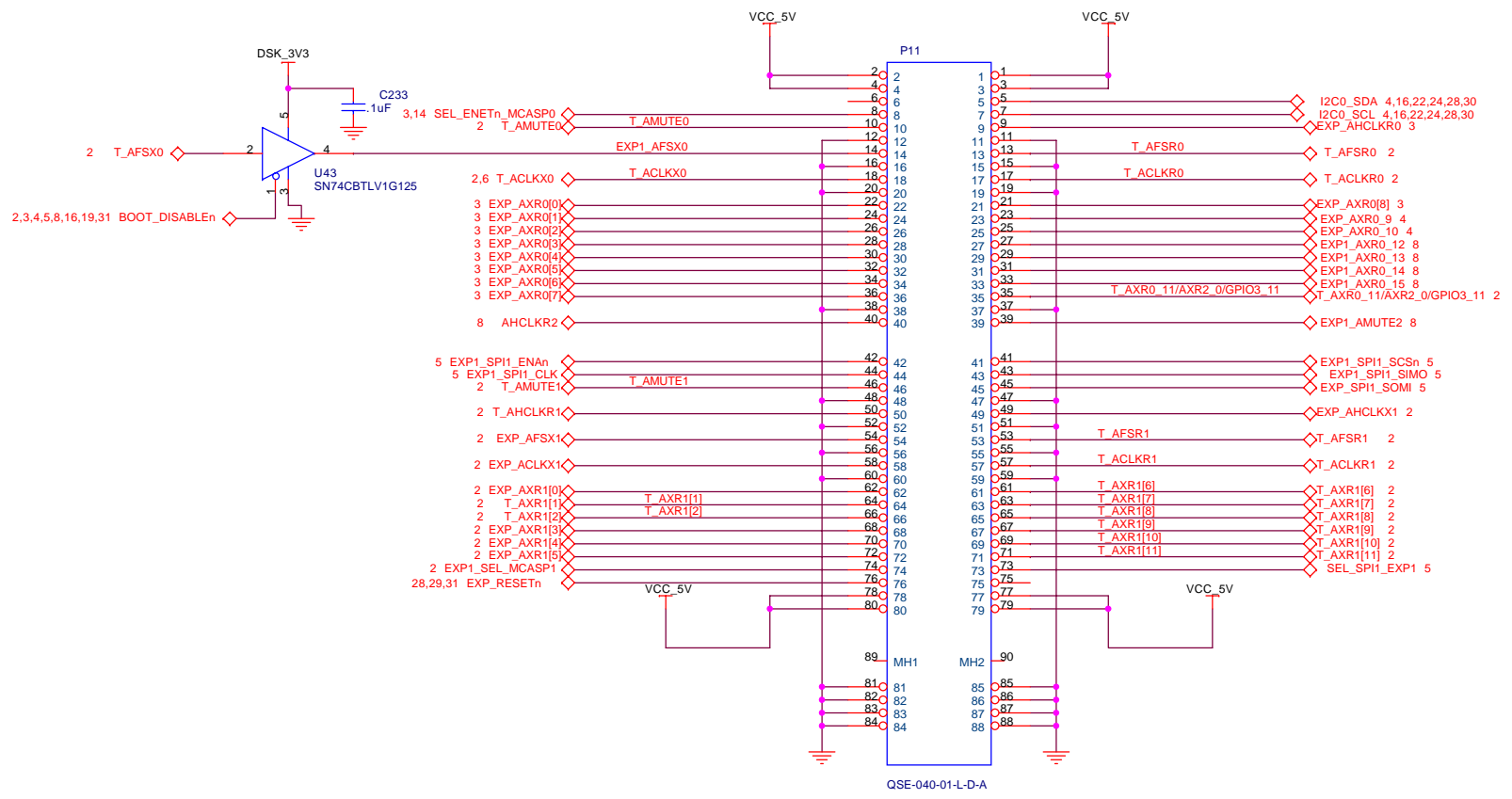
SPECTRUM DIGITAL INCORPORATED			
Title: DA830 EVM			
Page Contents: KSZ8893MQL ETHERNET/PHY/SWITCH			
Size: B	DWG NO	511142-0001	Revision: B
Date:	Monday, August 25, 2008	Sheet 24 of	32



SPECTRUM DIGITAL INCORPORATED			
Title: DA830 EVM			
Page Contents: KSZ8893MQL ETHERNET POWER			
Size: B	DWG NO	511142-0001	Revision: A
Date:	Monday, August 25, 2008	Sheet 25 of	32



SPECTRUM DIGITAL INCORPORATED			
Title:		DA830 EVM	
Page Contents: KSZ8893MQL ETHERNET PORTS			
Size: B	DWG NO	511142-0001	Revision: A
Date:	Monday, August 25, 2008		Sheet 26 of 32

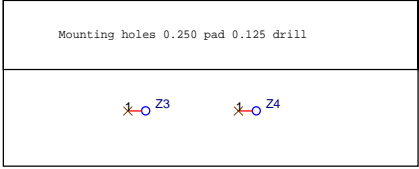
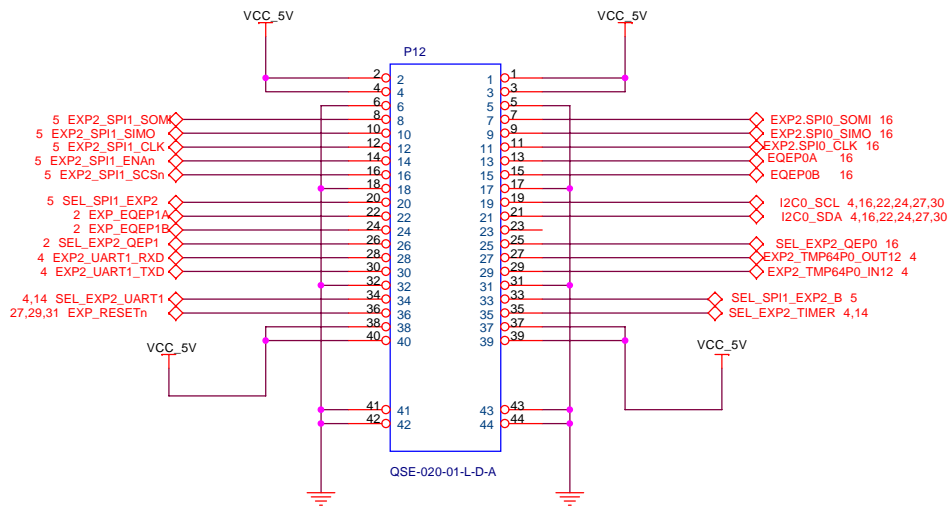


QSE-040-01-L-D-A

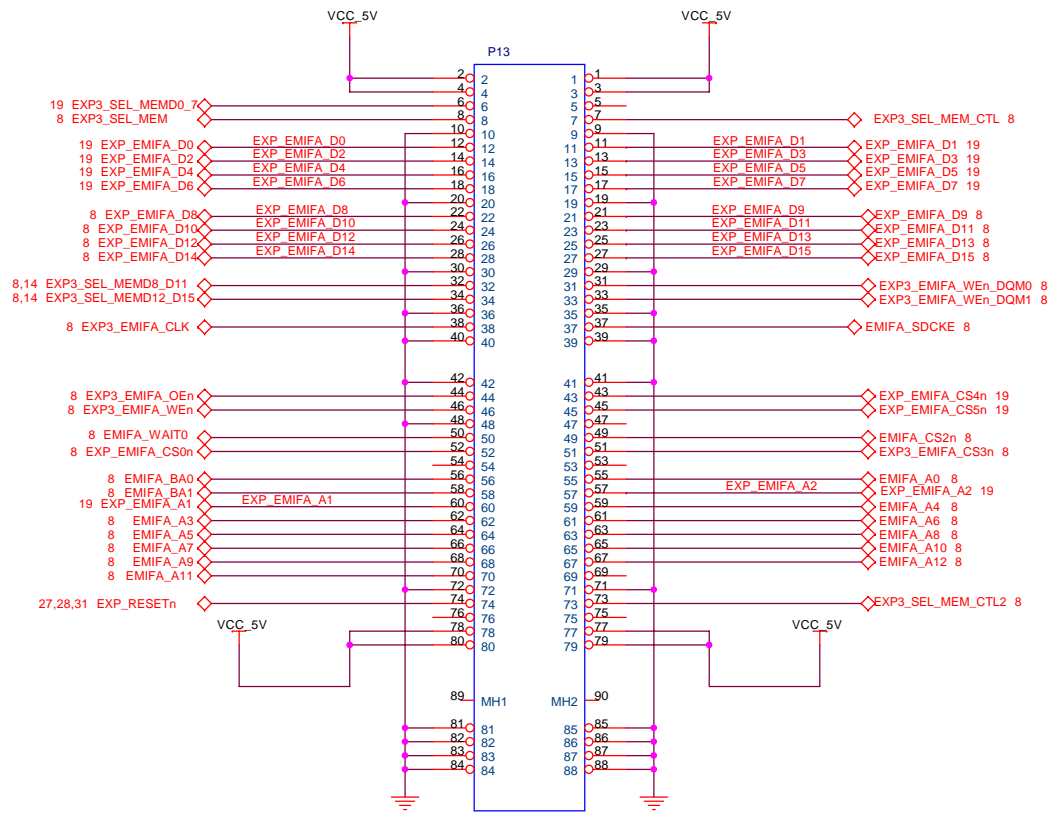
Mounting holes 0.250 pad 0.125 drill



SPECTRUM DIGITAL INCORPORATED			
Title: DA830 EVM			
Page Contents: AUDIO / EXPANSION COINNECTOR 1			
Size: B	DWG NO	511142-0001	Revision: A
Date:	Monday, August 25, 2008	Sheet 27 of	32



SPECTRUM DIGITAL INCORPORATED			
Title:		DA830 EVM	
Page Contents: EXPANSION 2			
Size: B	DWG NO	511142-0001	Revision: A
Date:	Monday, August 25, 2008	Sheet 28 of	32

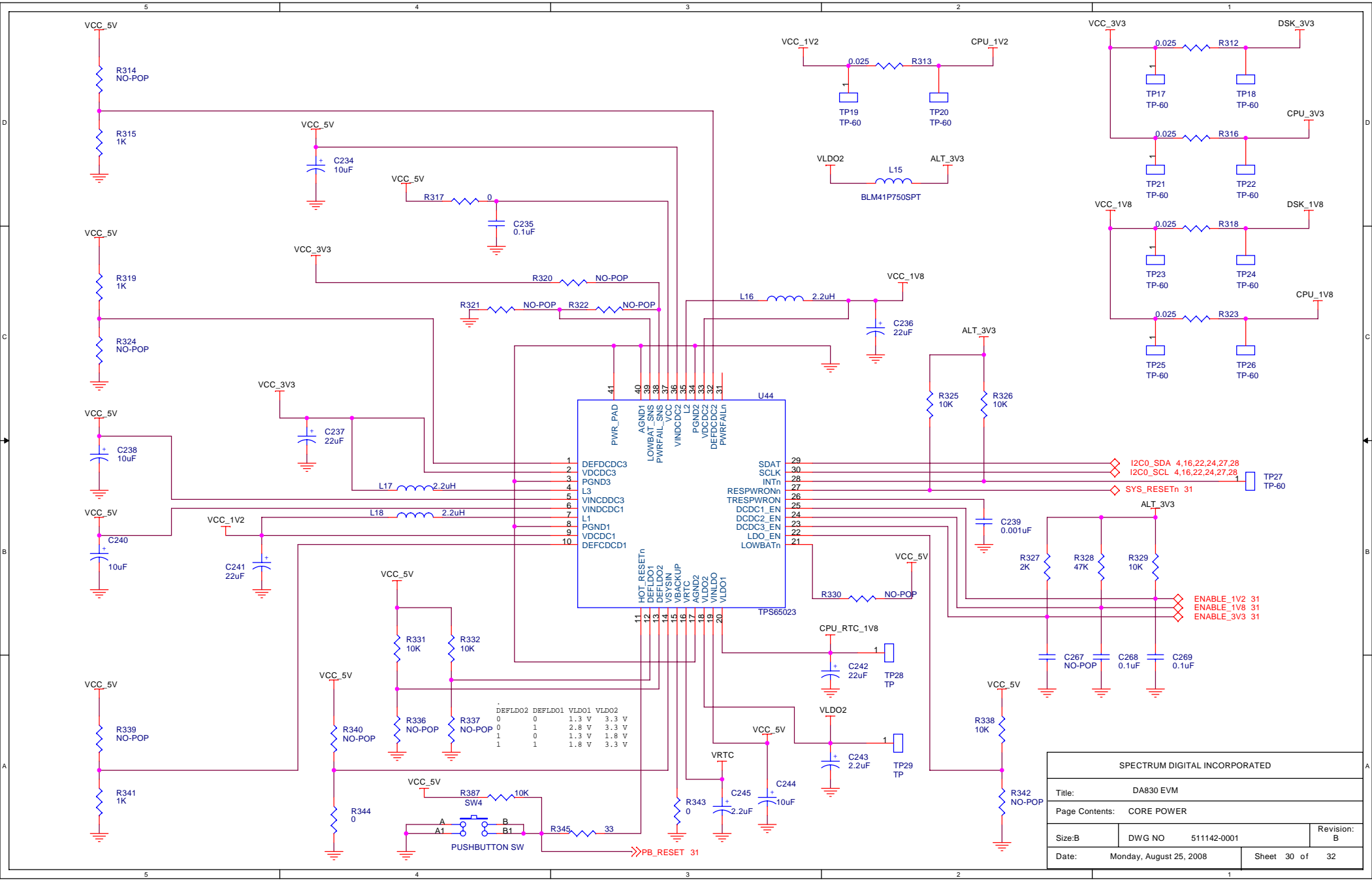


QSE-040-01-L-D-A

Mounting holes 0.250 pad 0.125 drill

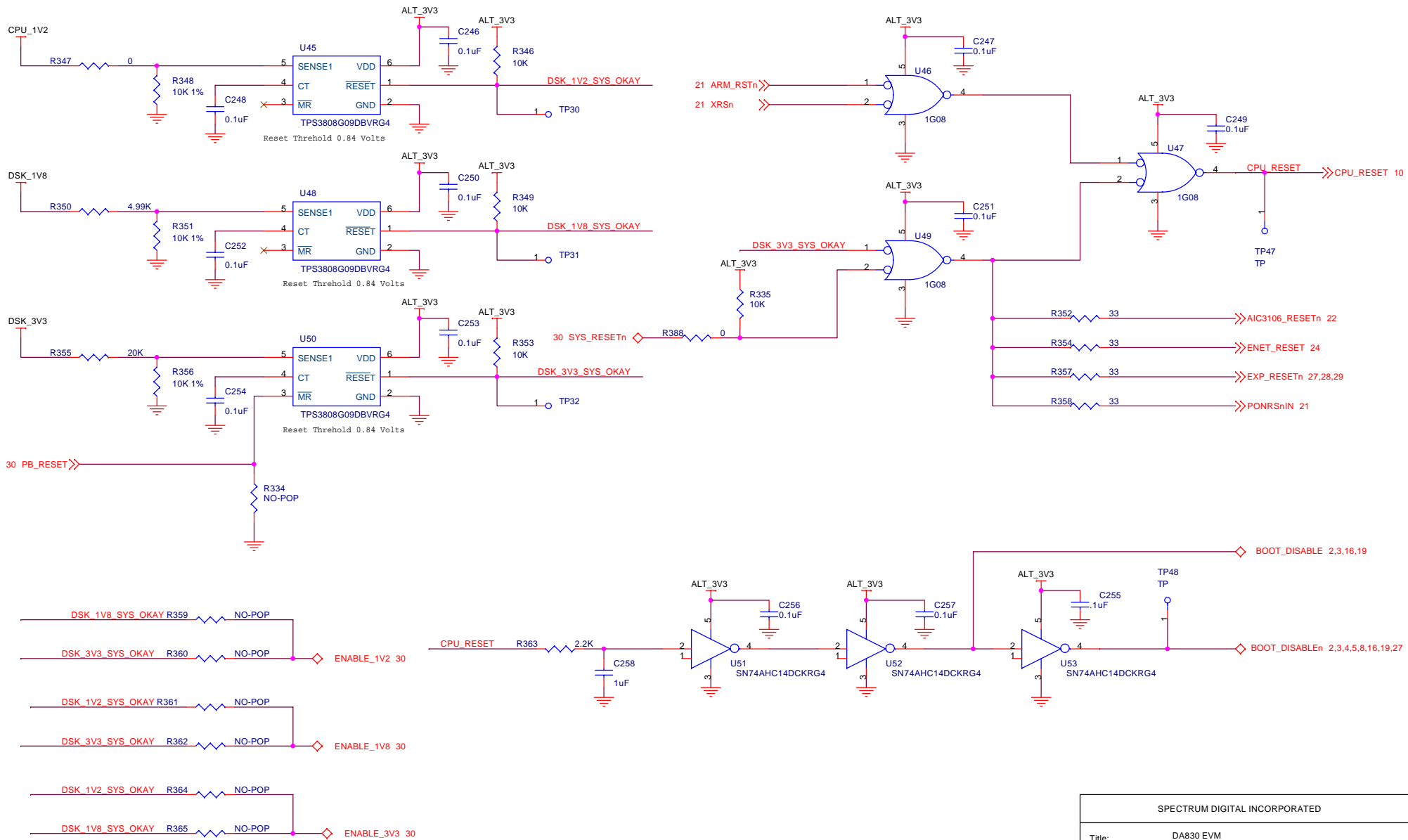
⊗ Z5

SPECTRUM DIGITAL INCORPORATED			
Title: DA830 EVM			
Page Contents: EXPANSION 3			
Size: B	DWG NO	511142-0001	Revision: B
Date:	Monday, August 25, 2008	Sheet 29 of	32



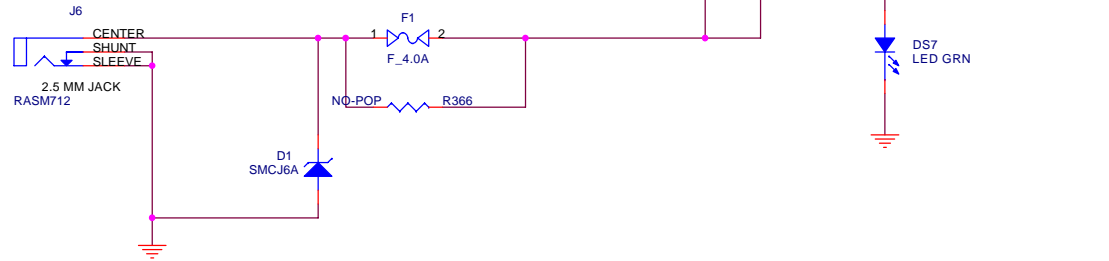
	DEFVLD02	DEFVLD01	VLD01	VLD02
0	0	0	1.3 V	3.3 V
1	0	1	2.8 V	3.3 V
1	0	1	1.3 V	1.8 V
1	1	1	1.8 V	3.3 V

SPECTRUM DIGITAL INCORPORATED			
Title: DA830 EVM			
Page Contents: CORE POWER			
Size: B	DWG NO	511142-0001	Revision: B
Date:	Monday, August 25, 2008	Sheet	30 of 32

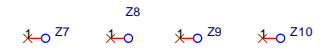


SPECTRUM DIGITAL INCORPORATED			
Title: DA830 EVM			
Page Contents: POWER IN			
Size: B	DWG NO	511142-0001	Revision: B
Date:	Monday, August 25, 2008	Sheet 31 of 32	

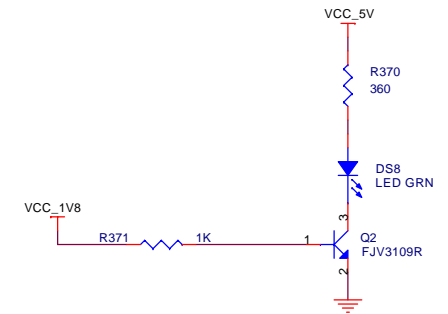
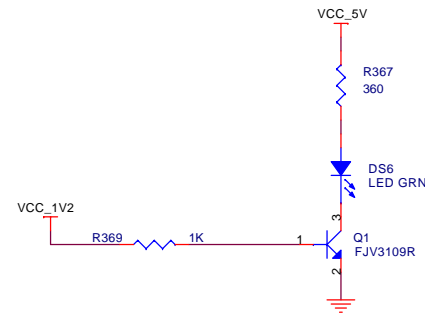
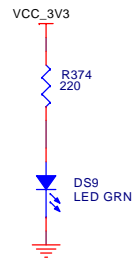
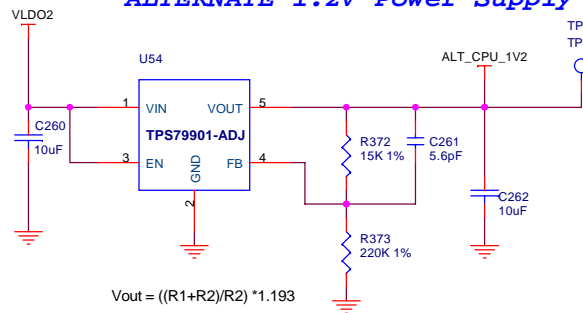
SILKSCREEN:
5V IN



Mounting holes 0.250 pad 0.125 drill



ALTERNATE 1.2V Power Supply



SPECTRUM DIGITAL INCORPORATED			
Title: DA830 EVM			
Page Contents: POWER IN			
Size: B	DWG NO: 511142-0001	Revision: B	
Date: Monday, August 25, 2008	Sheet 32 of 32		