

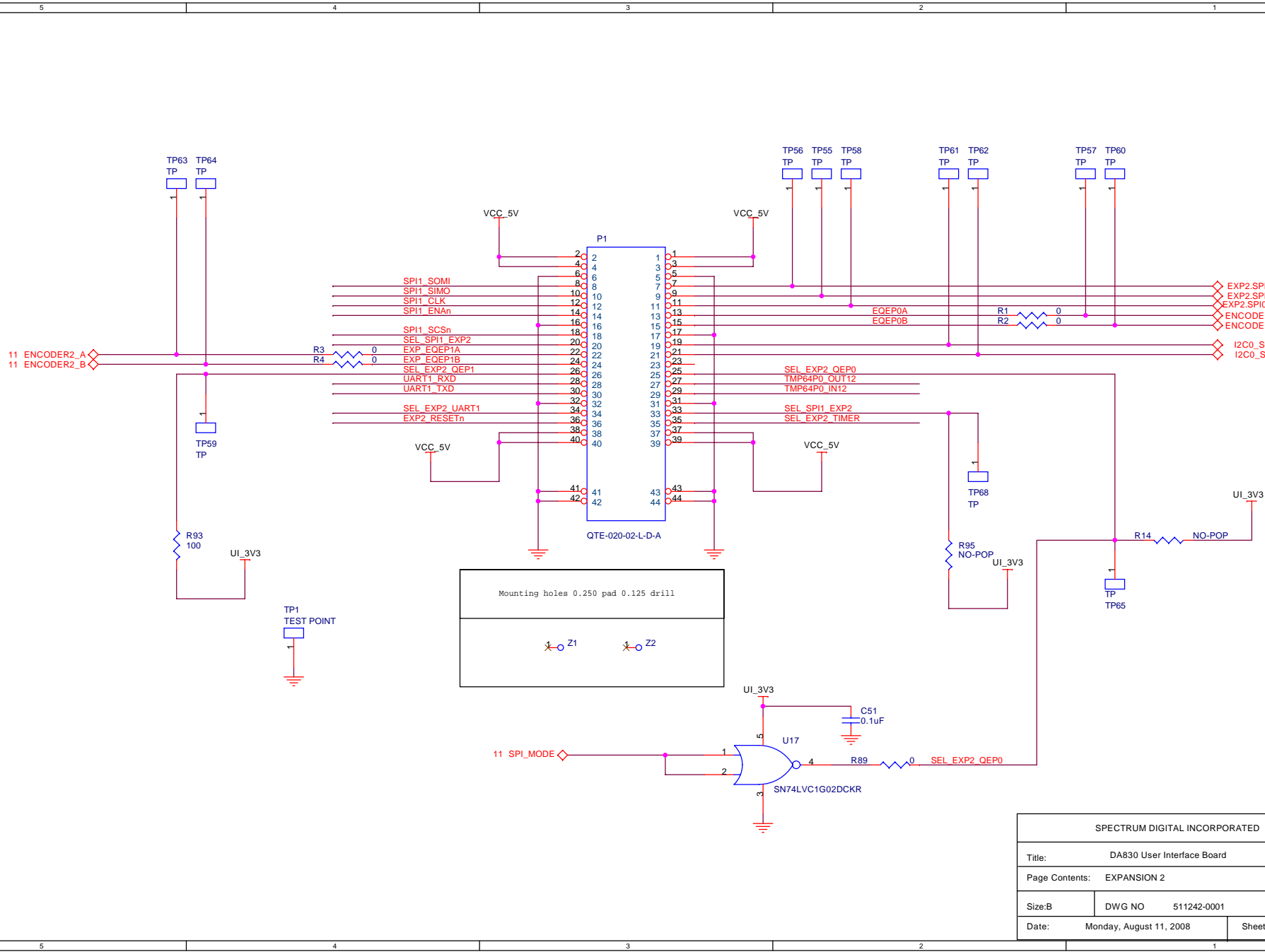
Schematic Contents

- 01 - Title Page
- 02- Serial Expansion
- 03 - EMIF-A Expansion
- 04 - EMIF/LCD Muxing
- 05 - Boot Select Device SW
- 06 - NAND Flash
- 07 - NOR Flash
- 08 - SPI Flash
- 09 - LCD Display
- 10 - Character Display
- 11 - User Switches/Encoders
- 12 - Power

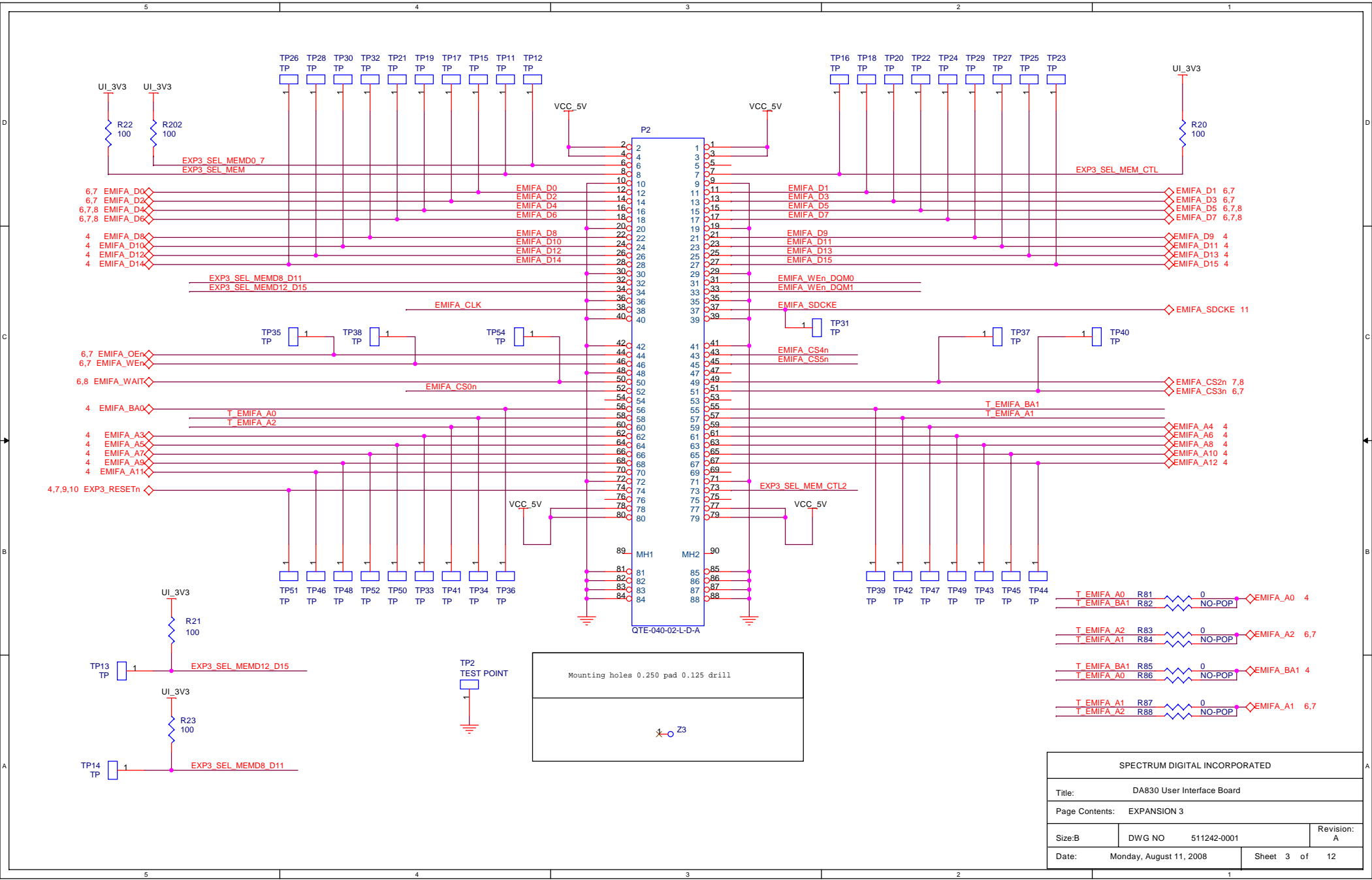
REVISION STATUS OF SHEETS

REV	1	2	3	4	5	6	7	8	9	10	APPLICATION	USED ON	DATE	BY		
														DWN	R.R.P.	06/01/2008
														CHK	T.W.K.	06/01/2008
SH														ENGR	R.R.P.	12/01/2006
REV	A	A	A	A	A	A								ENGR-MGR	R.R.P.	06/01/2008
SH	11	12	13	14	15	16								QA	C.M.D.	06/01/2008
REV	B	B	B	B	B	A	A	A	A	A	NEXT ASSY	USED ON		MFG	R.R.P.	06/01/2008
SH	1	2	3	4	5	6	7	8	9	10	APPLICATION			RLSE	R.R.P.	06/01/2008

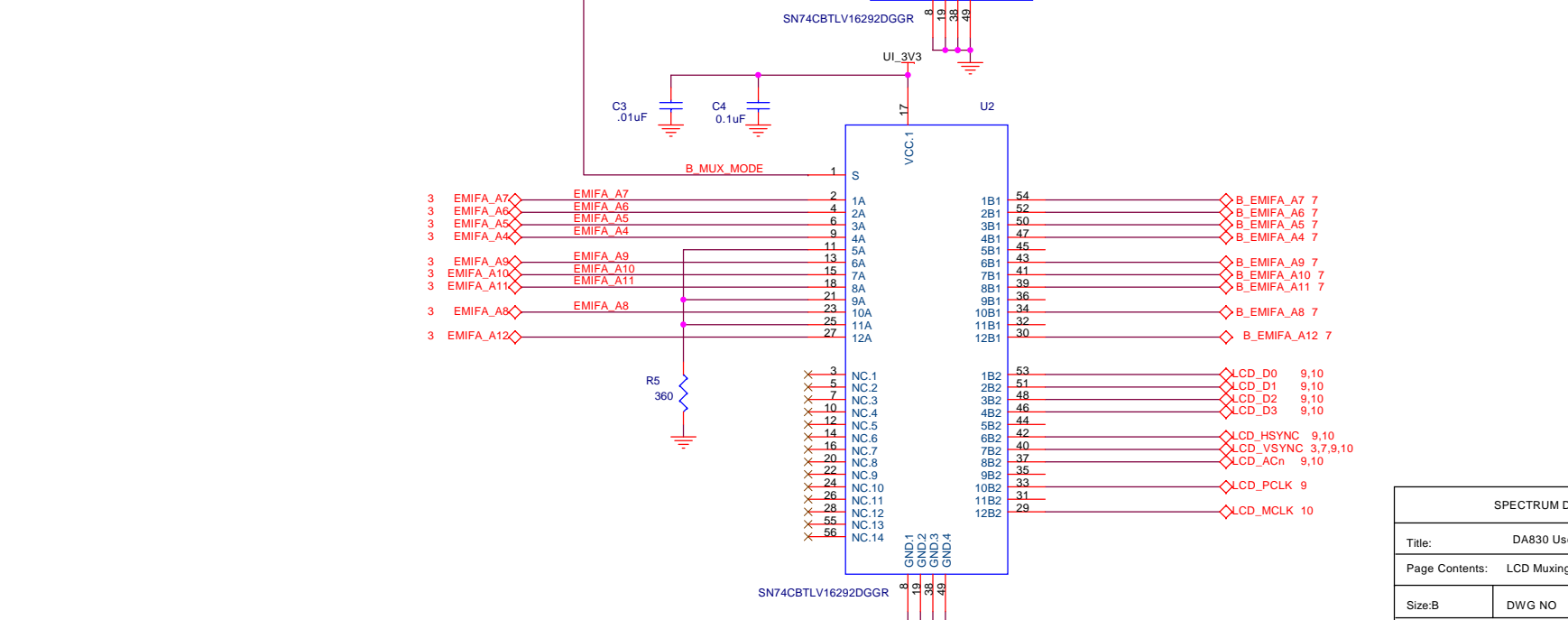
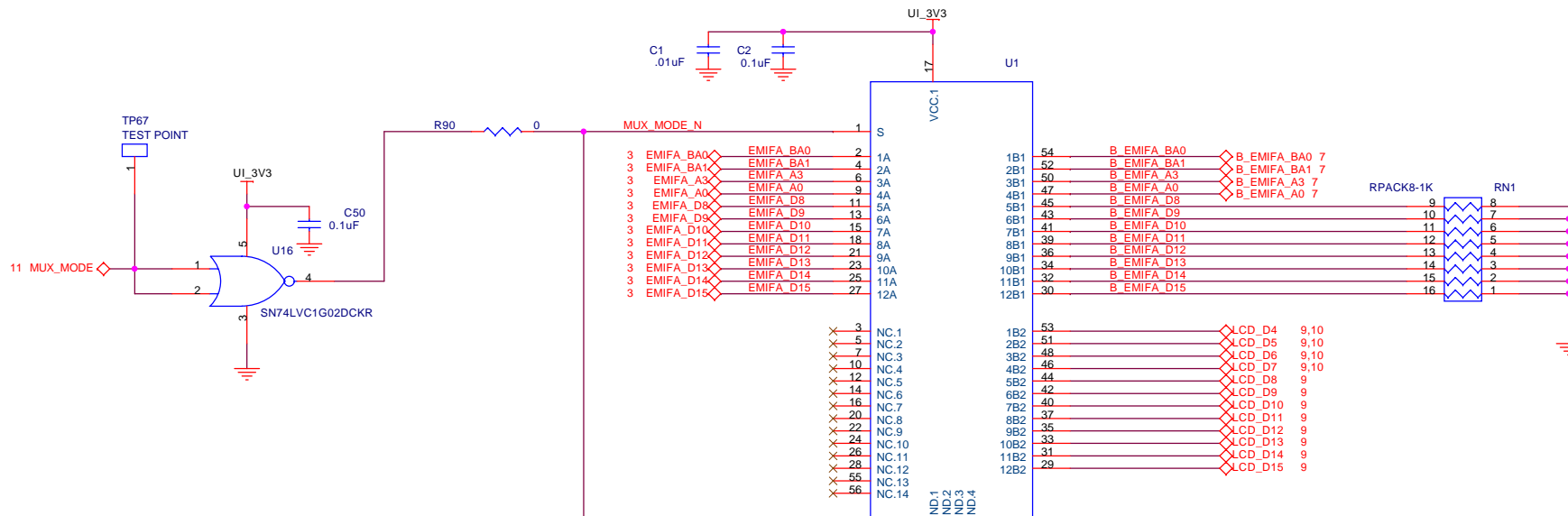
SPECTRUM DIGITAL INCORPORATED			
Title: DA830 User Interface Board			
Page Contents: TITLE PAGE			
Size: B	DWG NO	511242-0001	Revision: A
Date: Tuesday, August 05, 2008		Sheet 1 of 12	



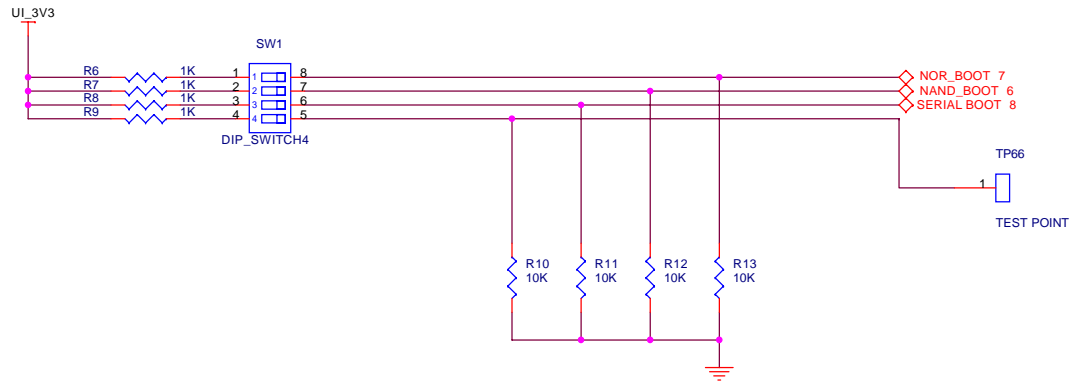
SPECTRUM DIGITAL INCORPORATED			
Title: DA830 User Interface Board			
Page Contents: EXPANSION 2			
Size: B	DWG NO	511242-0001	Revision: A
Date:	Monday, August 11, 2008	Sheet 2 of	12



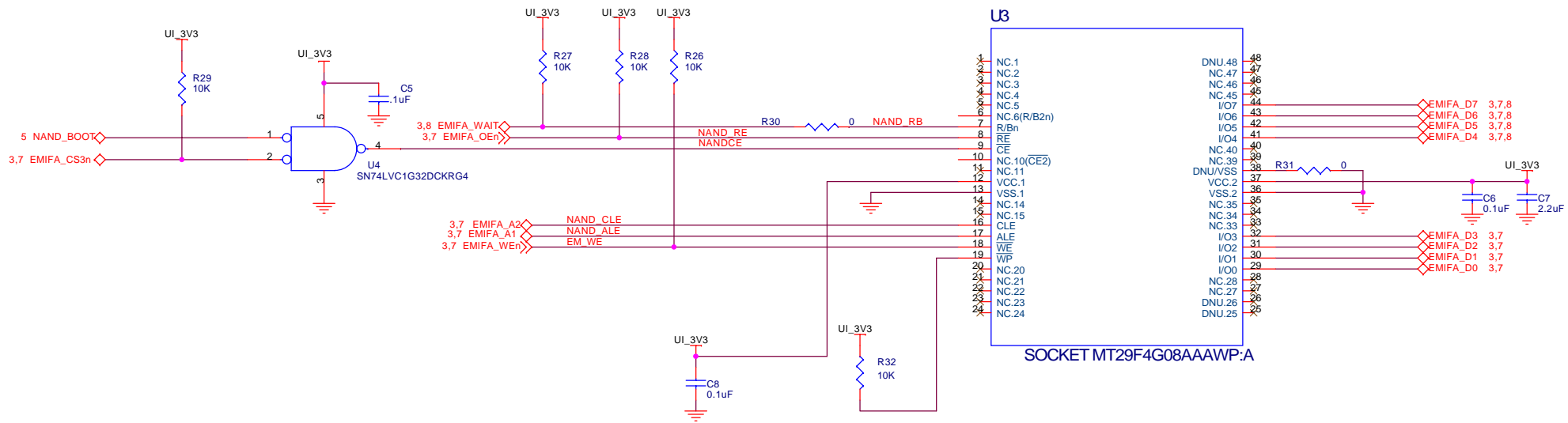
SPECTRUM DIGITAL INCORPORATED			
Title: DA830 User Interface Board			
Page Contents: EXPANSION 3			
Size: B	DWG NO	511242-0001	Revision: A
Date:	Monday, August 11, 2008	Sheet 3 of 12	



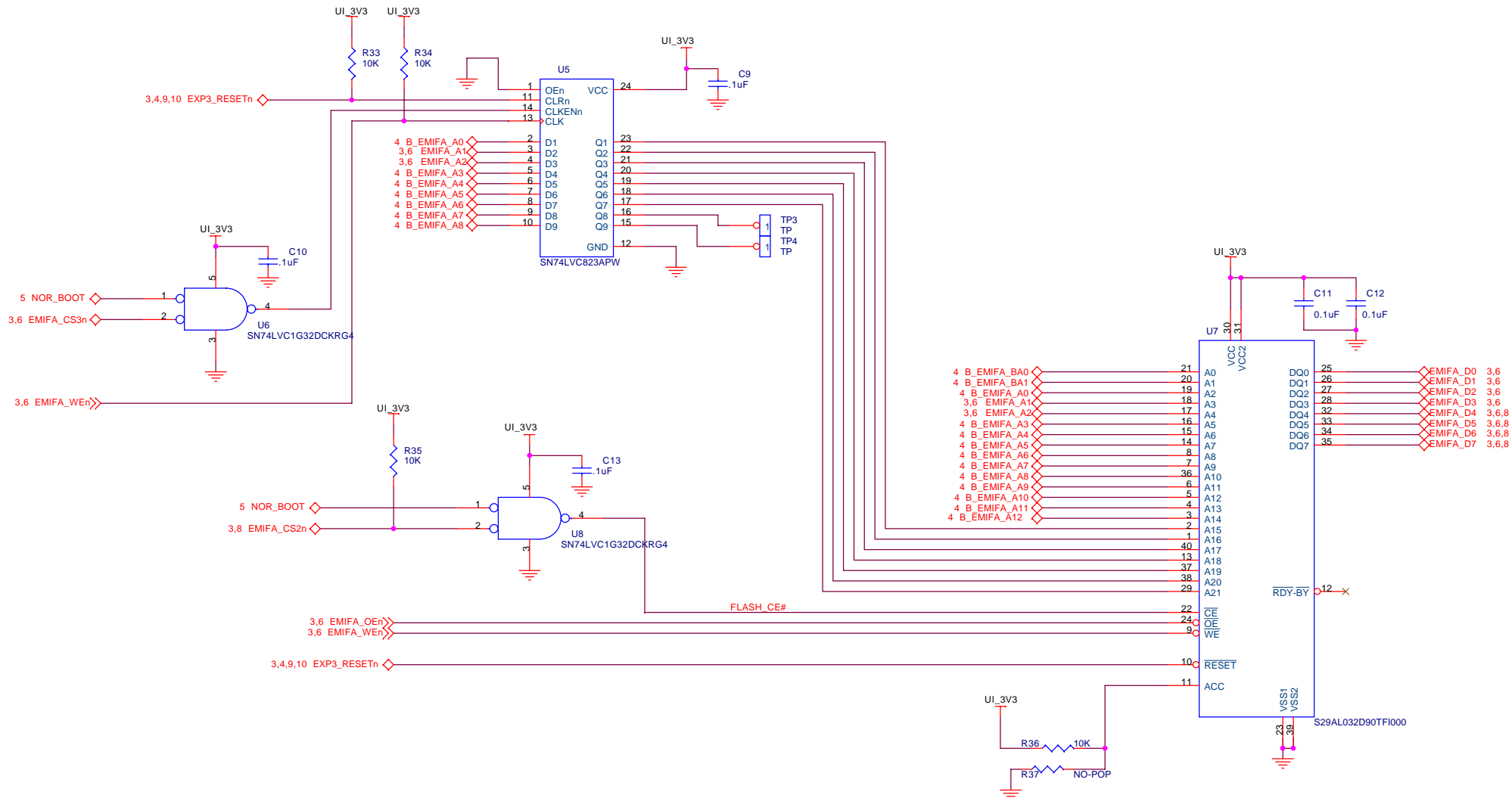
SPECTRUM DIGITAL INCORPORATED			
Title: DA830 User Interface Board			
Page Contents: LCD Muxing			
Size: B	DWG NO	511242-0001	Revision: A
Date:	Monday, August 11, 2008	Sheet 4	of 12



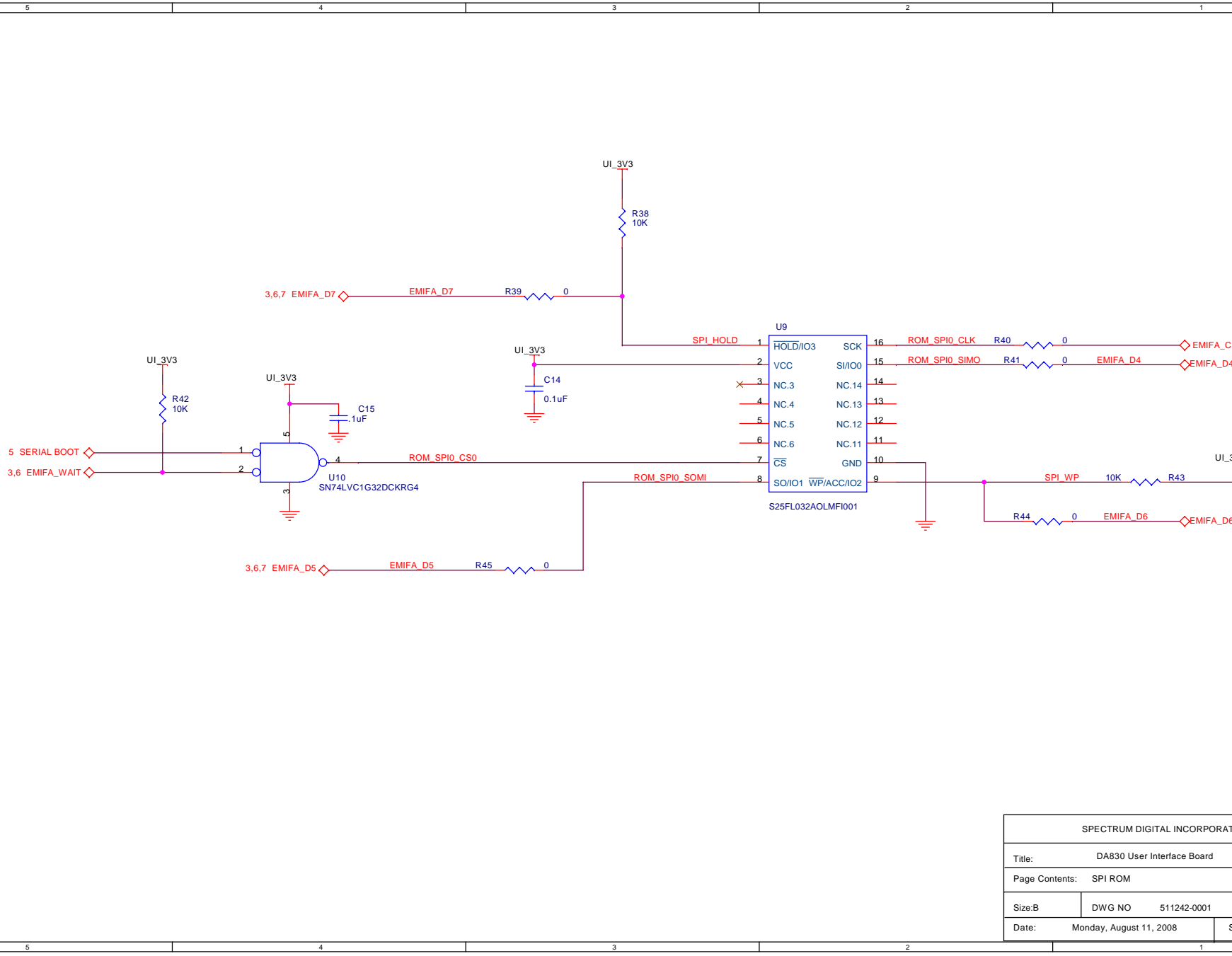
SPECTRUM DIGITAL INCORPORATED			
Title: DA830 User Interface Board			
Page Contents: NAND FLASH			
Size: B	DWG NO	511242-0001	Revision: A
Date:	Tuesday, August 05, 2008	Sheet 5 of	12



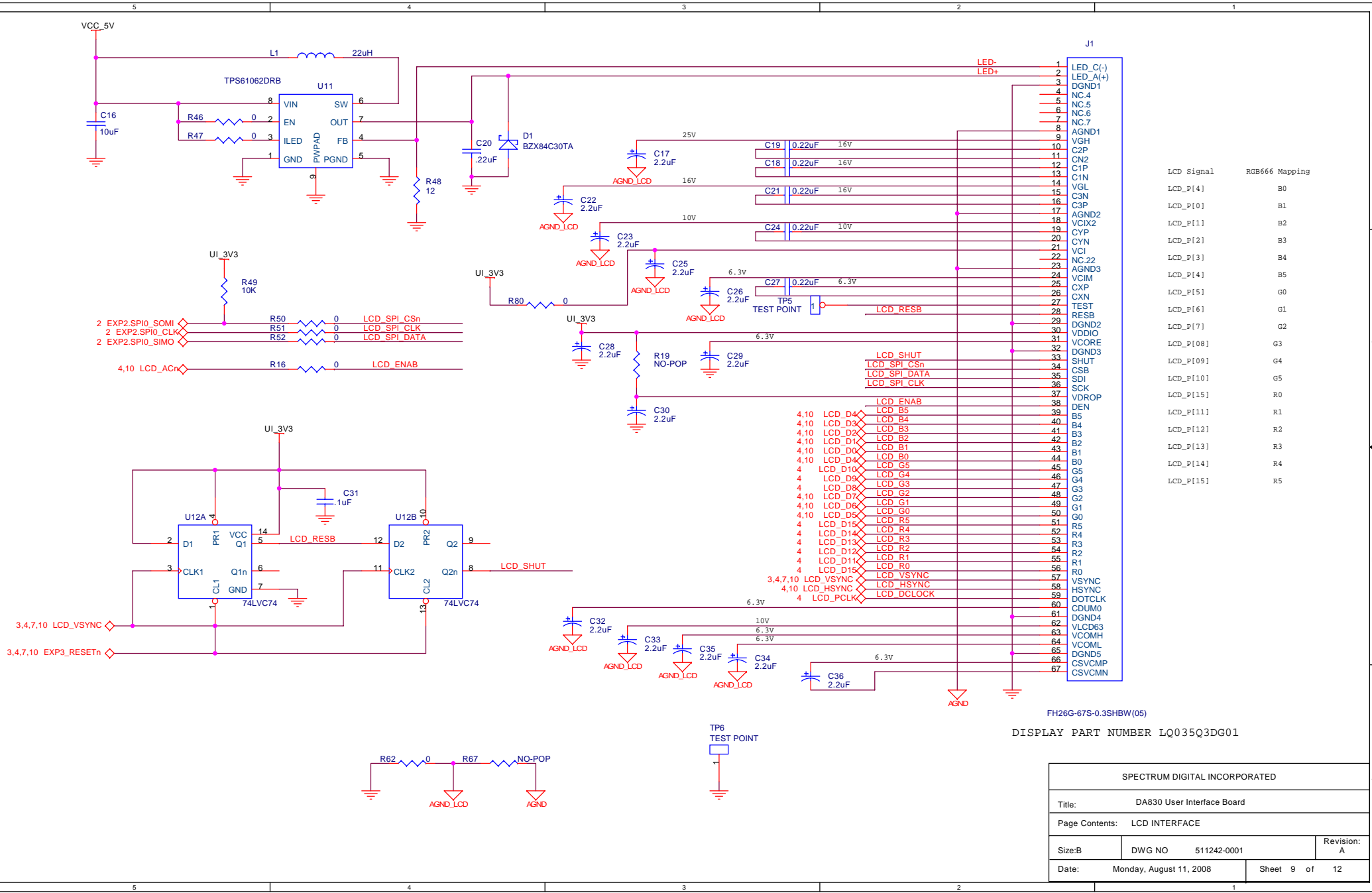
SPECTRUM DIGITAL INCORPORATED			
Title: DA830 User Interface Board			
Page Contents: NAND FLASH			
Size: B	DWG NO	511242-0001	Revision: A
Date:	Monday, August 11, 2008		Sheet 6 of 12



SPECTRUM DIGITAL INCORPORATED			
Title: DA830 User Interface Board			
Page Contents: FLASH			
Size: B	DWG NO	511242-0001	Revision: A
Date:	Monday, August 11, 2008	Sheet 7 of 12	



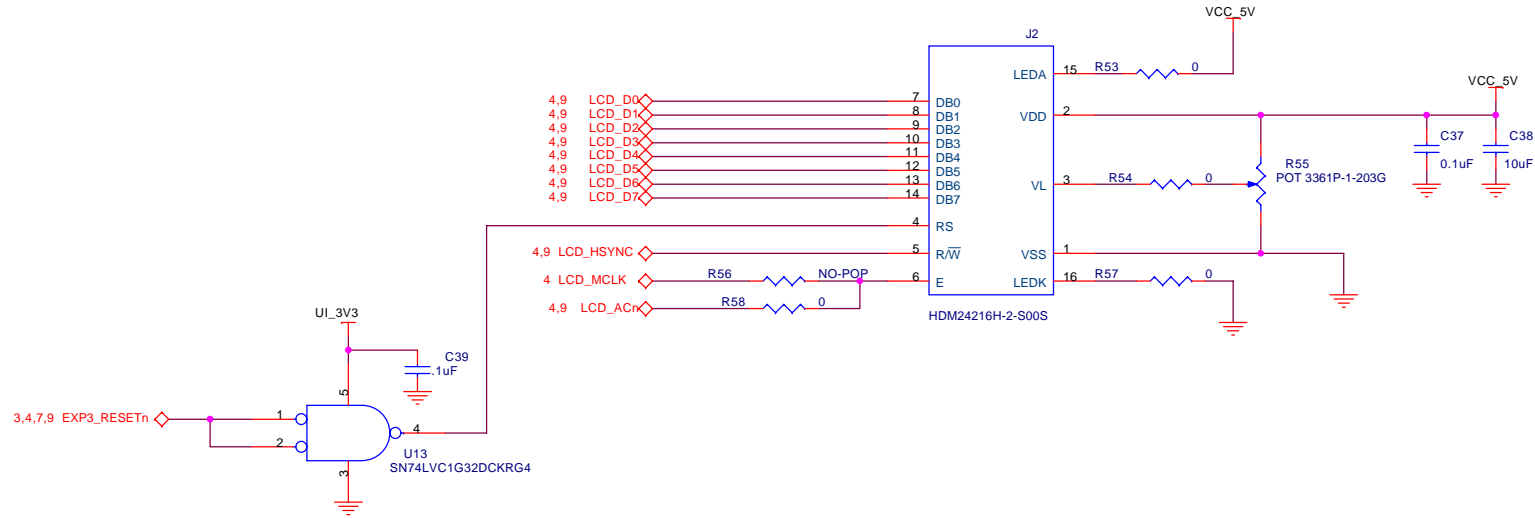
SPECTRUM DIGITAL INCORPORATED			
Title: DA830 User Interface Board			
Page Contents: SPI ROM			
Size: B	DWG NO	511242-0001	Revision: A
Date:	Monday, August 11, 2008		Sheet 8 of 12



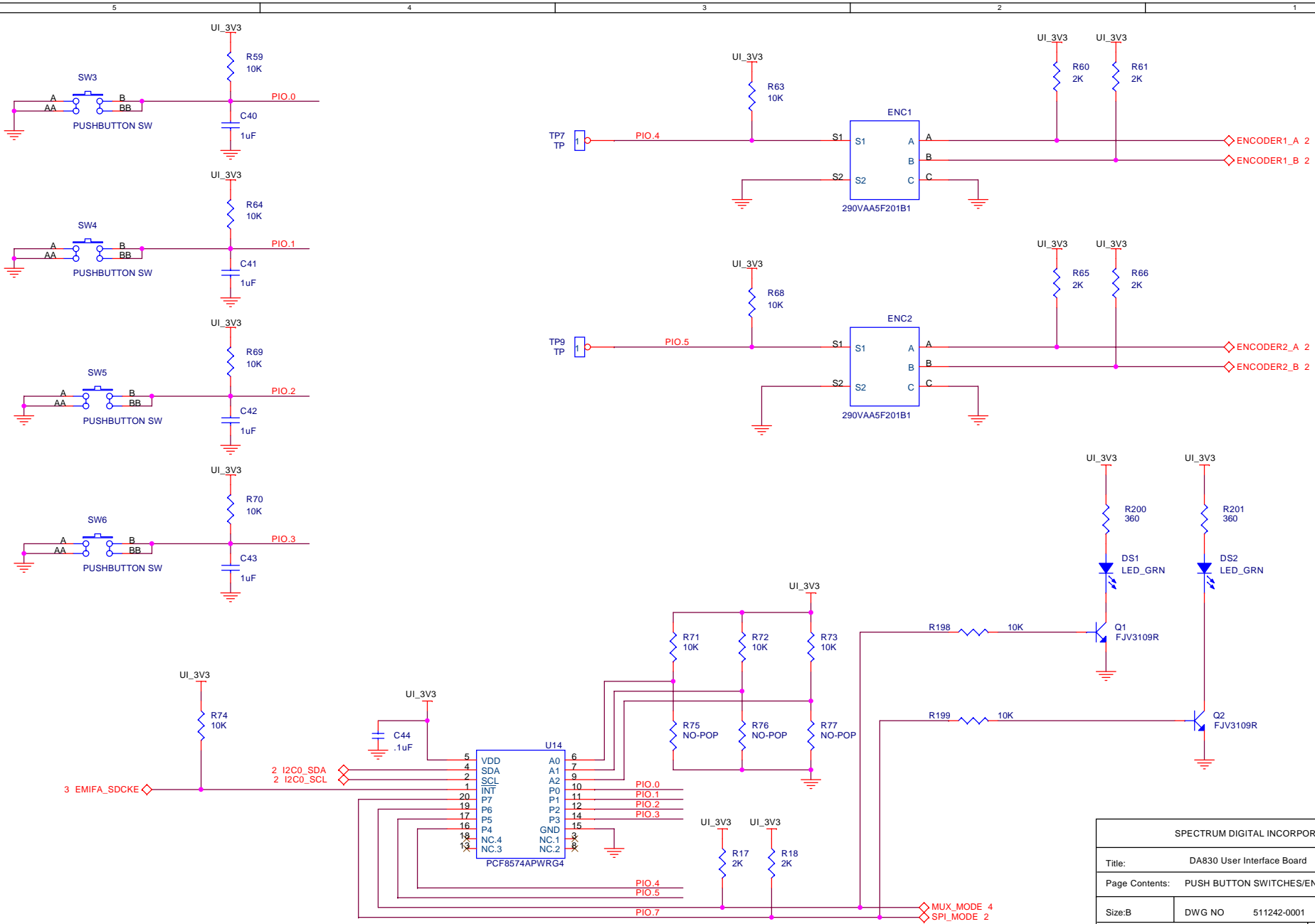
FH26G-67S-0.3SHBW(05)

DISPLAY PART NUMBER LQ035Q3DG01

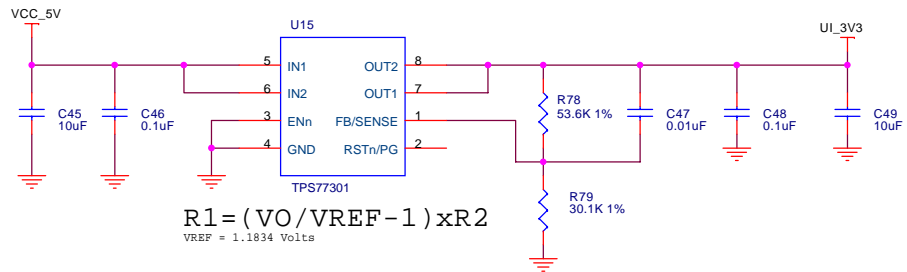
SPECTRUM DIGITAL INCORPORATED			
Title: DA830 User Interface Board			
Page Contents: LCD INTERFACE			
Size: B	DWG NO	511242-0001	Revision: A
Date:	Monday, August 11, 2008	Sheet 9 of	12



SPECTRUM DIGITAL INCORPORATED			
Title: DA830 User Interface Board			
Page Contents: CHARACTER DISPLAY			
Size: B	DWG NO	511242-0001	Revision: A
Date:	Monday, August 11, 2008		Sheet 10 of 12



SPECTRUM DIGITAL INCORPORATED			
Title: DA830 User Interface Board			
Page Contents: PUSH BUTTON SWITCHES/ENCODER			
Size: B	DWG NO: 511242-0001	Revision: A	
Date: Monday, August 11, 2008	Sheet 11 of 12		



$$R1 = (VO/VREF - 1) \times R2$$

$V_{REF} = 1.1834 \text{ Volts}$

SPECTRUM DIGITAL INCORPORATED			
Title: DA830 User Interface Board			
Page Contents: ENCODERS			
Size: B	DWG NO	511242-0001	Revision: A
Date:	Tuesday, August 05, 2008	Sheet	12 of 12