

Spectrum Digital Incorporated

Oct 15, 2008

Assembly 511140-0001

Revision: B to C

Product Name: TMS320DA830 DSK

Affects:

SHEET7

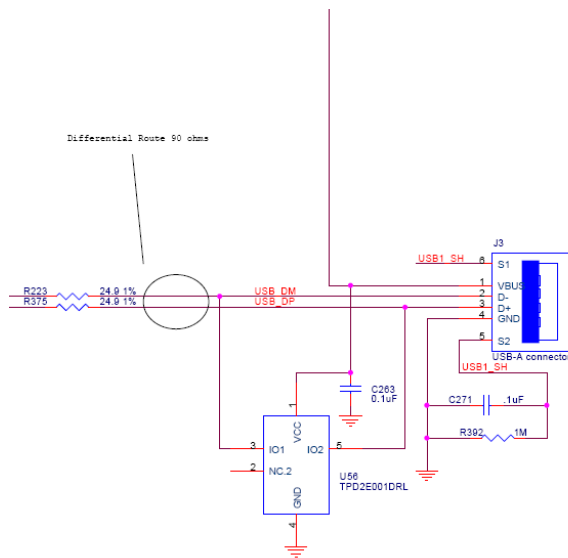
SHEET11

SHEET14

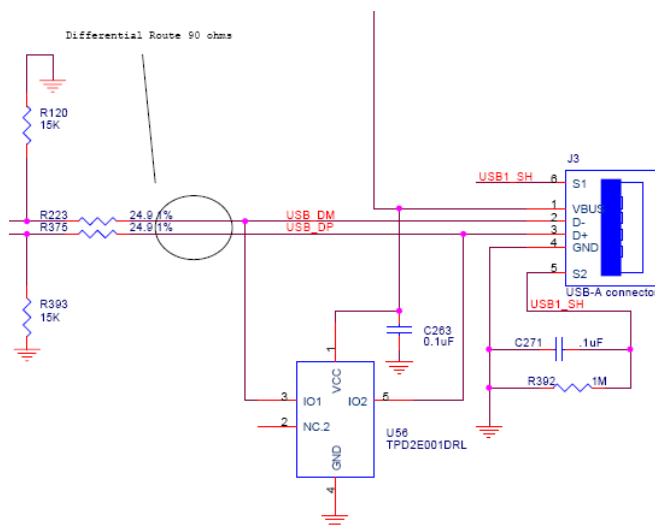
## SHEET 7

Pull downs added on USB\_DM and USB\_DP lines.  
Change to fix pull downs that were not present on the DA830 device  
Change necessary for USB1 Host mode applications.  
Added R120, R393

### Revision B



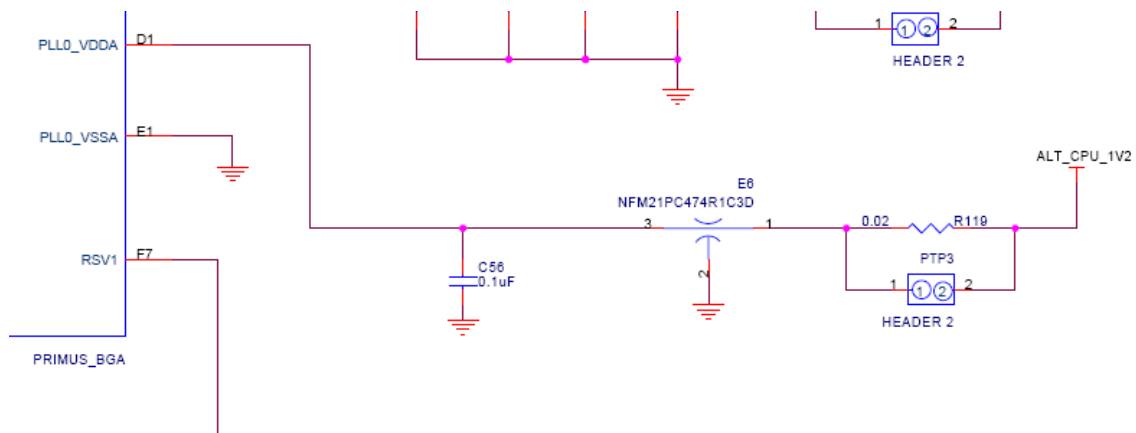
### Revision C



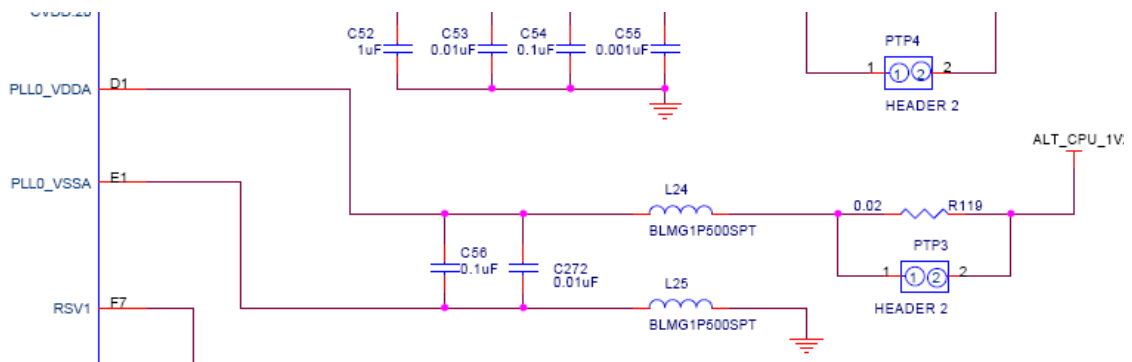
## SHEET 11

Filter for PLL0\_VDDA and PLL0\_VSSA pins change, to match TI recommended circuit in the data sheet. Change provides no functional difference.  
Deleted E6 and added L24,L25 and C272

### Revision B



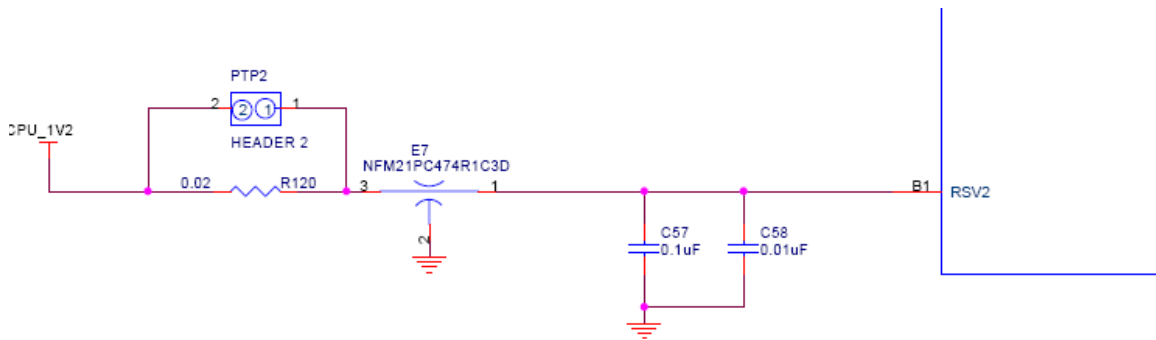
### Revision C



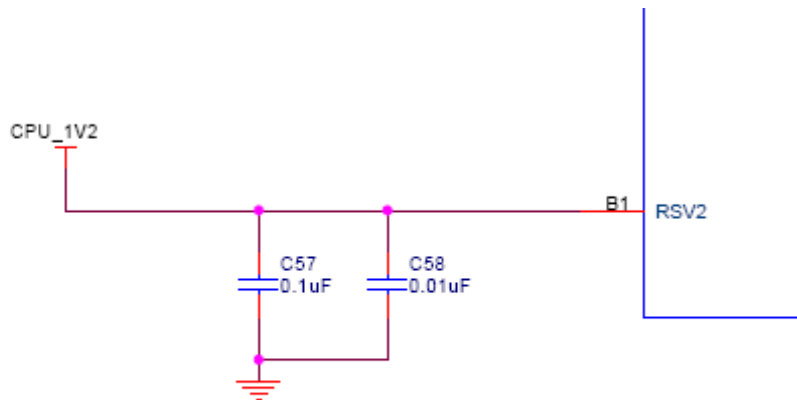
# SHEET 11

Removed Power test point and Filter on pin RSV2. Change provides no functional difference.  
Deleted E7, PTP2, R120

## Revision B



## Revision C





SHEET 14

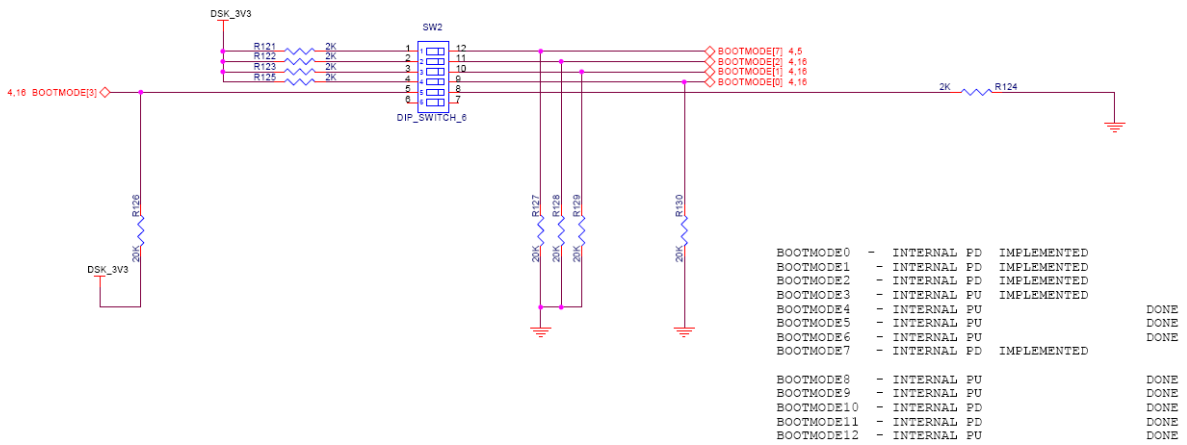
Changed boot switch circuit for BOOTMODE[3].

Change allows all boot mode pins to be HIGH in the ON position, versus on Revision B where BOOTMODE[3] was high in the off position ( SW3-position 5 ).

Only affects boot set up on Switch.

Added U60, U61, C273, C274, changed values of R126 and R124

Revision B



Revision C

