

SCHMATIC CONTENTS

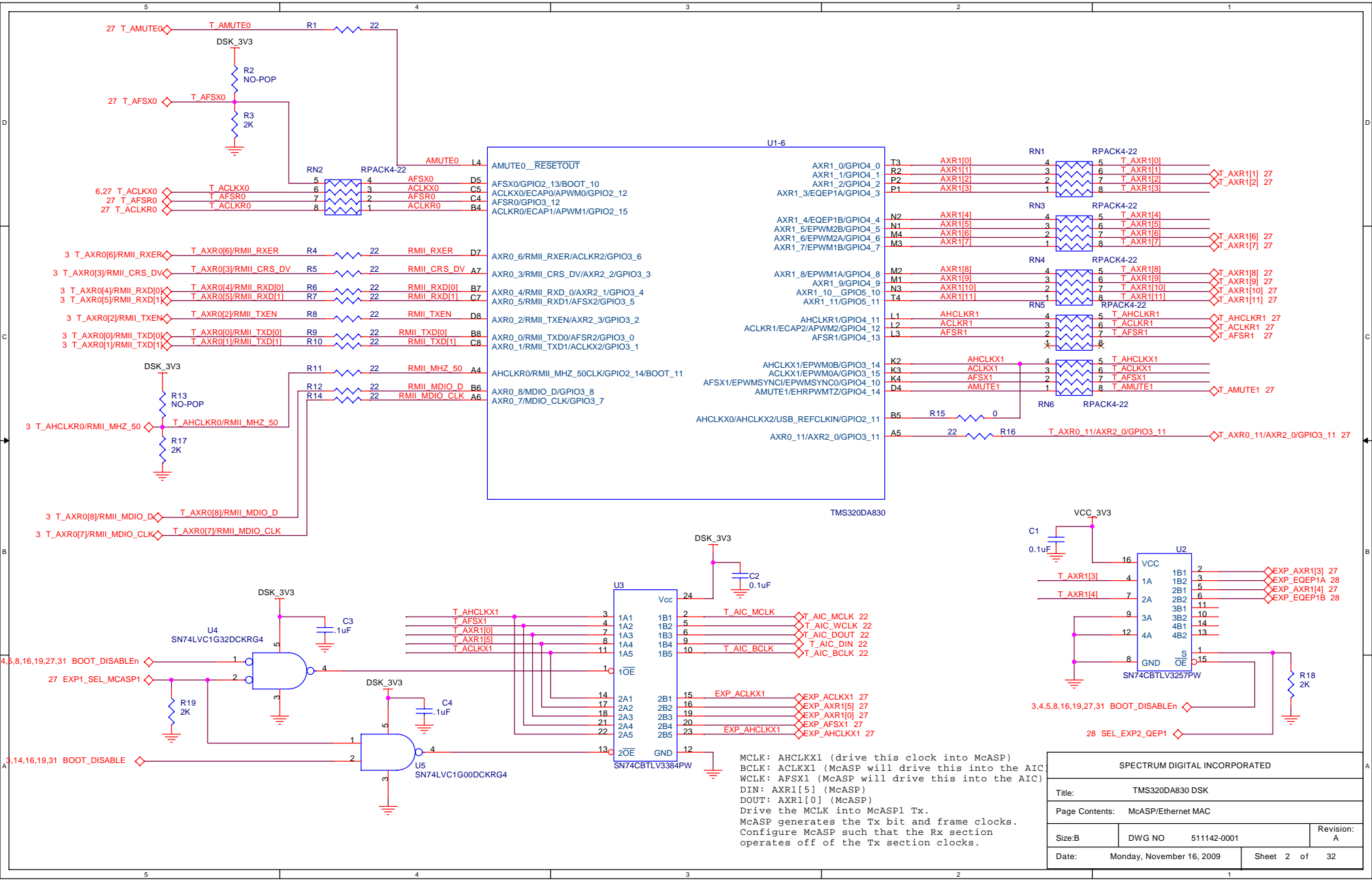
- SHEET01 - TITLE PAGE
- SHEET02 - DA830 McASP/ETHERNET
- SHEET03 - ETHERNET/McASP MUX
- SHEET04 - DA830 SERIAL I/O
- SHEET05 - SPI MUXING
- SHEET06 - DA830 USB 2.0 PORT
- SHEET07 - DA830 USB 1.0 PORT
- SHEET08 - DA830 EMIF A
- SHEET09 - DA830 EMIF B
- SHEET10 - DA830 JTAG/CLOCKS
- SHEET11 - DA830 POWER PINS
- SHEET12 - DA830 GROUND PINS
- SHEET13 - DA830 DECOUPLING CAPACITORS
- SHEET14 - BOOT MODE SWITCHES
- SHEET15 - EMIFB SDRAM
- SHEET16 - SPI ROM
- SHEET17 - USER SWITCHES/LEDS
- SHEET18 - RS232 INTERFACE
- SHEET19 - SD/MMC MUXING
- SHEET20 - SD/MMC/MMC Plus CARD INTERFACE
- SHEET21 - JTAG CONNECTOR INTERFACE
- SHEET22 - AIC3106 AUDIO CODEC
- SHEET23 - AIC3106 VOIP CONNECTORS
- SHEET24 - ETHERNET PHY/SWITCH
- SHEET25 - ETHERNET POWER
- SHEET26 - ETHER NET PORTS
- SHEET27 - EXPANSION CONNECTOR 1
- SHEET28 - EXPANSION CONNECTOR 2
- SHEET29 - EXPANSION CONNECTOR 3
- SHEET30 - POWER
- SHEET31 - POWER SUPPLIES
- SHEET32 - POWER IN

I2C ADDRESS MAP		
BASE	I2C ADDRESS TABLE	SHEET
0x50	I2C ROM	16
0x18	TLV320AIC3106 AUDIO CODEC	22
0x5F	KSZ8893MQL ETHERNET SWITCH	24
0x48	TPS65023 POWER MANAGEMENT IC	30

REVISION STATUS OF SHEETS

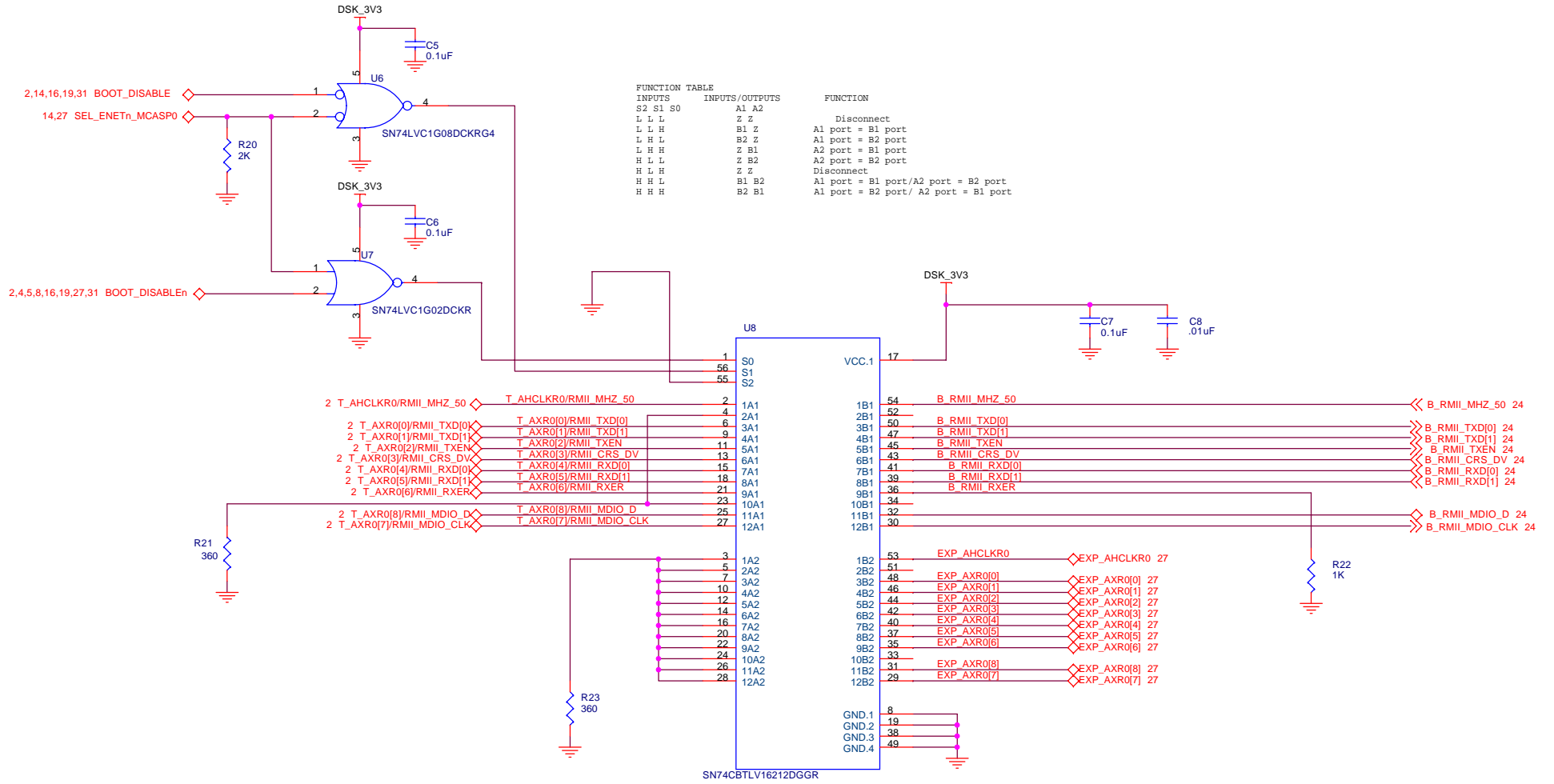
REV	A	A													DATE
SH	31	32													DWN R.R.P. 06/01/2009
REV	A	A	A	A	A	A	A	A	A	A					CHK T.W.K. 06/01/2009
SH	21	22	23	24	25	26	27	28	29	30					ENGR R.R.P. 12/01/2006
REV	A	A	A	A	A	A	A	A	A	A					ENGR-MGR R.R.P. 06/01/2008
SH	11	12	13	14	15	16	17	18	19	20					QA C.M.D. 06/01/2008
REV	F	B	B	B	B	A	A	A	A	A	NEXT ASSY	USED ON			MFG R.R.P. 06/01/2008
SH	1	2	3	4	5	6	7	8	9	10	APPLICATION				RLSE R.R.P. 06/01/2008

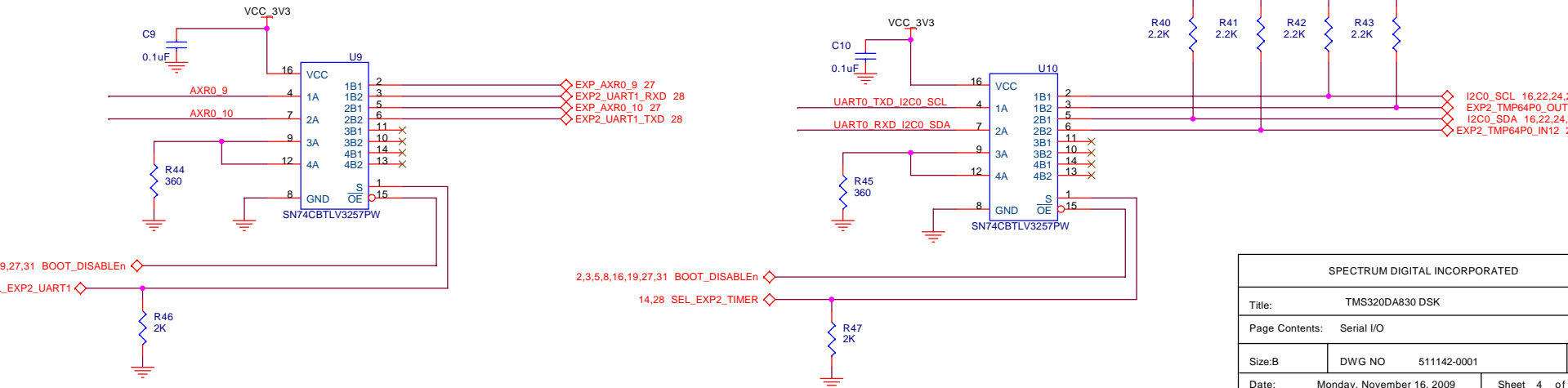
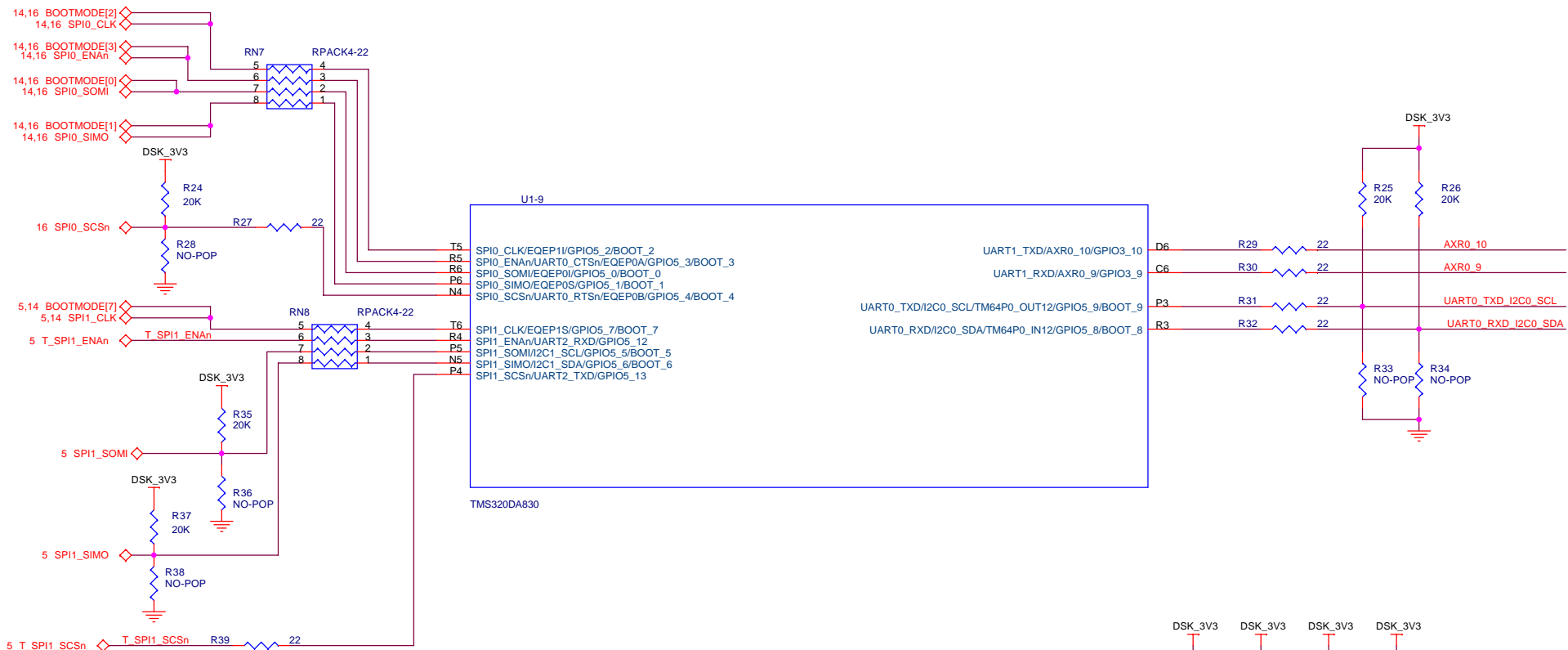
SPECTRUM DIGITAL INCORPORATED			
Title:	TMS320DA830 DSK		
Page Contents:	TITLE PAGE		
Size:B	DWG NO	511142-0001	Revision: F
Date:	Monday, November 16, 2009	Sheet 1 of	32



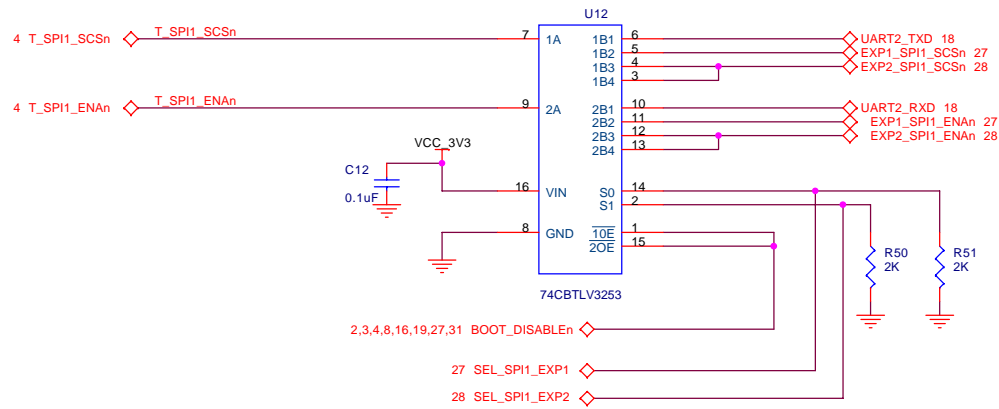
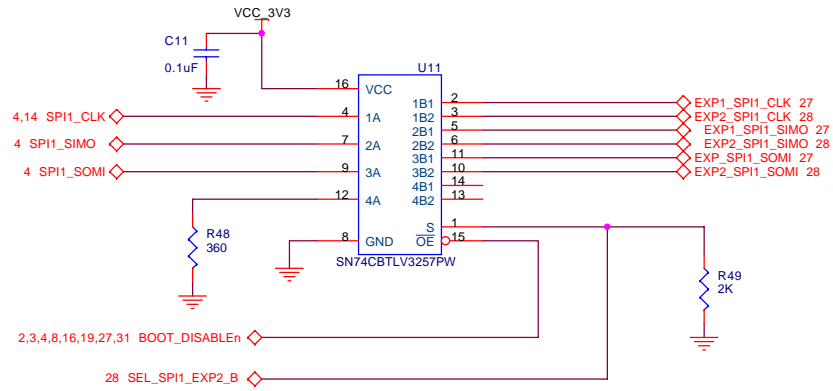
MCLK: AHCLKX1 (drive this clock into McASP)
 BCLK: ACLKX1 (McASP will drive this into the AIC)
 WCLK: AFSX1 (McASP will drive this into the AIC)
 DIN: AXR1[5] (McASP)
 DOUT: AXR1[0] (McASP)
 McASP generates the Tx bit and frame clocks.
 Configure McASP such that the Rx section operates off of the Tx section clocks.

SPECTRUM DIGITAL INCORPORATED			
Title: TMS320DA830 DSK			
Page Contents: McASP/Ethernet MAC			
Size: B	DWG NO: 511142-0001	Revision: A	
Date: Monday, November 16, 2009	Sheet 2 of 32		

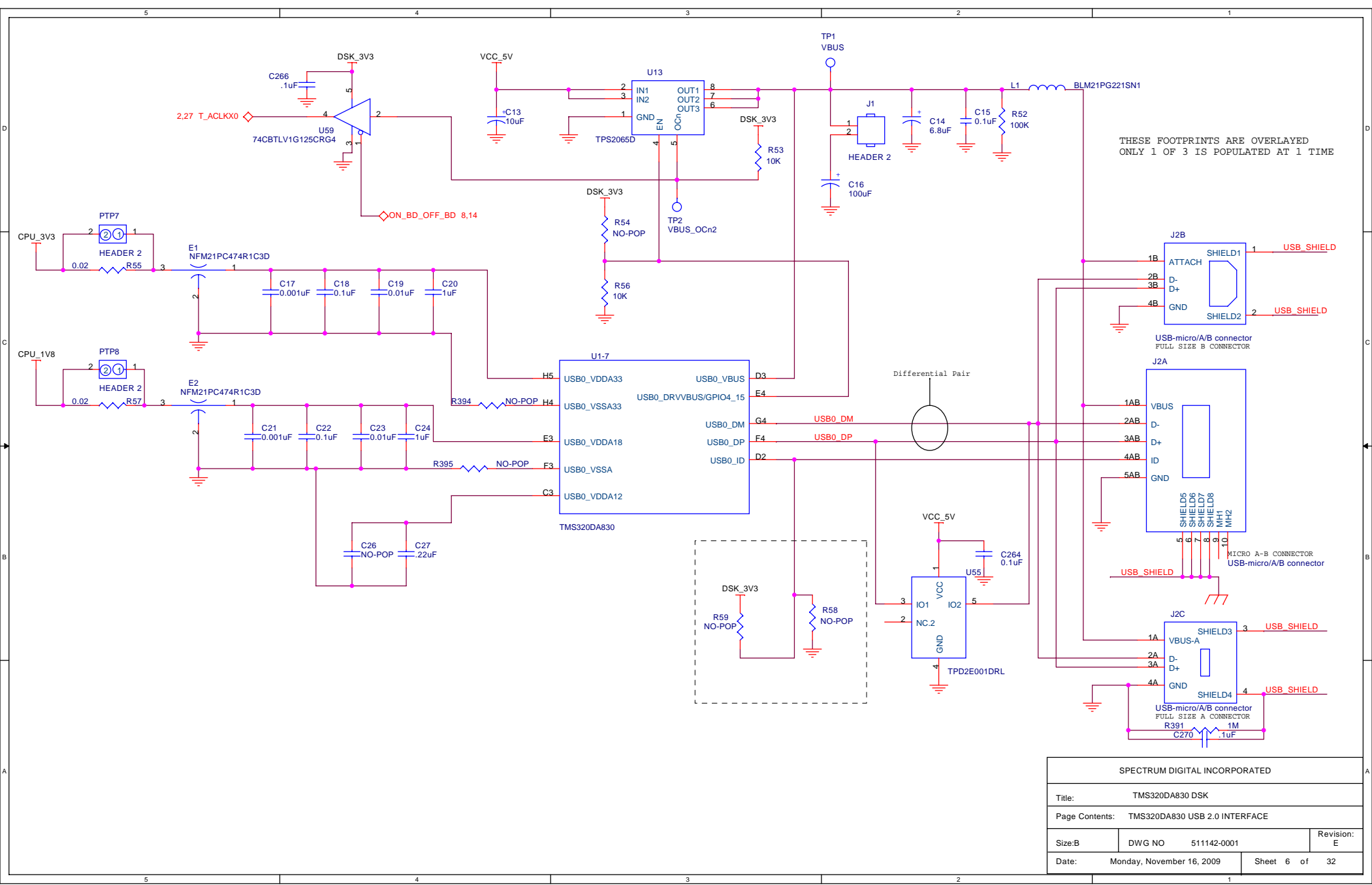




SPECTRUM DIGITAL INCORPORATED			
Title: TMS320DA830 DSK			
Page Contents: Serial I/O			
Size: B	DWG NO	511142-0001	Revision: A
Date:	Monday, November 16, 2009	Sheet 4 of	32

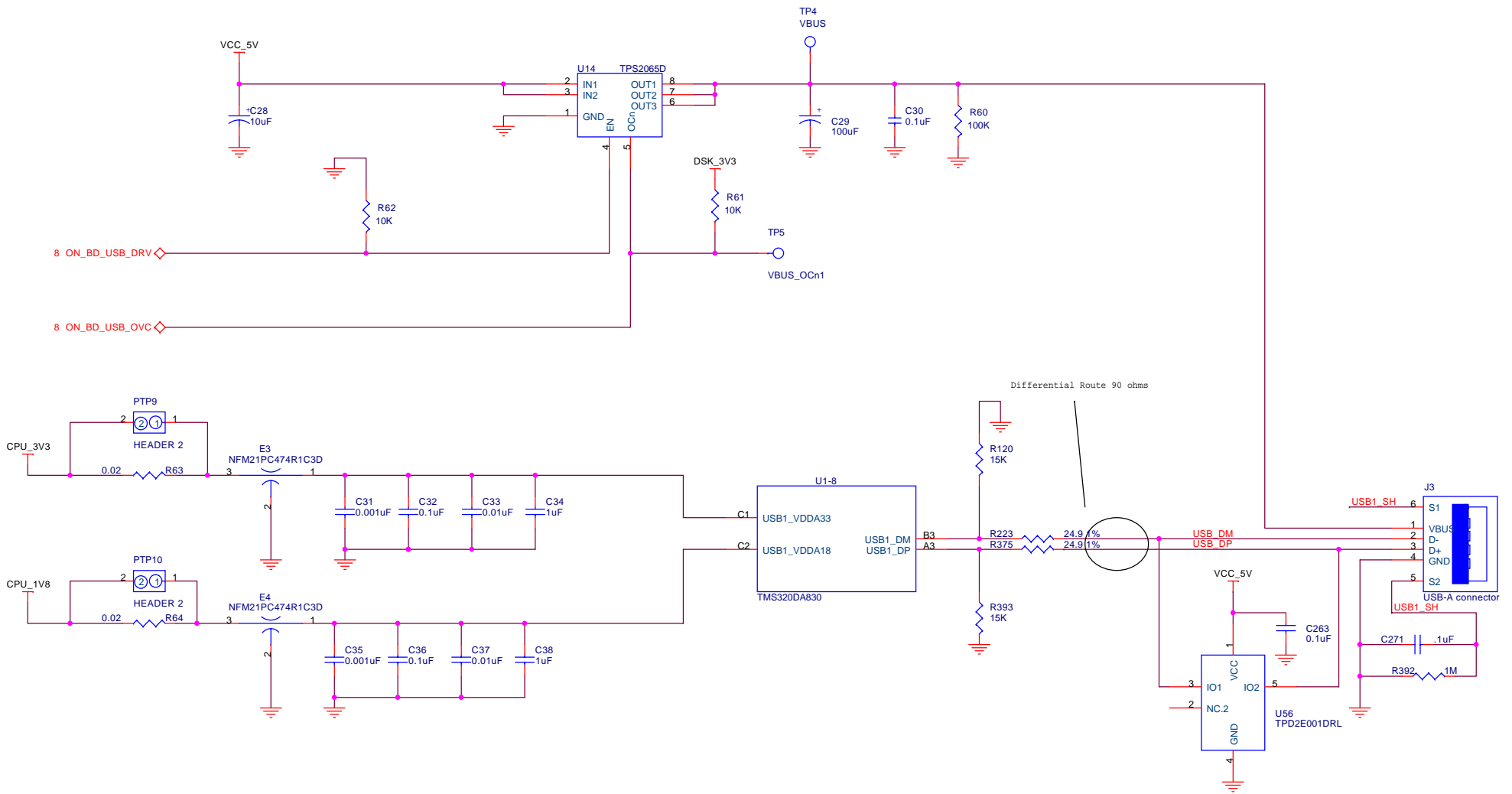


SPECTRUM DIGITAL INCORPORATED			
Title: TMS320DA830 DSK			
Page Contents: SPI MUXING			
Size: B	DWG NO	511142-0001	Revision: A
Date:	Monday, November 16, 2009	Sheet 5 of	32

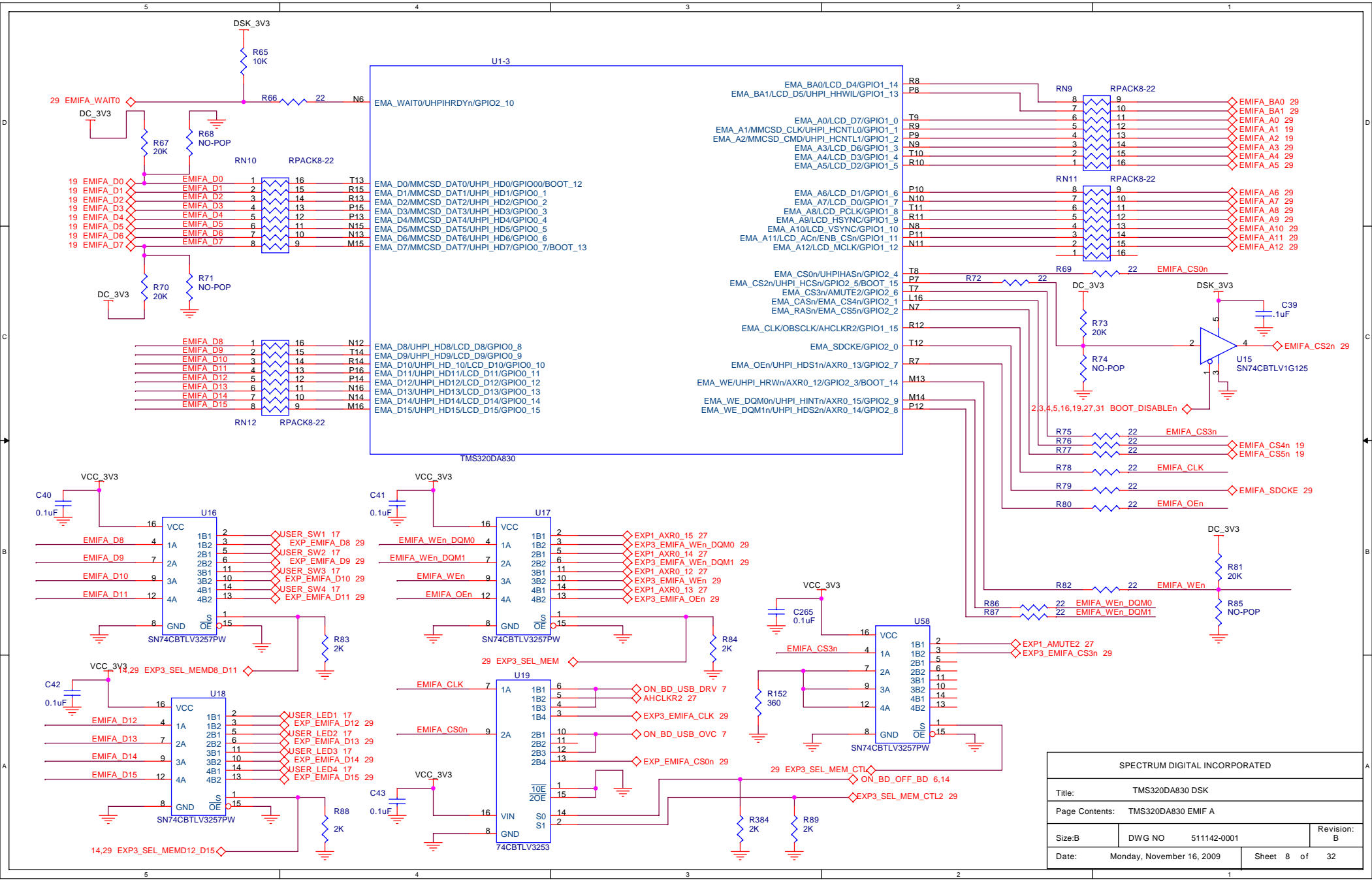


THESE FOOTPRINTS ARE OVERLAYED ONLY 1 OF 3 IS POPULATED AT 1 TIME

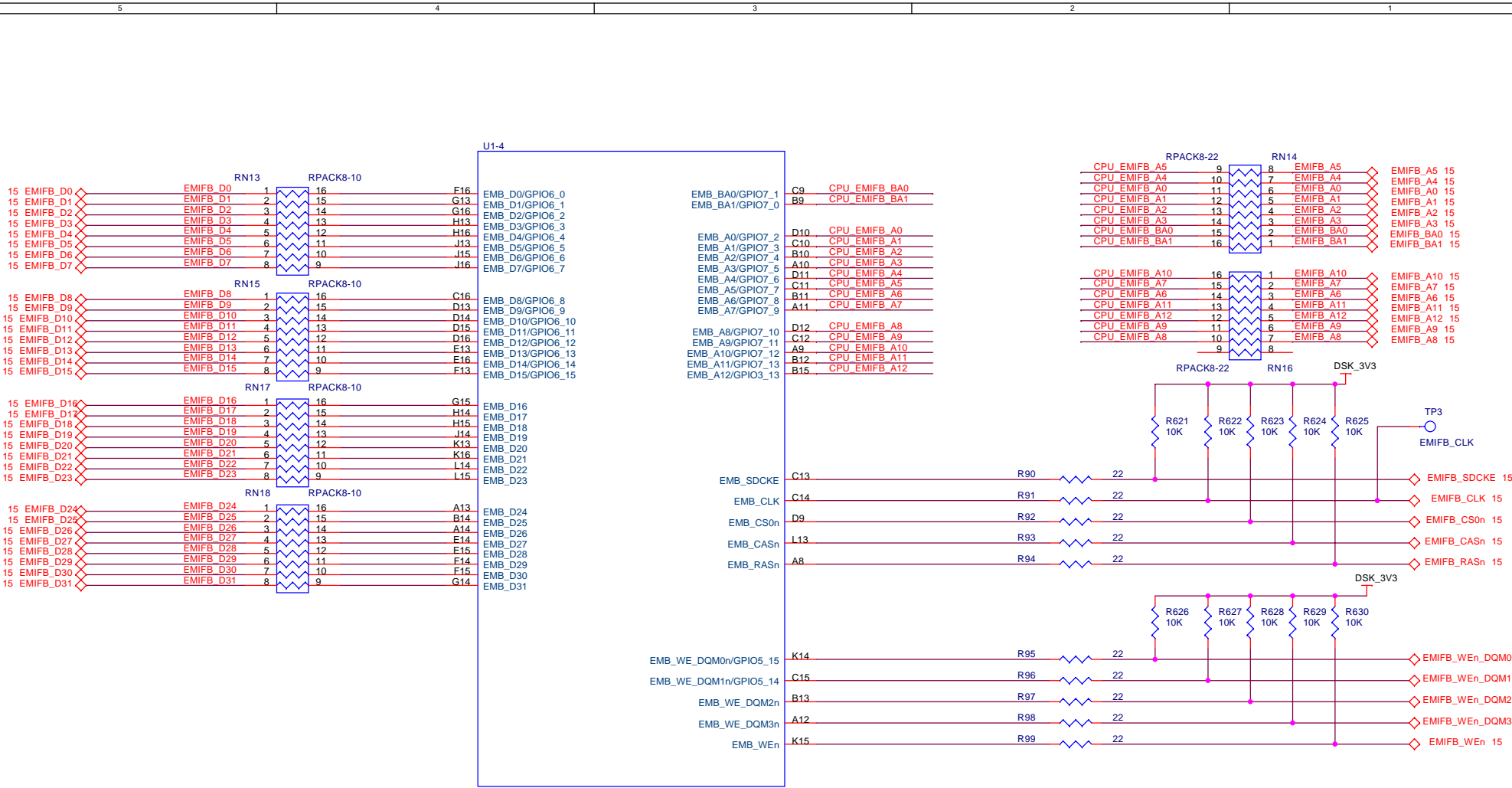
SPECTRUM DIGITAL INCORPORATED			
Title: TMS320DA830 DSK			
Page Contents: TMS320DA830 USB 2.0 INTERFACE			
Size: B	DWG NO	511142-0001	Revision: E
Date:	Monday, November 16, 2009	Sheet 6 of	32



SPECTRUM DIGITAL INCORPORATED			
Title: TMS320DA830 DSK			
Page Contents: USB 1.0 HOST INTERFACE			
Size: B	DWG NO	511142-0001	Revision: E
Date:	Monday, November 16, 2009	Sheet 7 of	32

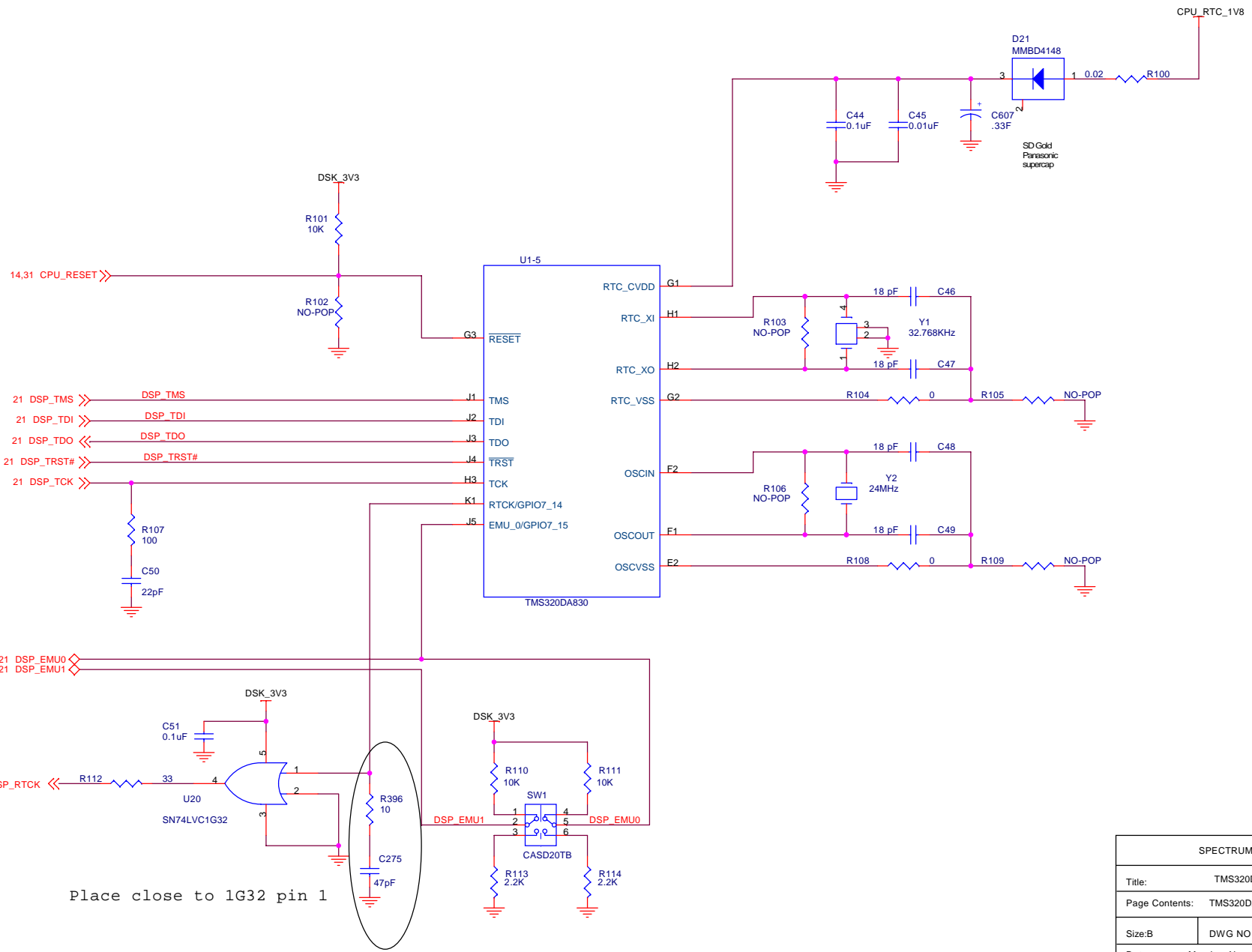


SPECTRUM DIGITAL INCORPORATED			
Title: TMS320DA830 DSK			
Page Contents: TMS320DA830 EMIF A			
Size: B	DWG NO: 511142-0001	Revision: B	
Date: Monday, November 16, 2009	Sheet 8 of 32		



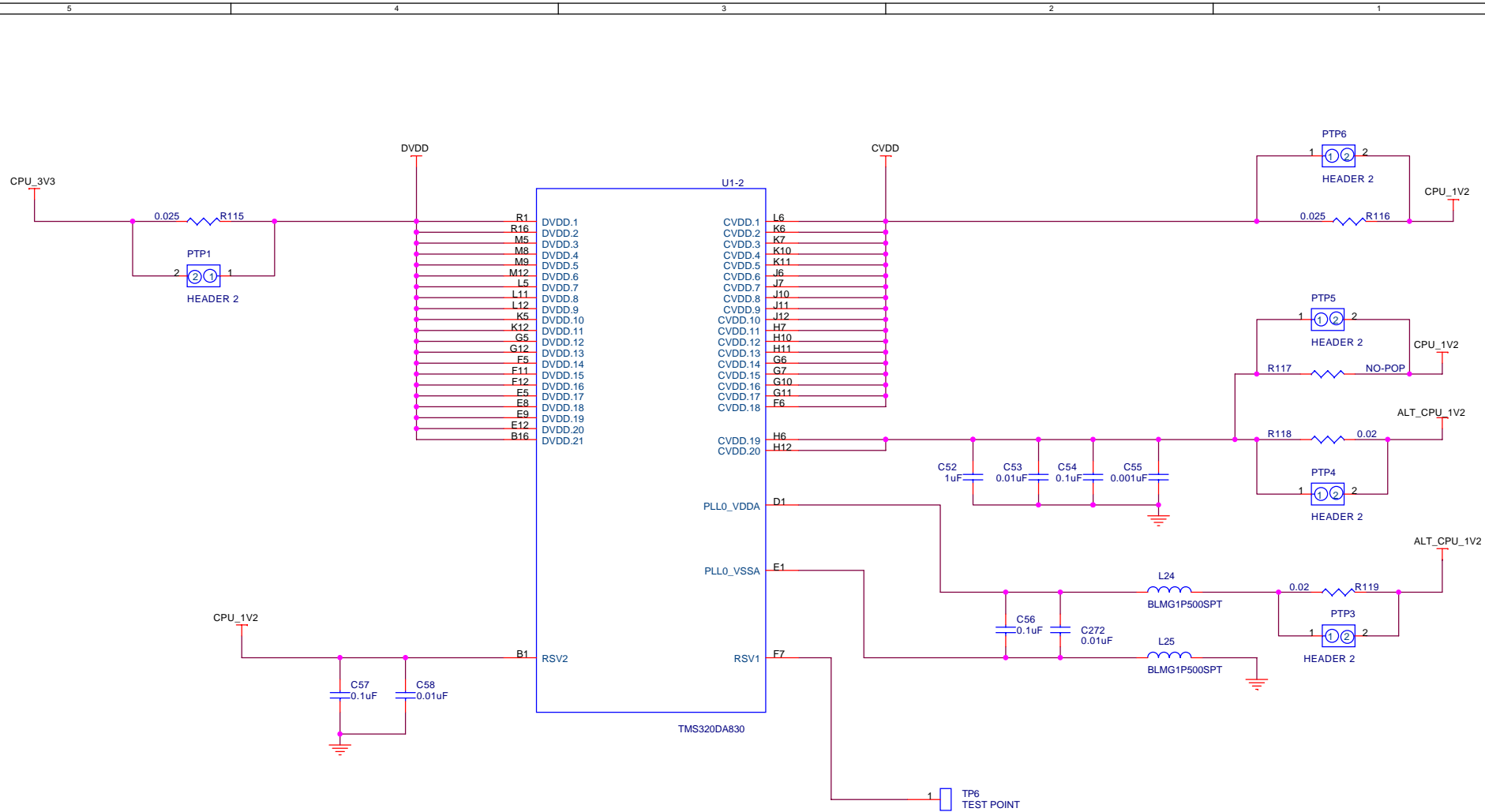
TMS320DA830

SPECTRUM DIGITAL INCORPORATED			
Title: TMS320DA830 DSK			
Page Contents: TMS320DA830 EMIF-B			
Size: B	DWG NO	511142-0001	Revision: A
Date:	Monday, November 16, 2009	Sheet 9 of	32

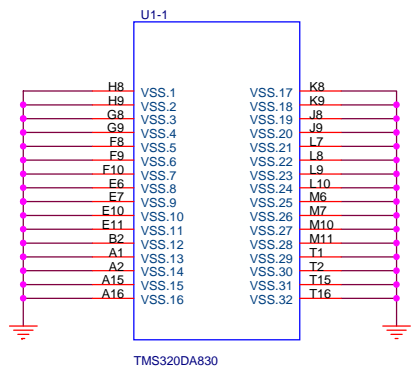


Place close to 1G32 pin 1

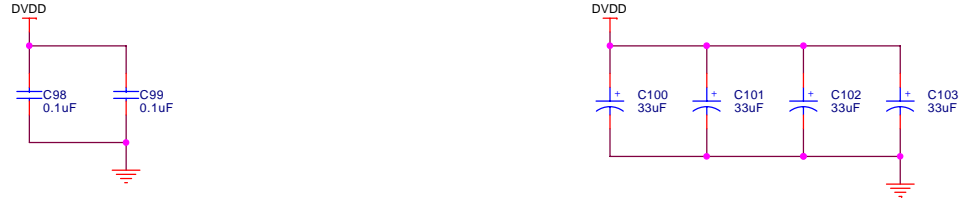
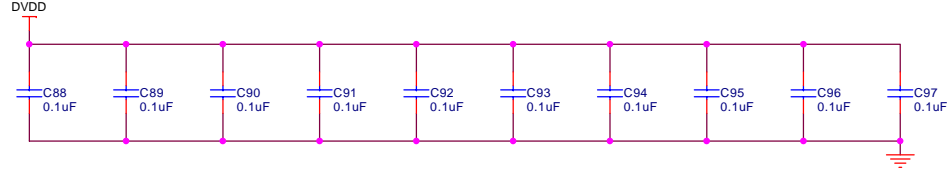
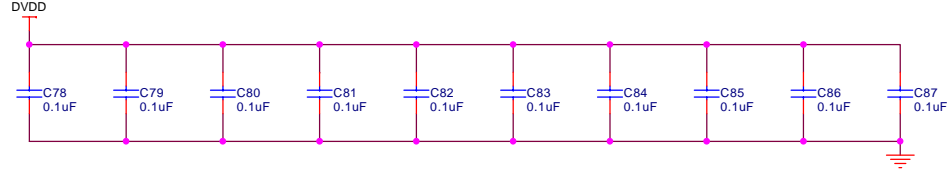
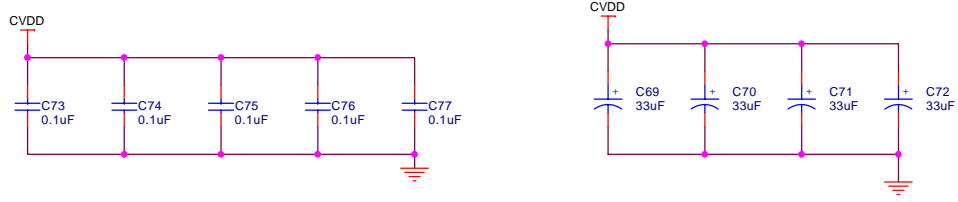
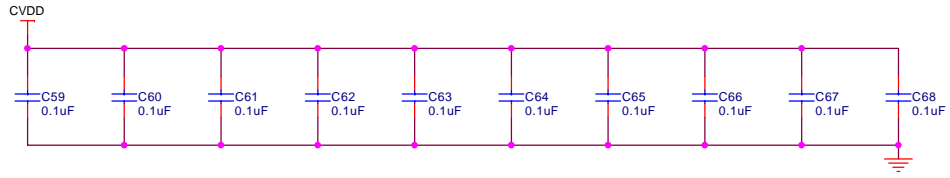
SPECTRUM DIGITAL INCORPORATED			
Title: TMS320DA830 DSK			
Page Contents: TMS320DA830 JTAG/CLOCKS			
Size: B	DWG NO	511142-0001	Revision: F
Date:	Monday, November 16, 2009	Sheet	10 of 32



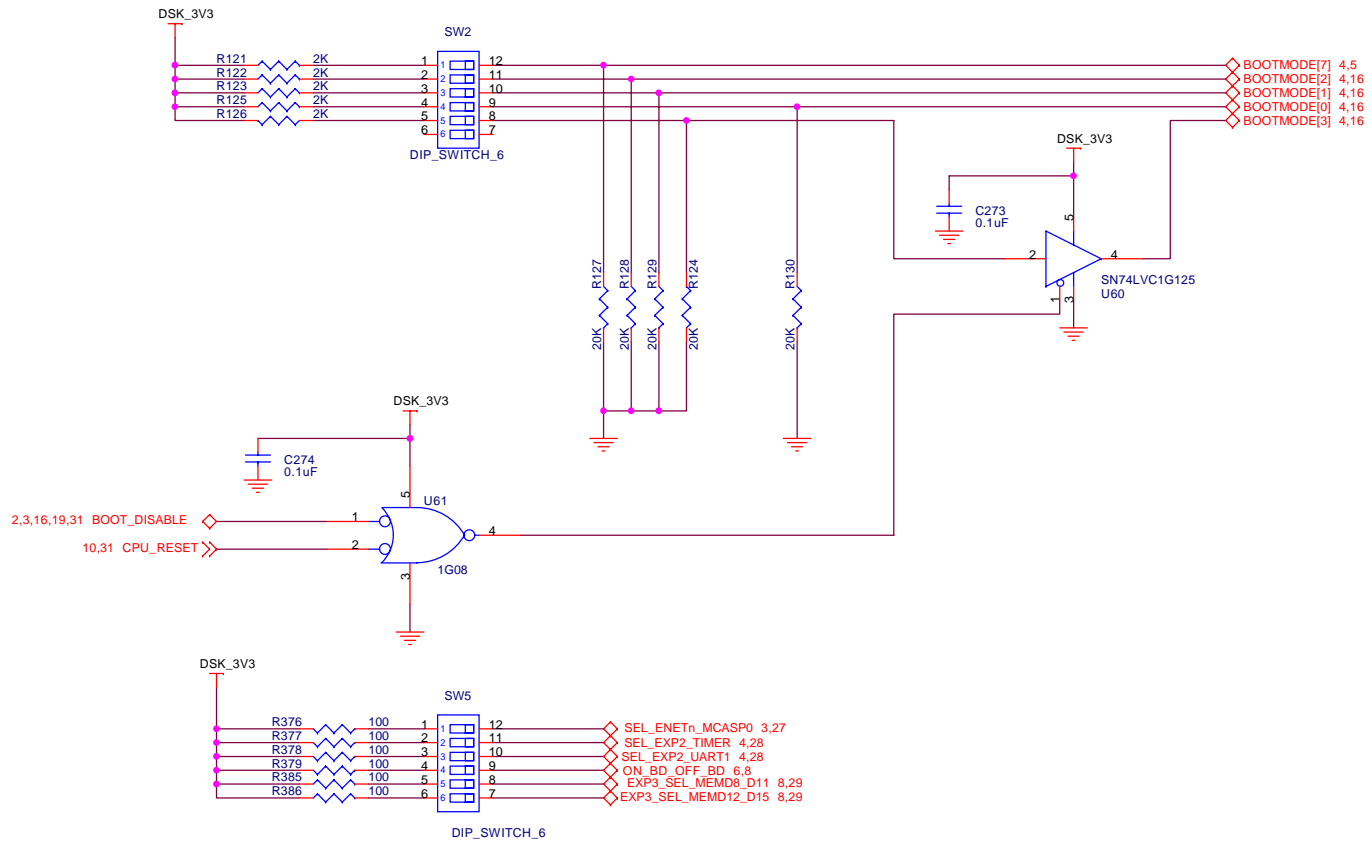
SPECTRUM DIGITAL INCORPORATED			
Title: TMS320DA830 DSK			
Page Contents: TMS320DA830 POWER PINS			
Size: B	DWG NO	511142-0001	Revision: C
Date:	Monday, November 16, 2009	Sheet	11 of 32



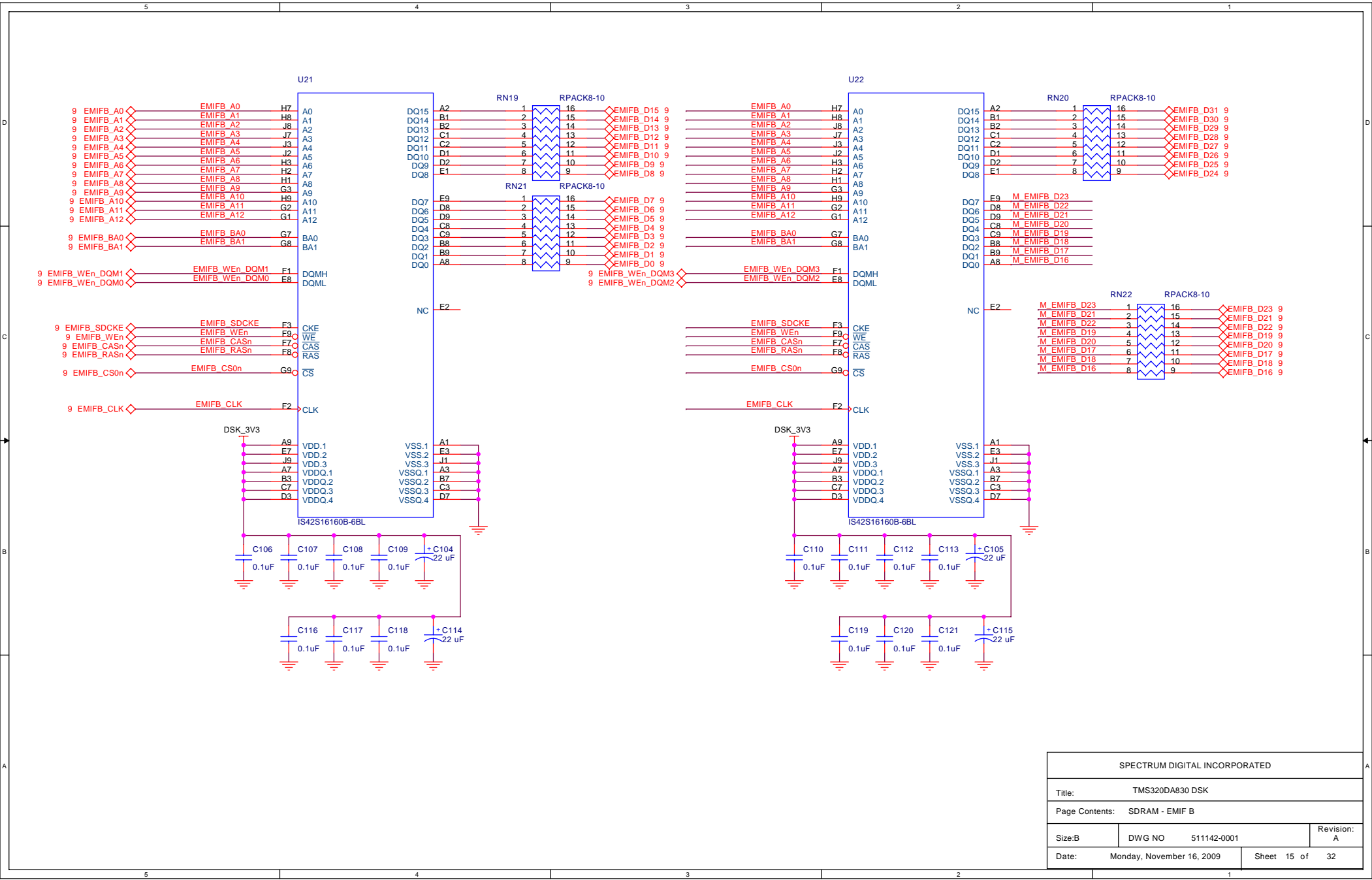
SPECTRUM DIGITAL INCORPORATED		
Title:	TMS320DA830 DSK	
Page Contents:	TMS320DA830 GROUND PINS	
Size:B	DWG NO 511142-0001	Revision: A
Date:	Monday, November 16, 2009	Sheet 12 of 32



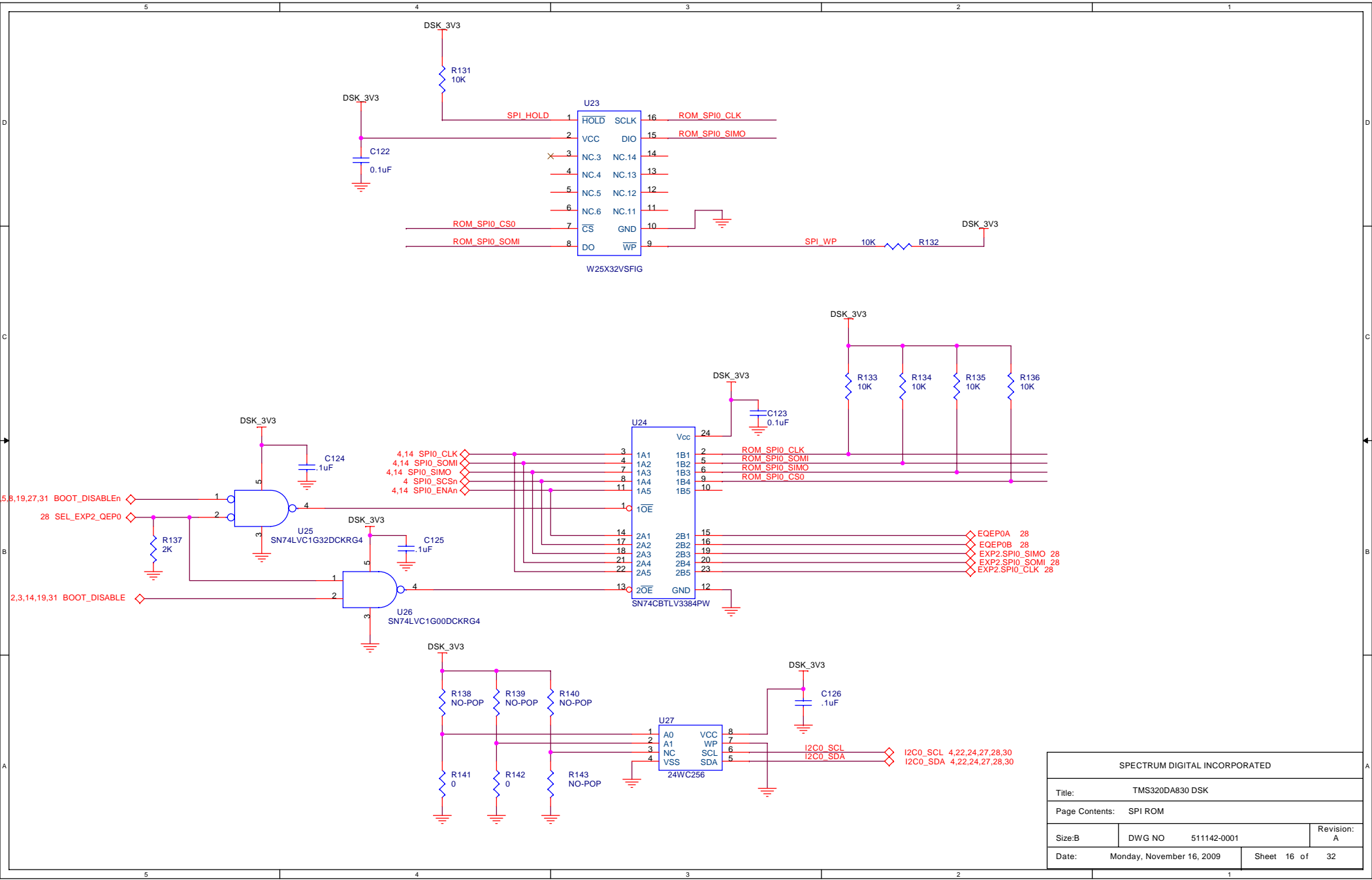
SPECTRUM DIGITAL INCORPORATED			
Title: TMS320DA830 DSK			
Page Contents: OMAP-L137 DECOUPLING CAPACITORS			
Size: B	DWG NO	511142-0001	Revision: A
Date:	Monday, November 16, 2009	Sheet 13 of	32



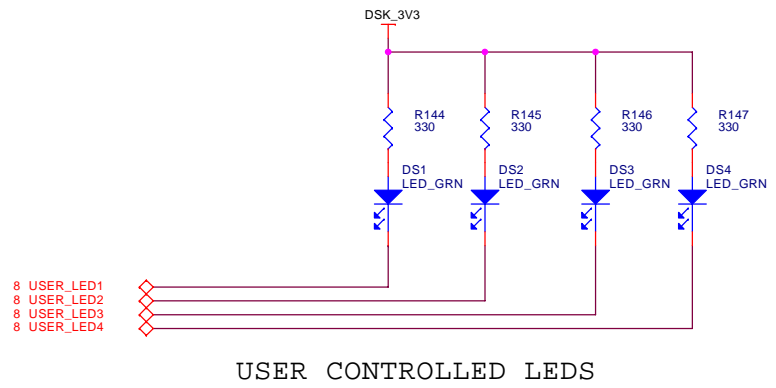
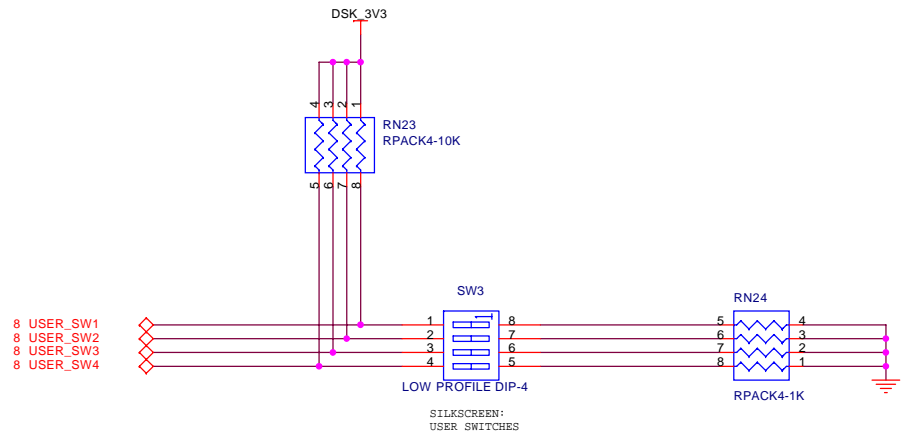
SPECTRUM DIGITAL INCORPORATED			
Title: TMS320DA830 DSK			
Page Contents: BOOT MODES			
Size: B	DWG NO	511142-0001	Revision: C
Date:	Monday, November 16, 2009	Sheet 14 of	32



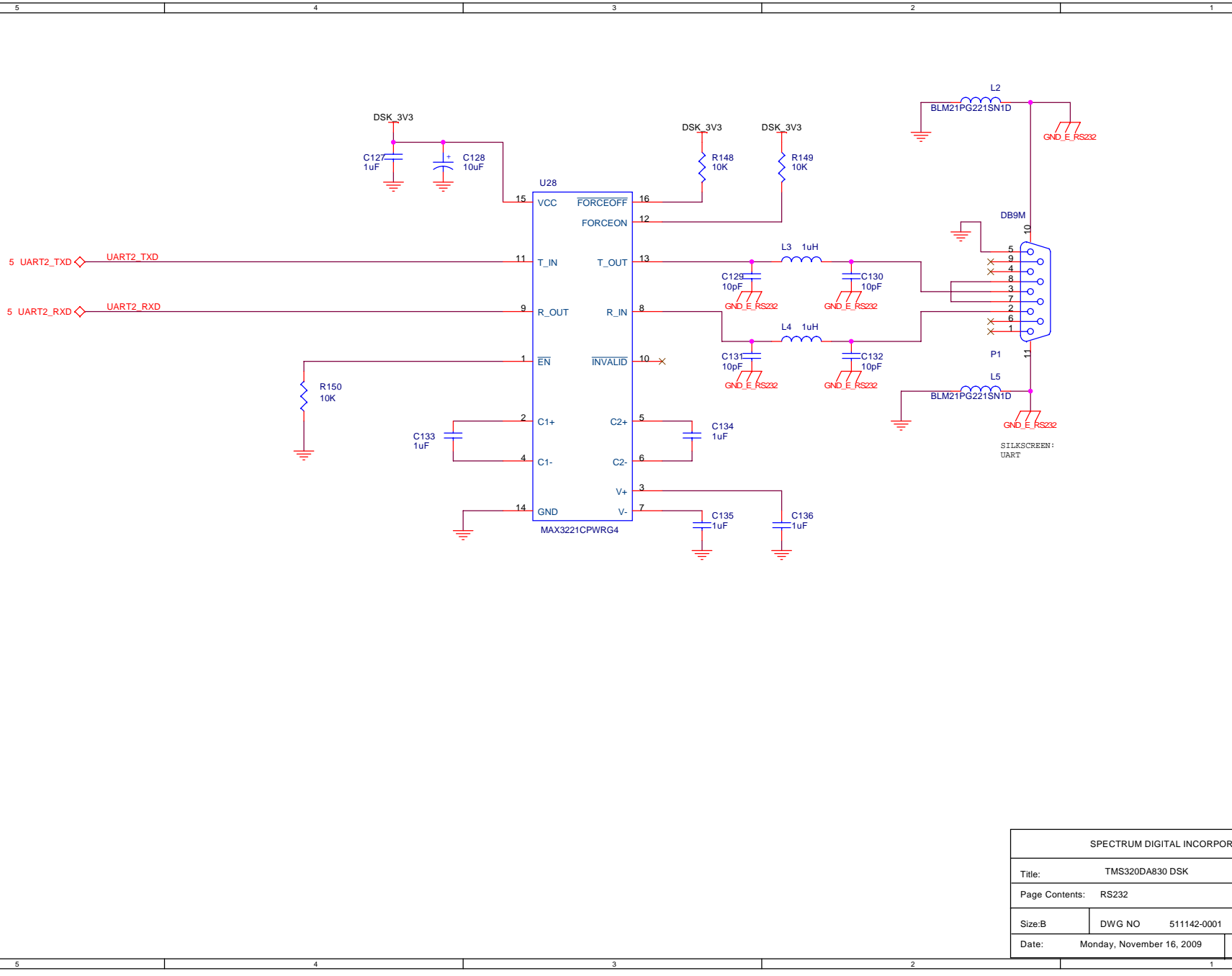
SPECTRUM DIGITAL INCORPORATED			
Title: TMS320DA830 DSK			
Page Contents: SDRAM - EMIF B			
Size: B	DWG NO	511142-0001	Revision: A
Date:	Monday, November 16, 2009	Sheet	15 of 32



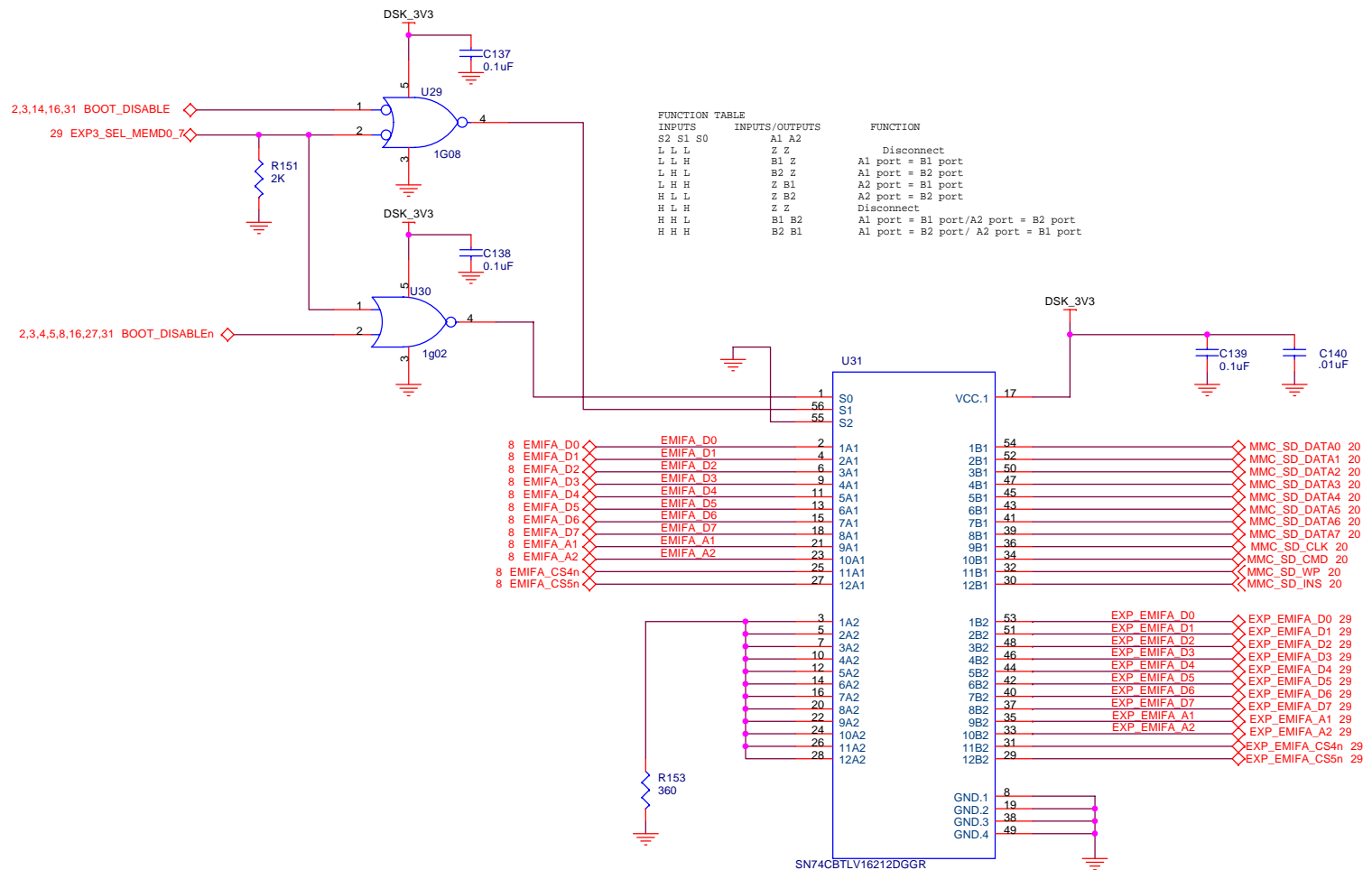
SPECTRUM DIGITAL INCORPORATED			
Title: TMS320DA830 DSK			
Page Contents: SPI ROM			
Size: B	DWG NO	511142-0001	Revision: A
Date:	Monday, November 16, 2009	Sheet 16 of	32



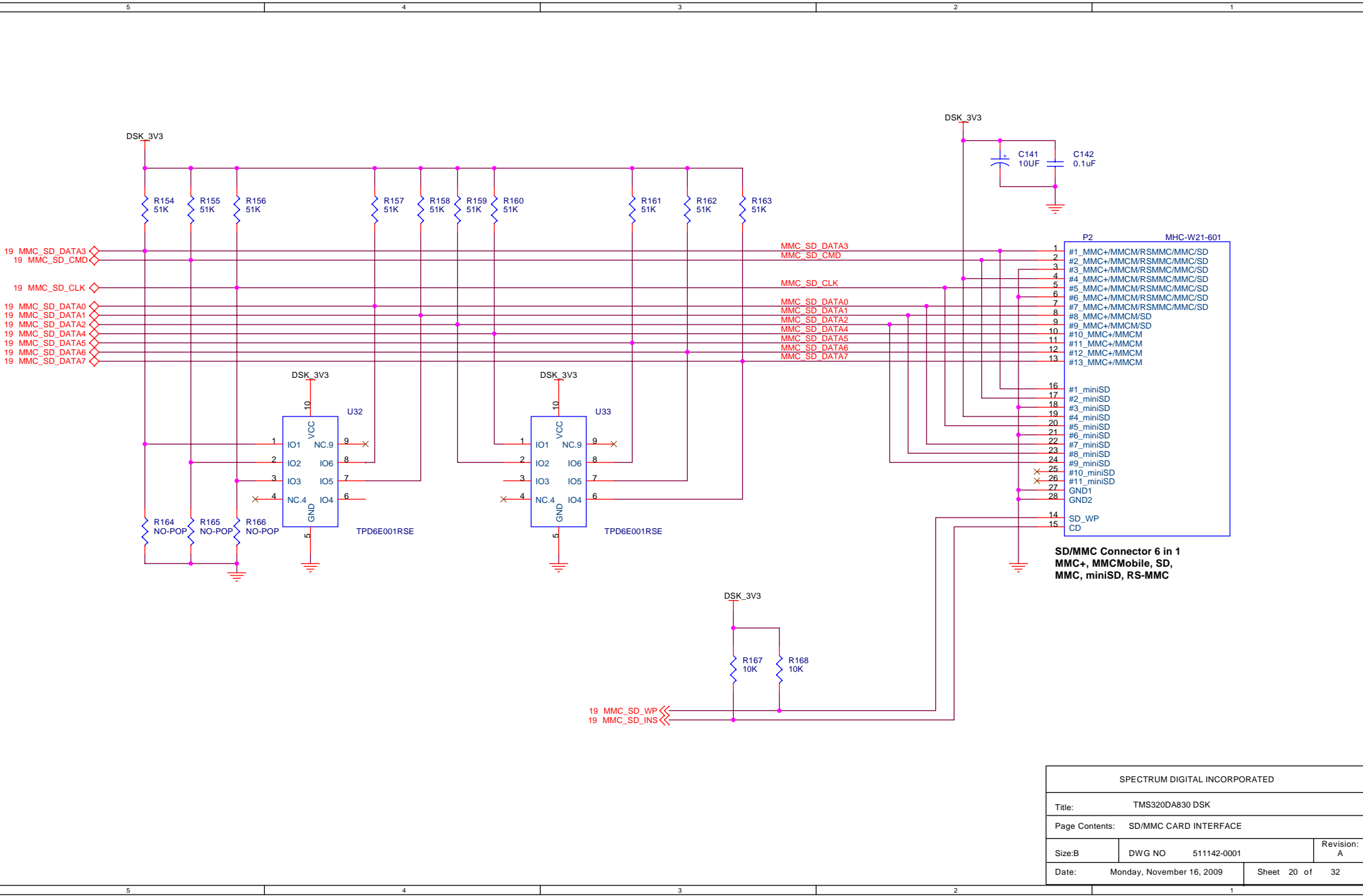
SPECTRUM DIGITAL INCORPORATED			
Title: TMS320DA830 DSK			
Page Contents: USER SWITCHES LEDS			
Size: B	DWG NO	511142-0001	Revision: A
Date:	Monday, November 16, 2009	Sheet 17 of	32



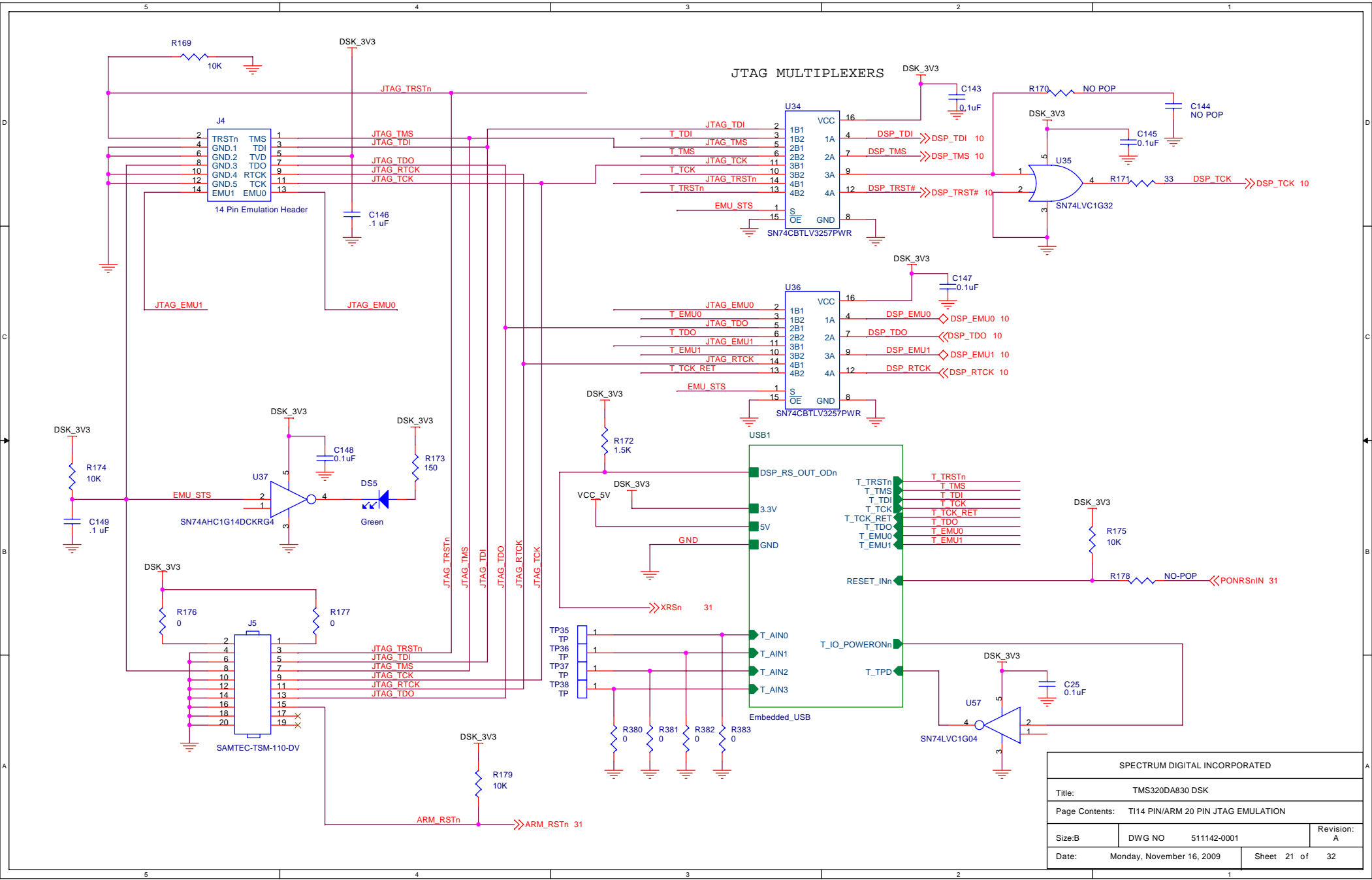
SPECTRUM DIGITAL INCORPORATED			
Title:		TMS320DA830 DSK	
Page Contents:		RS232	
Size: B	DWG NO	511142-0001	Revision: A
Date:	Monday, November 16, 2009	Sheet 18 of	32



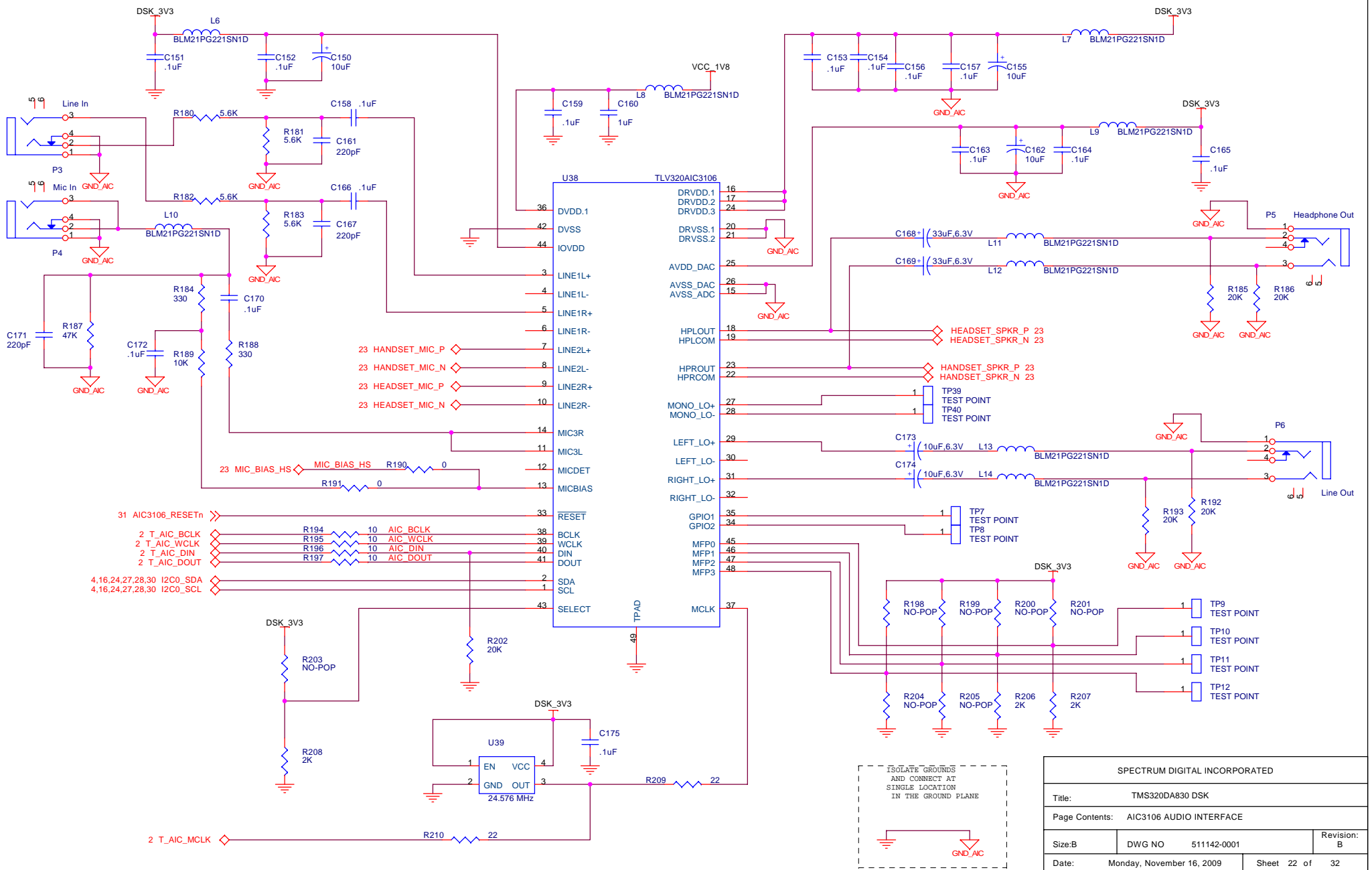
SPECTRUM DIGITAL INCORPORATED			
Title: TMS320DA830 DSK			
Page Contents: SD/MMC CARD MUXING			
Size: B	DWG NO	511142-0001	Revision: B
Date:	Monday, November 16, 2009	Sheet 19 of	32



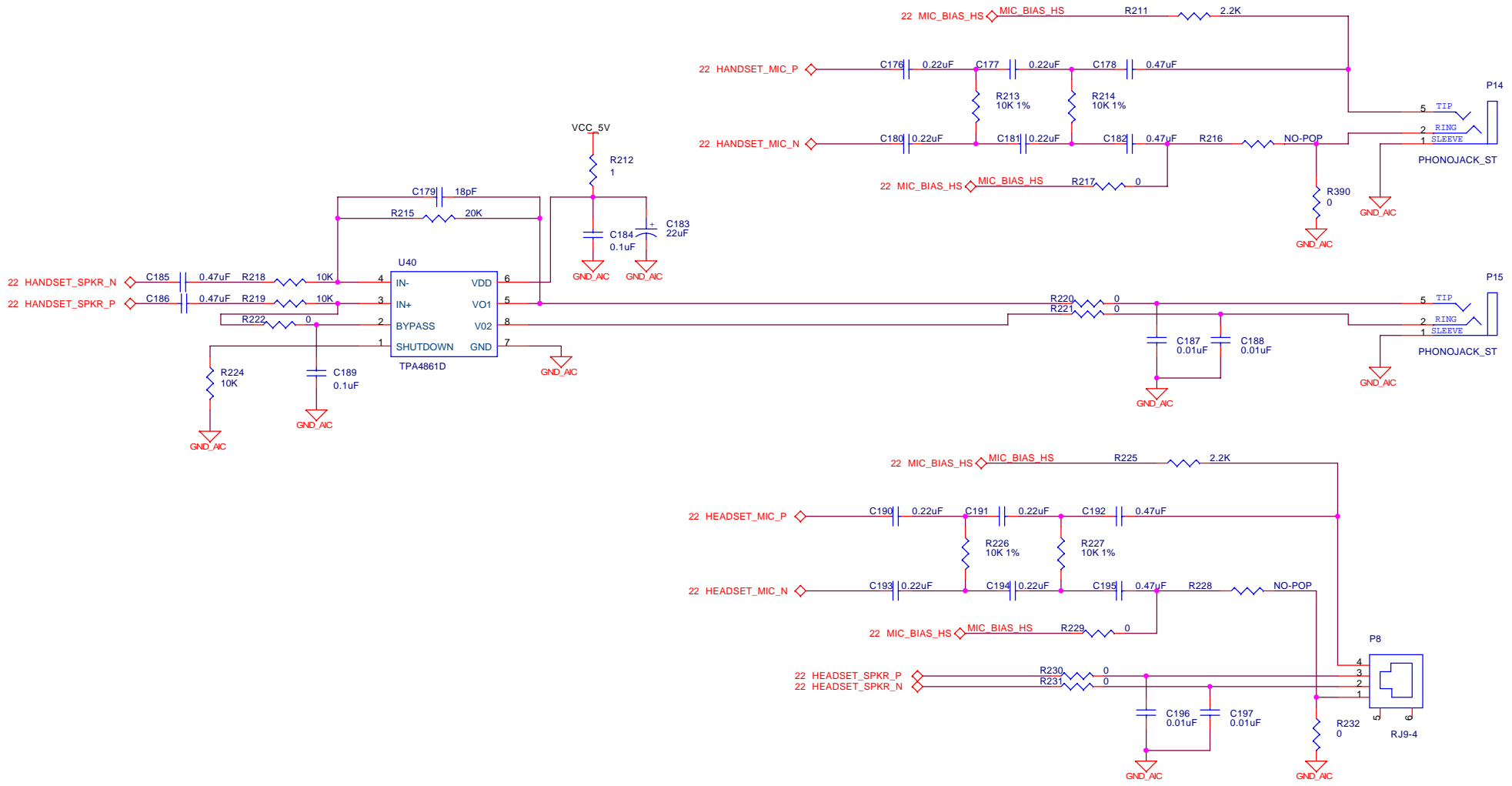
SPECTRUM DIGITAL INCORPORATED			
Title: TMS320DA830 DSK			
Page Contents: SD/MMC CARD INTERFACE			
Size: B	DWG NO	511142-0001	Revision: A
Date:	Monday, November 16, 2009	Sheet	20 of 32



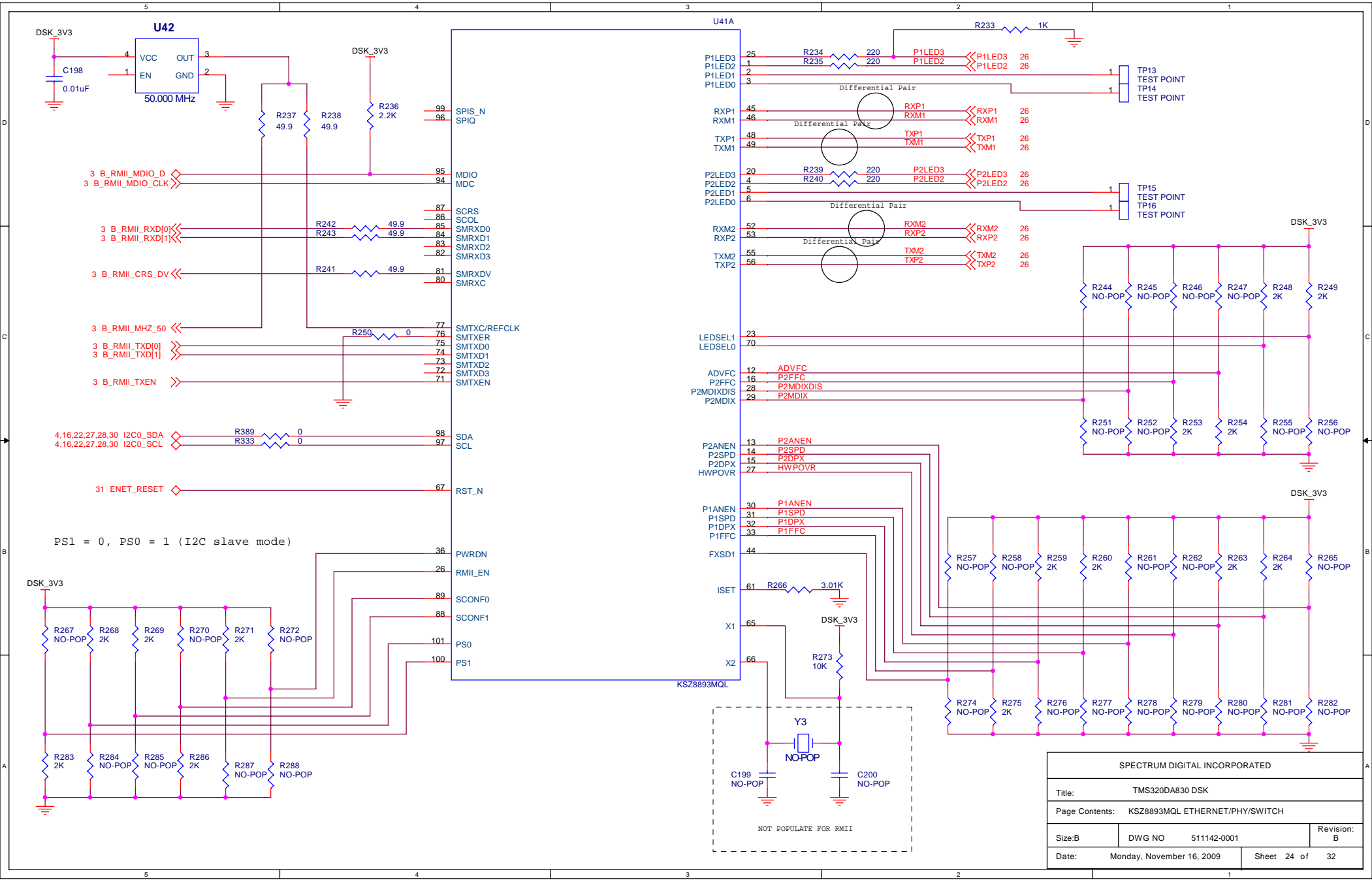
SPECTRUM DIGITAL INCORPORATED			
Title: TMS320DA830 DSK			
Page Contents: T114 PIN/ARM 20 PIN JTAG EMULATION			
Size: B	DWG NO: 511142-0001	Revision: A	
Date: Monday, November 16, 2009	Sheet 21 of 32		



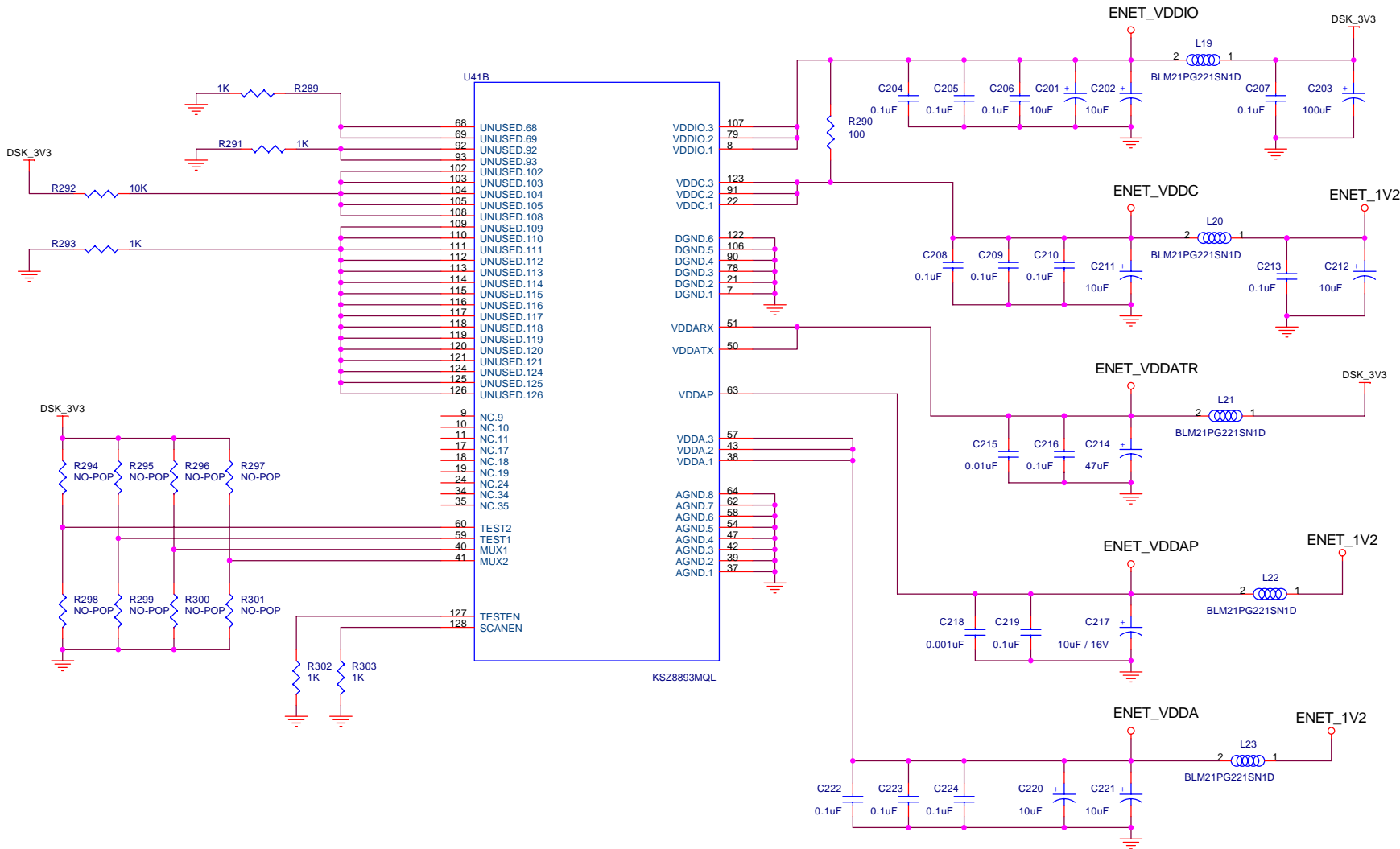
SPECTRUM DIGITAL INCORPORATED			
Title: TMS320DA830 DSK			
Page Contents: AIC3106 AUDIO INTERFACE			
Size: B	DWG NO	511142-0001	Revision: B
Date:	Monday, November 16, 2009	Sheet 22 of	32



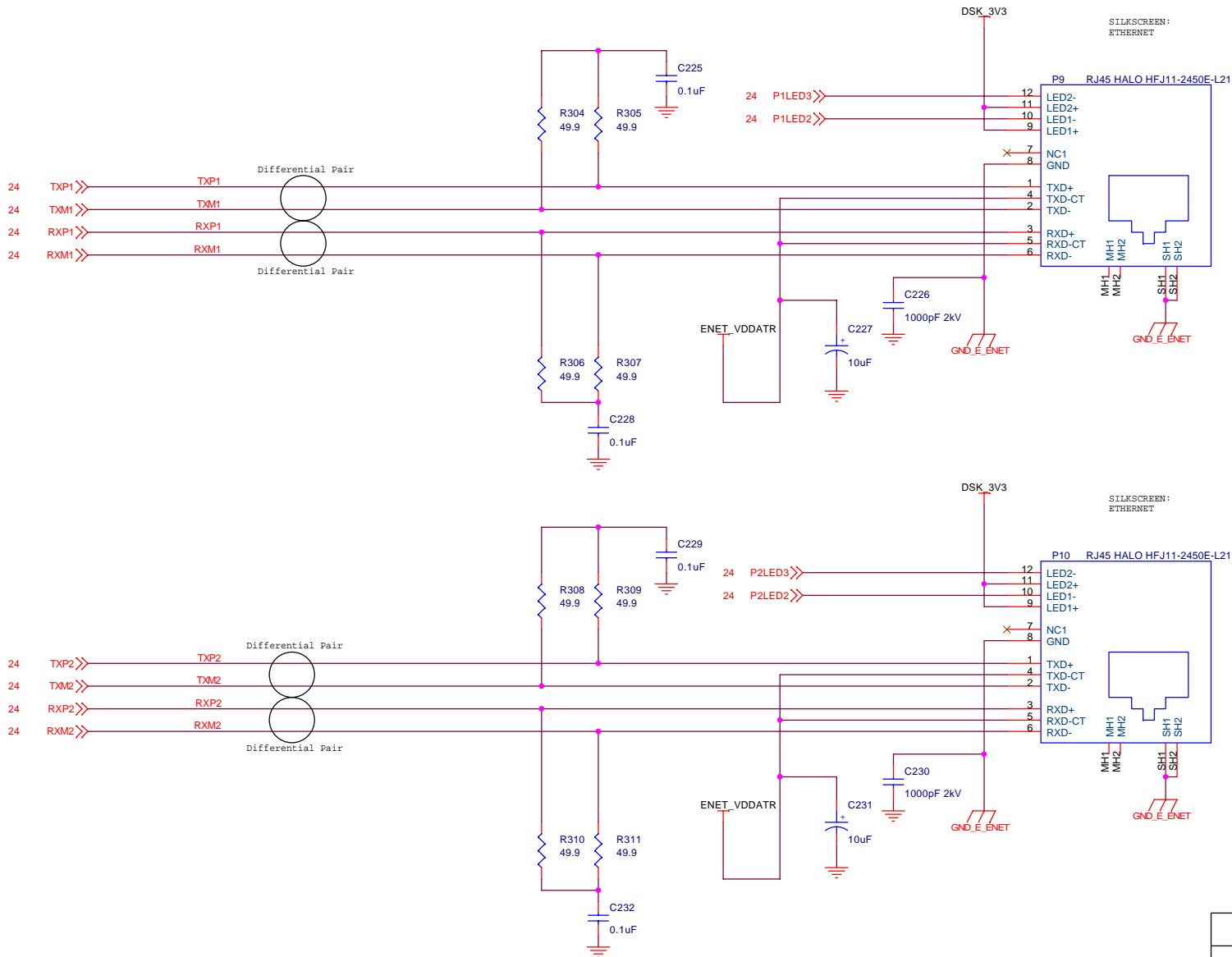
SPECTRUM DIGITAL INCORPORATED			
Title: TMS320DA830 DSK			
Page Contents: AIC3106 VOIP INTERFACE			
Size: B	DWG NO	511142-0001	Revision: A
Date:	Monday, November 16, 2009	Sheet	23 of 32



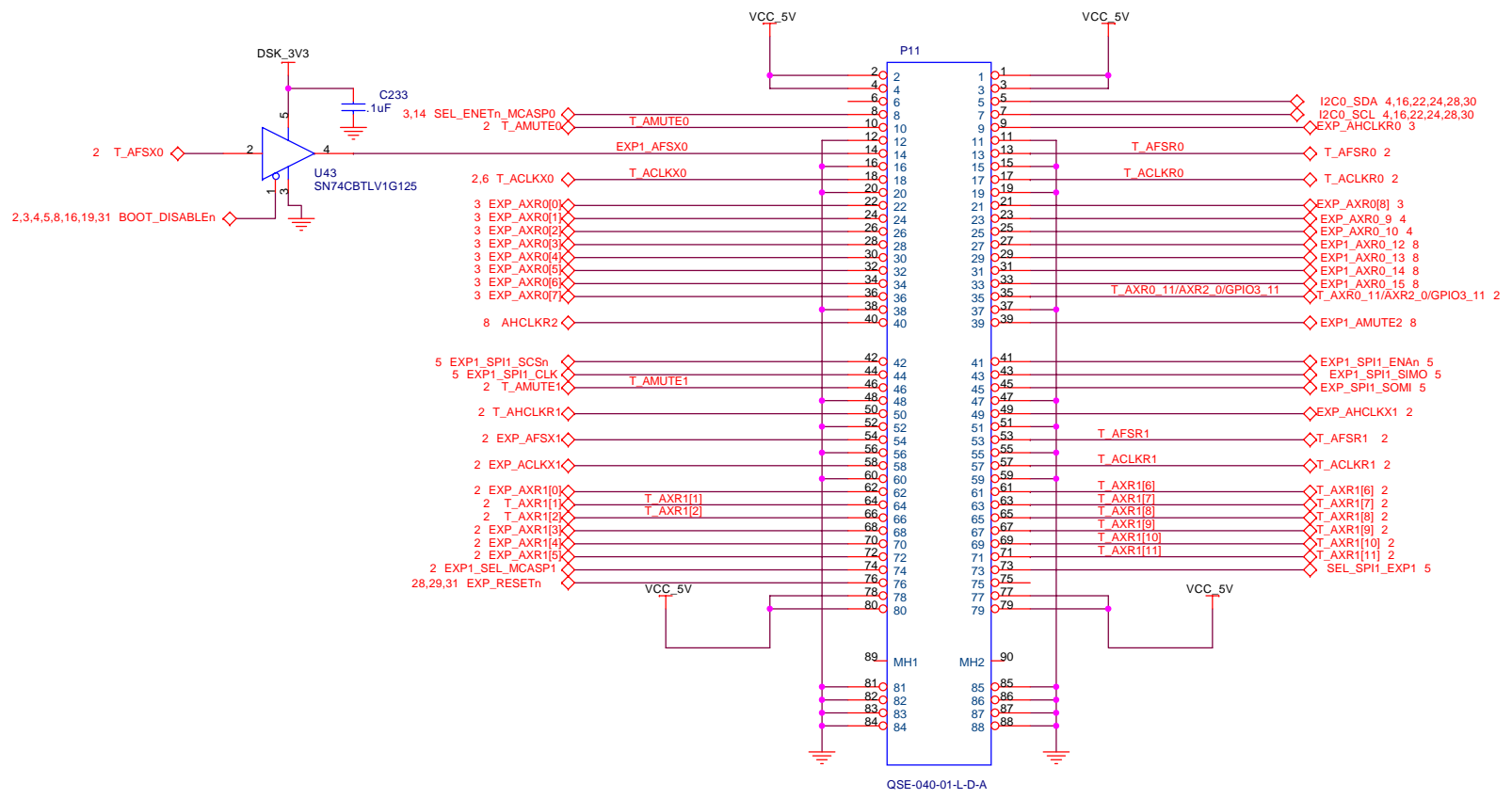
SPECTRUM DIGITAL INCORPORATED			
Title: TMS320DA830 DSK			
Page Contents: KSZ8893MQL ETHERNET/PHY/SWITCH			
Size: B	DWG NO	511142-0001	Revision: B
Date:	Monday, November 16, 2009	Sheet	24 of 32



SPECTRUM DIGITAL INCORPORATED			
Title: TMS320DA830 DSK			
Page Contents: KSZ8893MQL ETHERNET POWER			
Size: B	DWG NO	511142-0001	Revision: A
Date:	Monday, November 16, 2009	Sheet	25 of 32



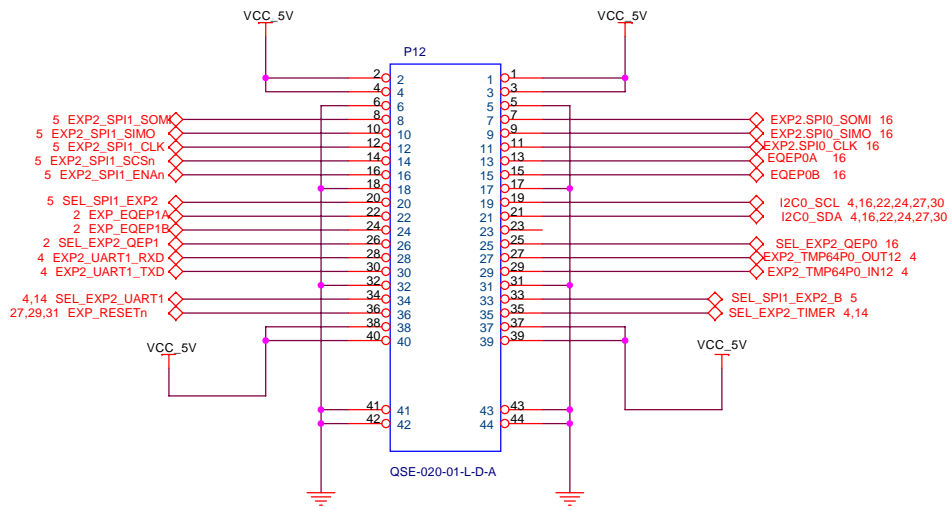
SPECTRUM DIGITAL INCORPORATED			
Title: TMS320DA830 DSK			
Page Contents: KSZ8893MQL ETHERNET PORTS			
Size: B	DWG NO	511142-0001	Revision: A
Date:	Monday, November 16, 2009	Sheet 26 of	32



Mounting holes 0.250 pad 0.125 drill

Z2 Z1

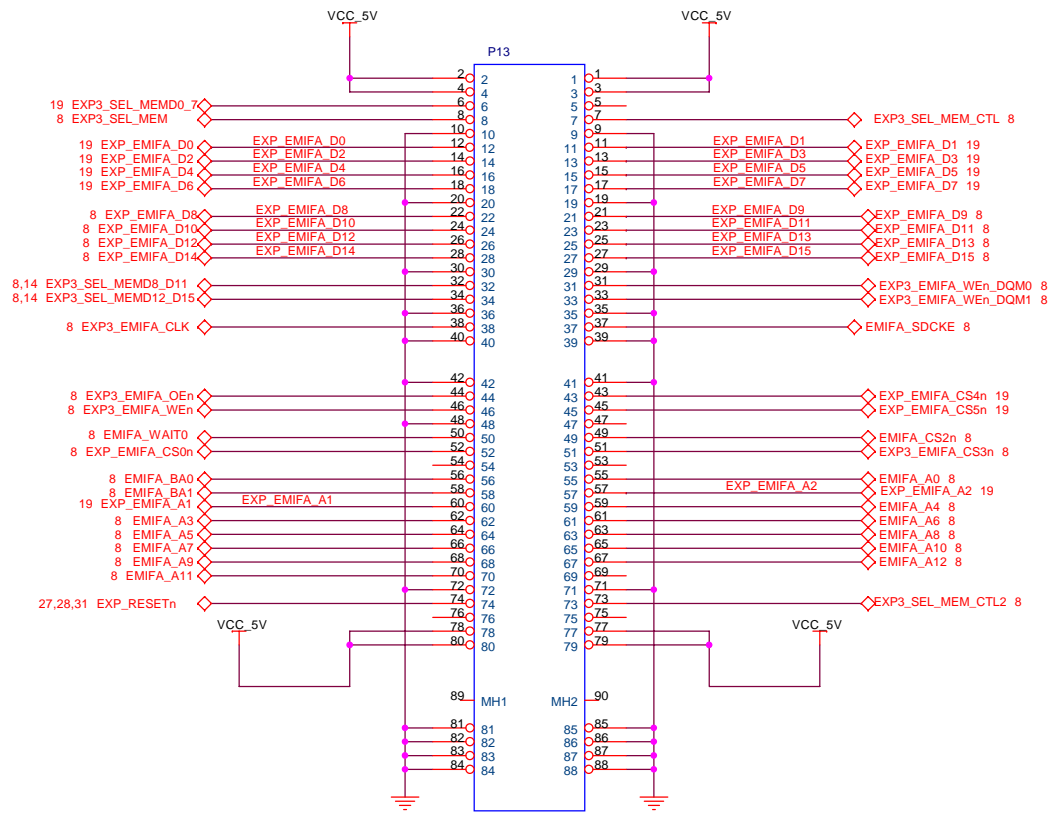
SPECTRUM DIGITAL INCORPORATED			
Title: TMS320DA830 DSK			
Page Contents: AUDIO / EXPANSION COINNECTOR 1			
Size: B	DWG NO	511142-0001	Revision: A
Date:	Monday, November 16, 2009	Sheet	27 of 32



Mounting holes 0.250 pad 0.125 drill

⊗ Z3 ⊗ Z4

SPECTRUM DIGITAL INCORPORATED			
Title: TMS320DA830 DSK			
Page Contents: EXPANSION 2			
Size: B	DWG NO	511142-0001	Revision: A
Date:	Monday, November 16, 2009	Sheet 28 of	32

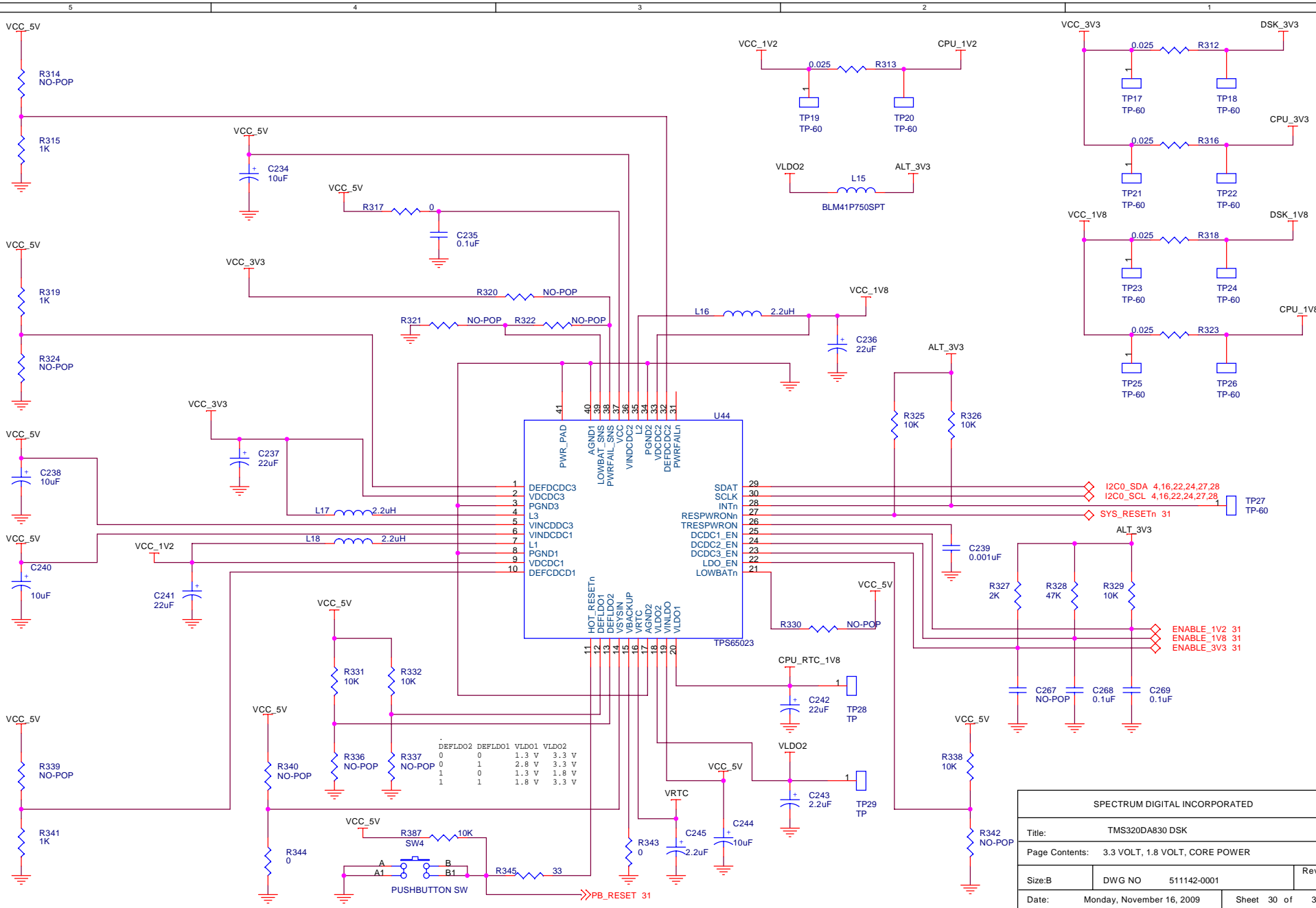


QSE-040-01-L-D-A

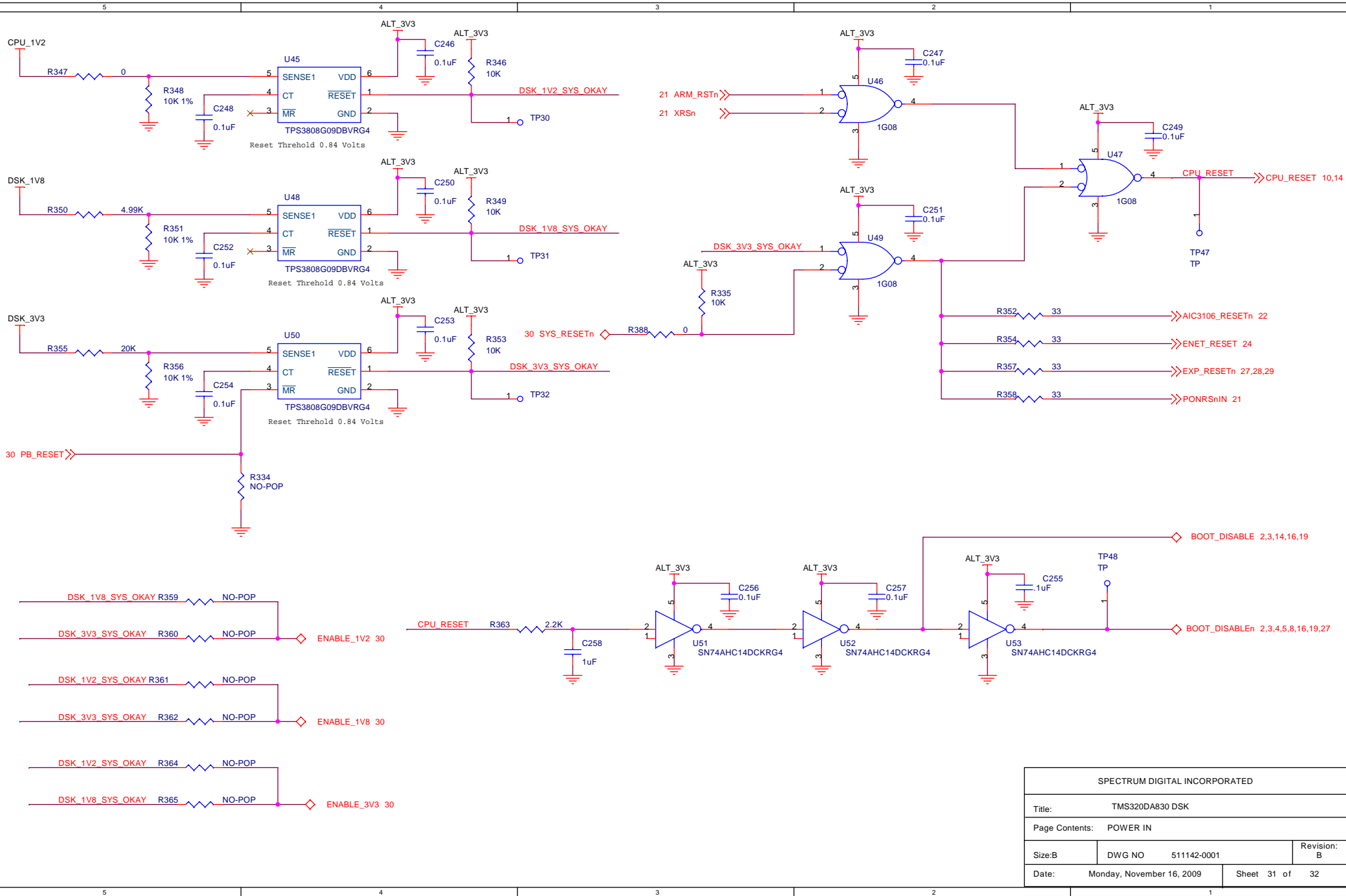
Mounting holes 0.250 pad 0.125 drill

✕ Z5

SPECTRUM DIGITAL INCORPORATED			
Title: TMS320DA830 DSK			
Page Contents: EXPANSION 3			
Size: B	DWG NO	511142-0001	Revision: B
Date:	Monday, November 16, 2009	Sheet 29 of	32

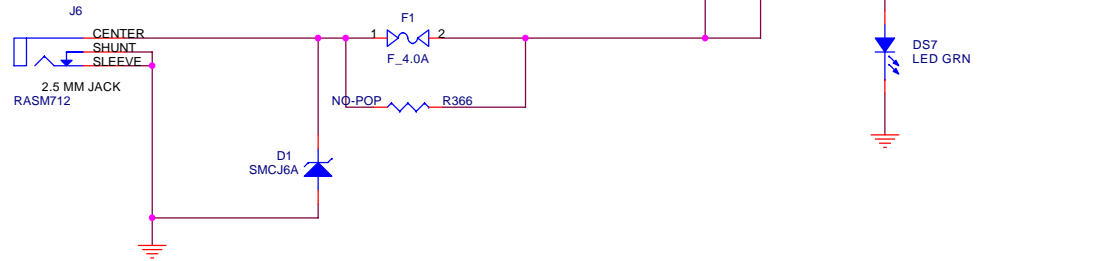


SPECTRUM DIGITAL INCORPORATED			
Title: TMS320DA830 DSK			
Page Contents: 3.3 VOLT, 1.8 VOLT, CORE POWER			
Size: B	DWG NO	511142-0001	Revision: B
Date:	Monday, November 16, 2009	Sheet	30 of 32



SPECTRUM DIGITAL INCORPORATED			
Title: TMS320DA830 DSK			
Page Contents: POWER IN			
Size: B	DWG NO	511142-0001	Revision: B
Date:	Monday, November 16, 2009	Sheet	31 of 32

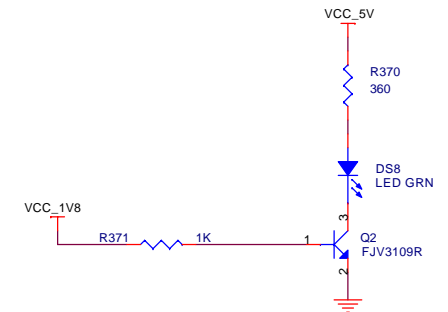
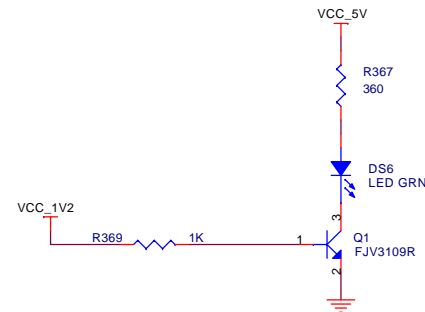
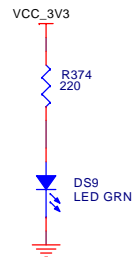
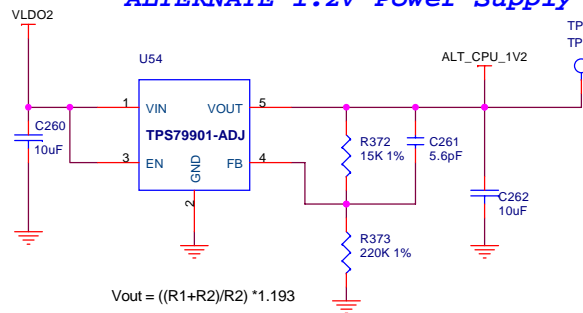
SILKSCREEN:
5V IN



Mounting holes 0.250 pad 0.125 drill



ALTERNATE 1.2V Power Supply



SPECTRUM DIGITAL INCORPORATED			
Title: TMS320DA830 DSK			
Page Contents: POWER IN			
Size: B	DWG NO: 511142-0001	Revision: B	
Date: Monday, November 16, 2009	Sheet 32 of 32		