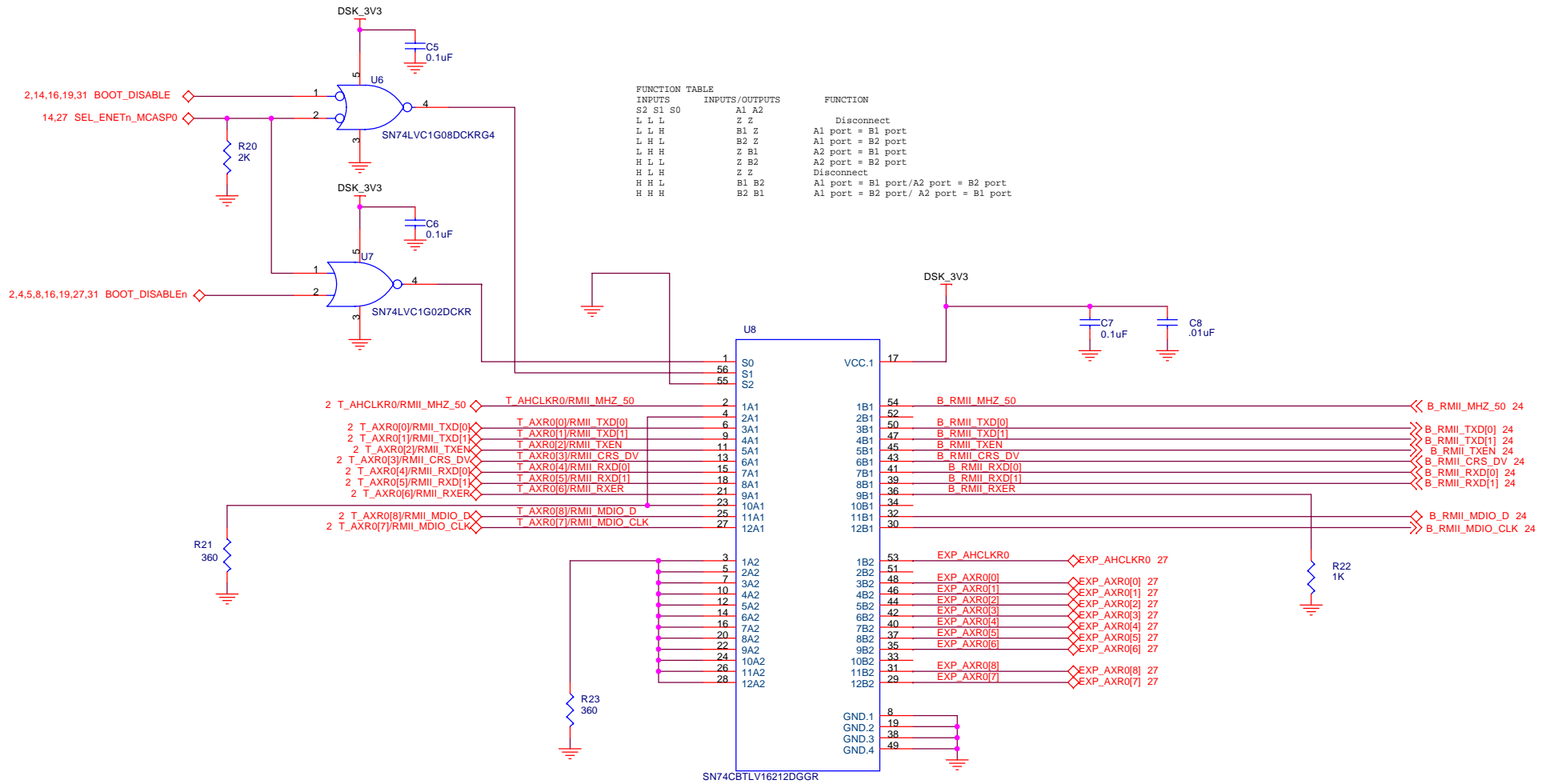
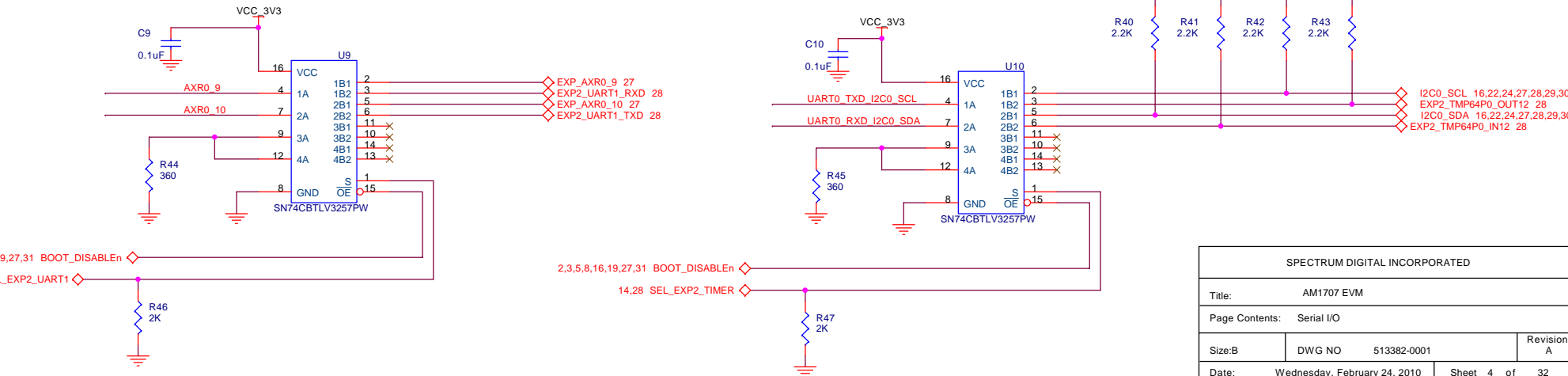
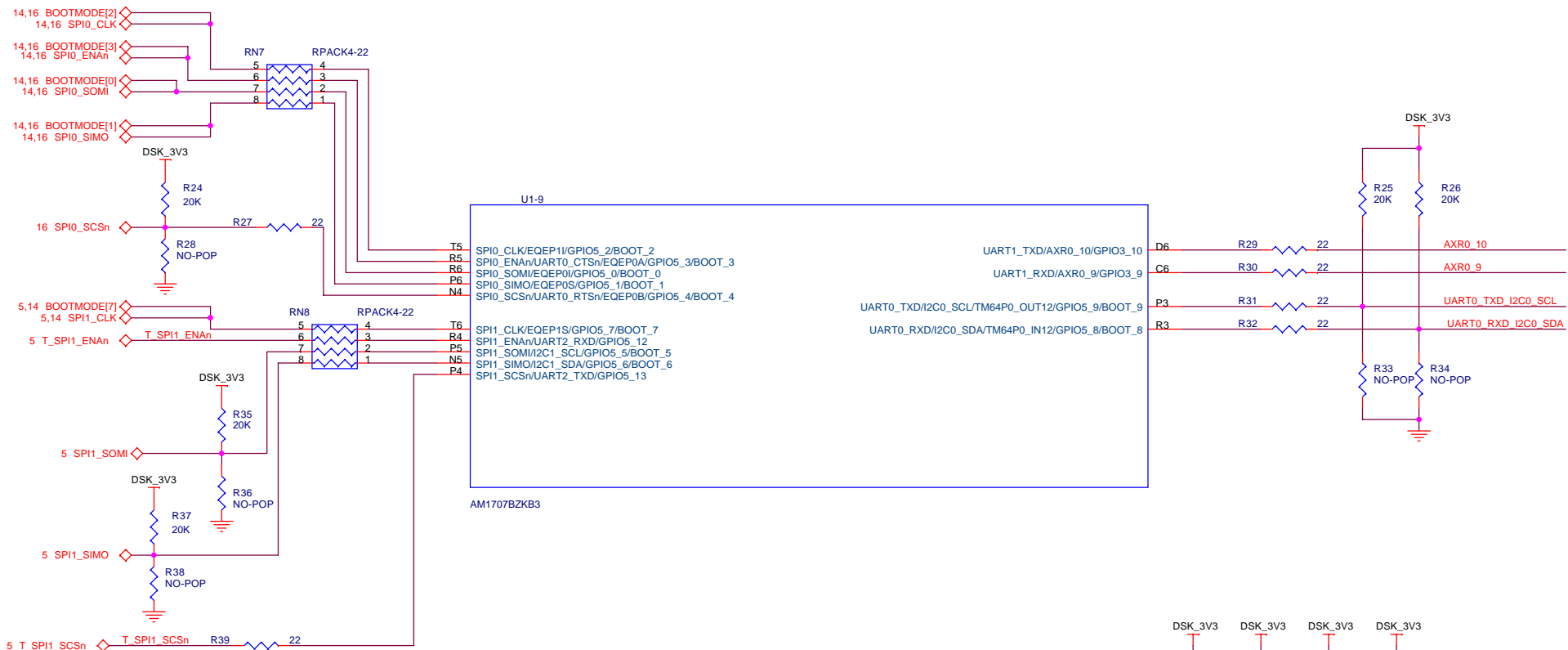


MCLK: AHCLKX1 (drive this clock into McASP)  
 BCLK: ACLKX1 (McASP will drive this into the AIC)  
 WCLK: AFSX1 (McASP will drive this into the AIC)  
 DIN: AXR1[5] (McASP)  
 DOUT: AXR1[0] (McASP)  
 McASP generates the Tx bit and frame clocks.  
 Configure McASP such that the Rx section operates off of the Tx section clocks.

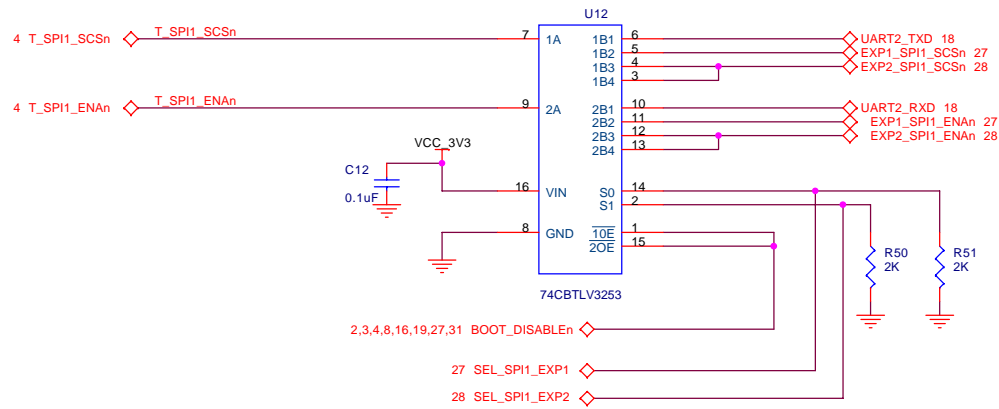
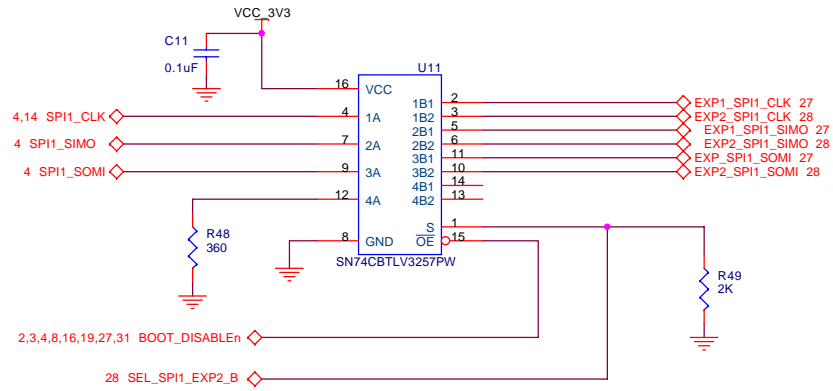
SPECTRUM DIGITAL INCORPORATED			
Title: AM1707 EVM			
Page Contents: McASP/Ethernet MAC			
Size: B	DWG NO	513382-0001	Revision: A
Date:	Wednesday, February 24, 2010	Sheet 2 of 32	



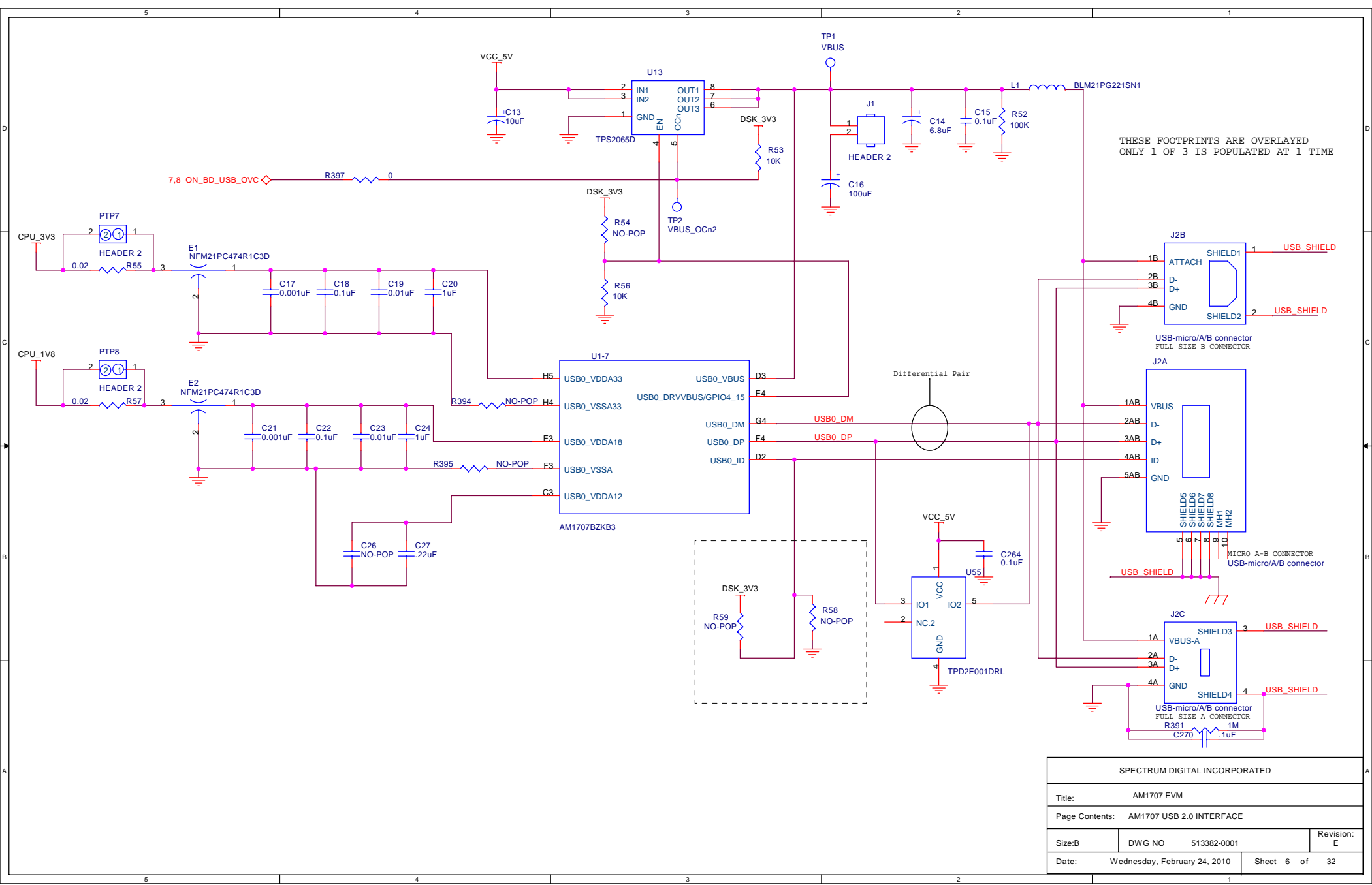
SPECTRUM DIGITAL INCORPORATED			
Title: AM1707 EVM			
Page Contents: Ethernet Muxes			
Size: B	DWG NO	513382-0001	Revision: B
Date:	Wednesday, February 24, 2010	Sheet 3 of	32



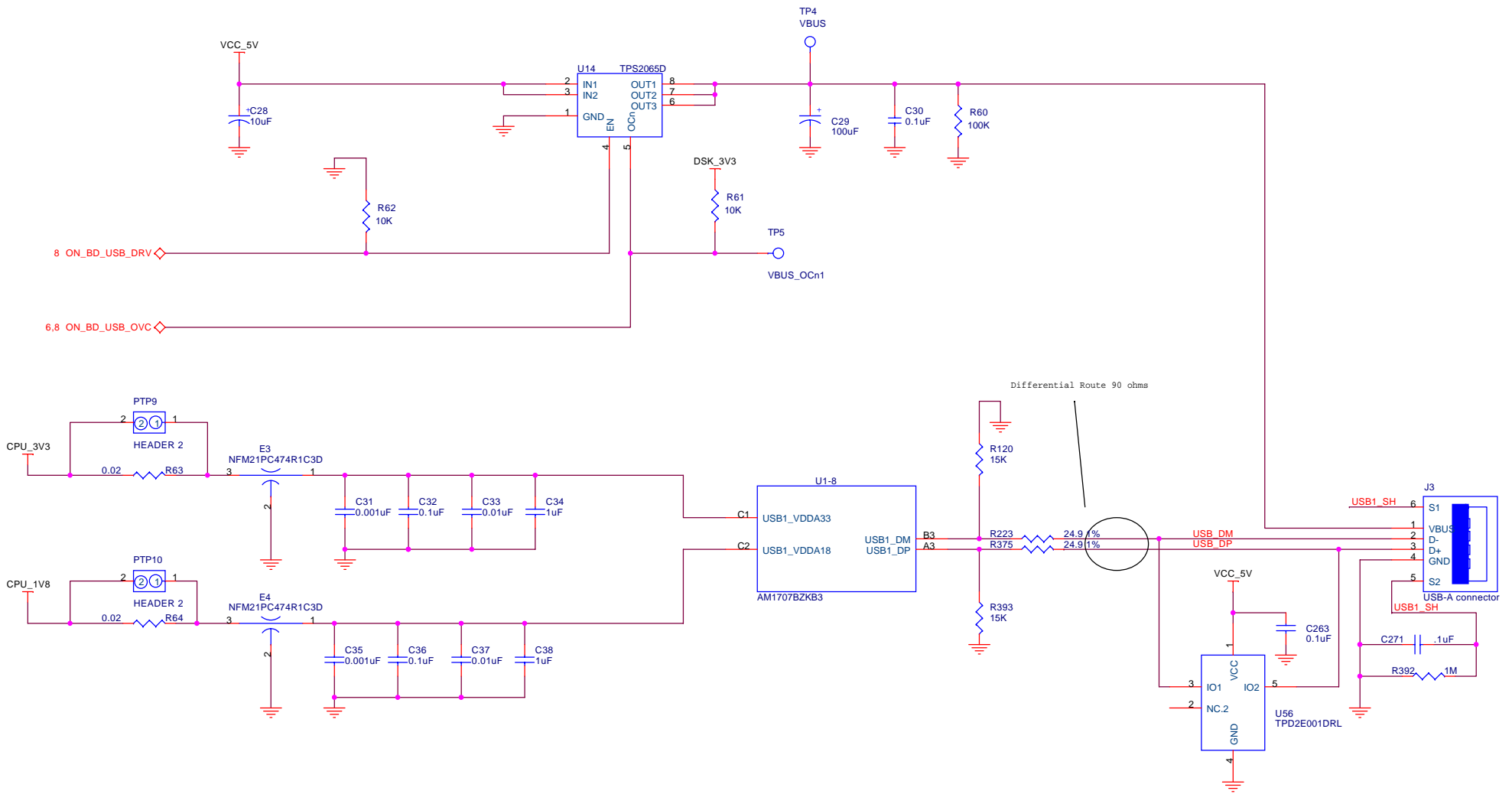
SPECTRUM DIGITAL INCORPORATED			
Title: AM1707 EVM			
Page Contents: Serial I/O			
Size: B	DWG NO	513382-0001	Revision: A
Date:	Wednesday, February 24, 2010	Sheet 4 of	32



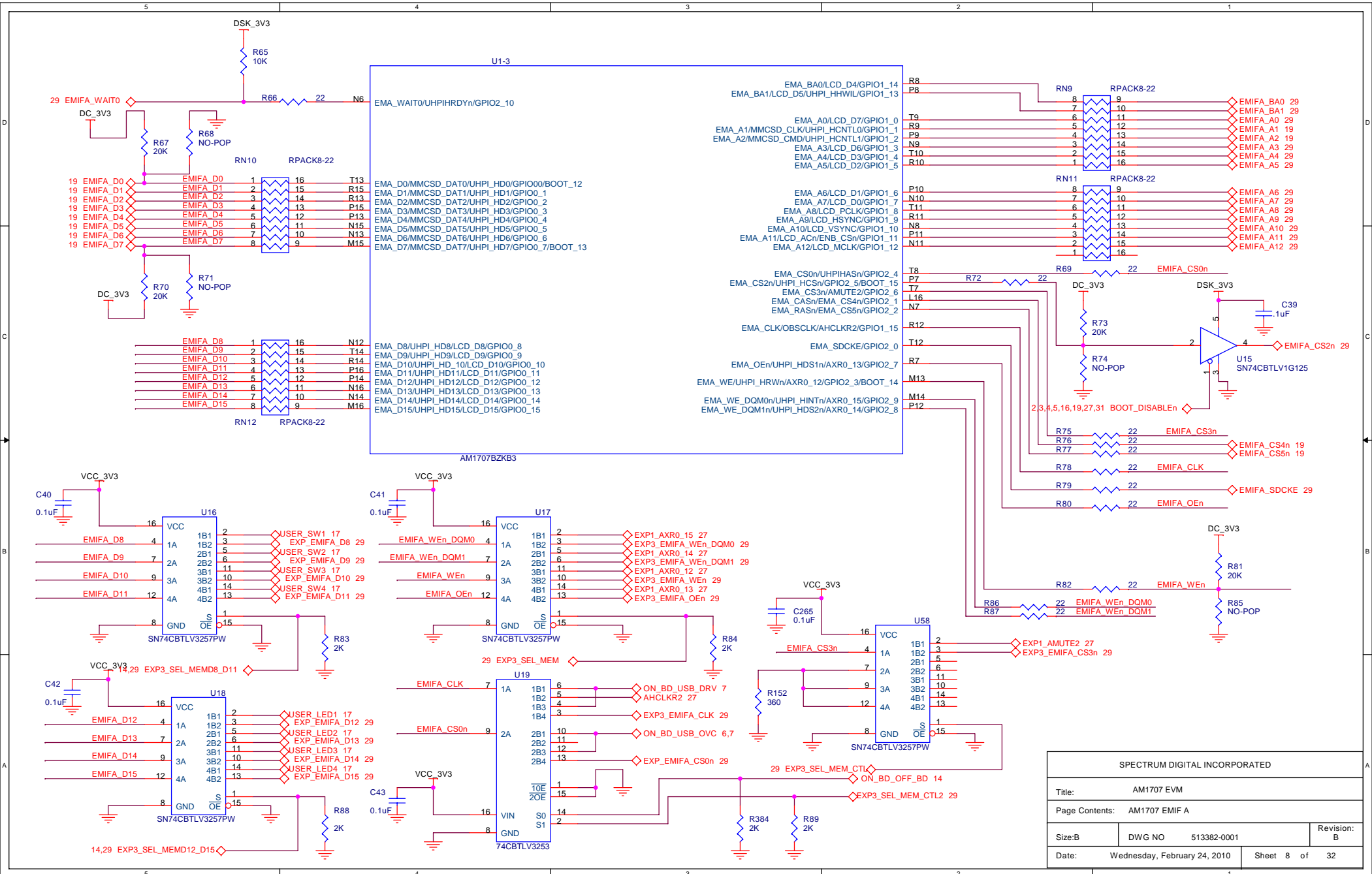
SPECTRUM DIGITAL INCORPORATED			
Title:		AM1707 EVM	
Page Contents: SPI MUXING			
Size: B	DWG NO	513382-0001	Revision: A
Date:	Wednesday, February 24, 2010	Sheet 5 of	32



SPECTRUM DIGITAL INCORPORATED			
Title:		AM1707 EVM	
Page Contents: AM1707 USB 2.0 INTERFACE			
Size: B	DWG NO	513382-0001	Revision: E
Date:	Wednesday, February 24, 2010	Sheet 6 of	32

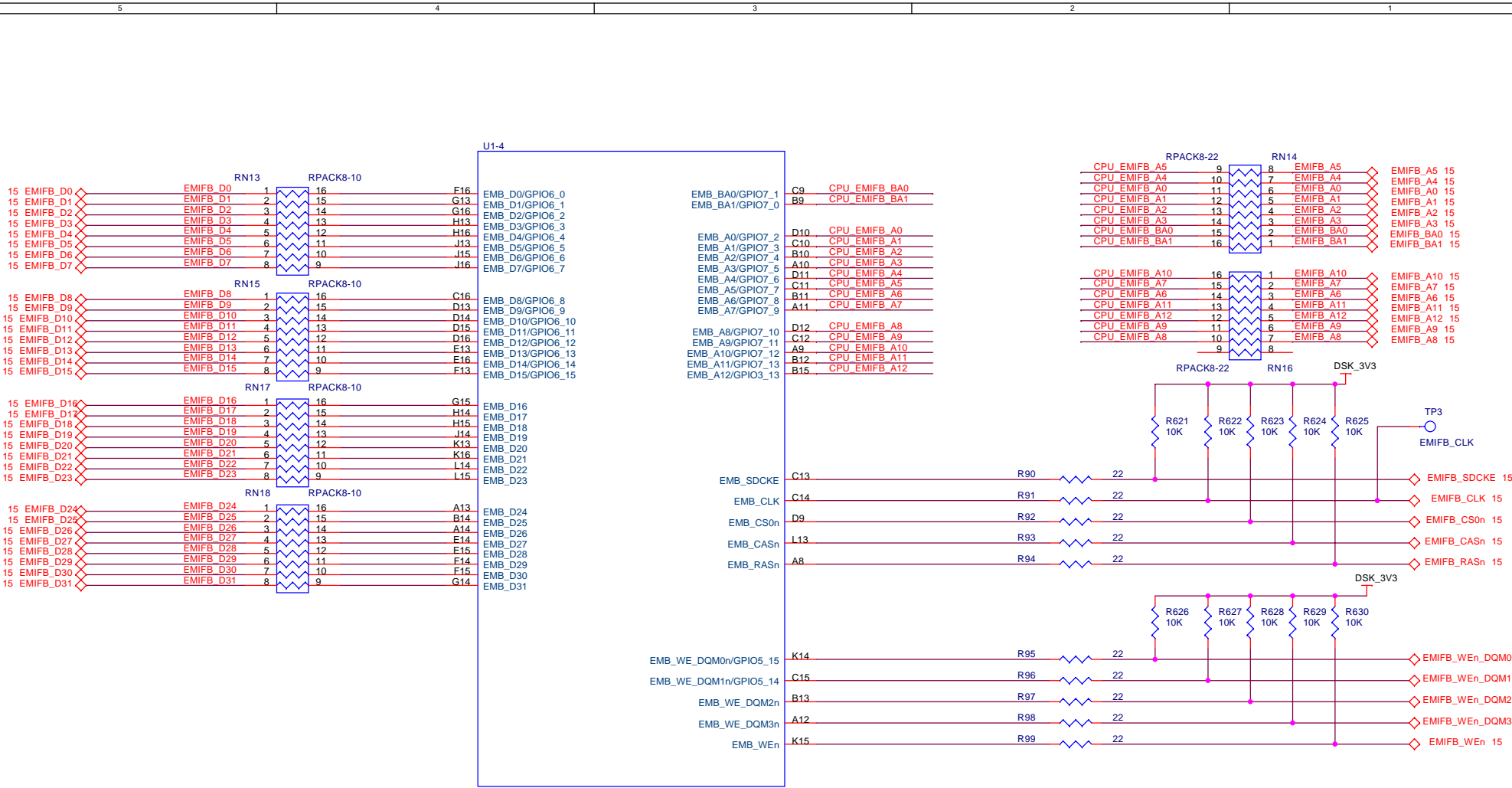


SPECTRUM DIGITAL INCORPORATED			
Title:		AM1707 EVM	
Page Contents: USB 1.0 HOST INTERFACE			
Size: B	DWG NO	513382-0001	Revision: E
Date:	Wednesday, February 24, 2010	Sheet 7 of	32



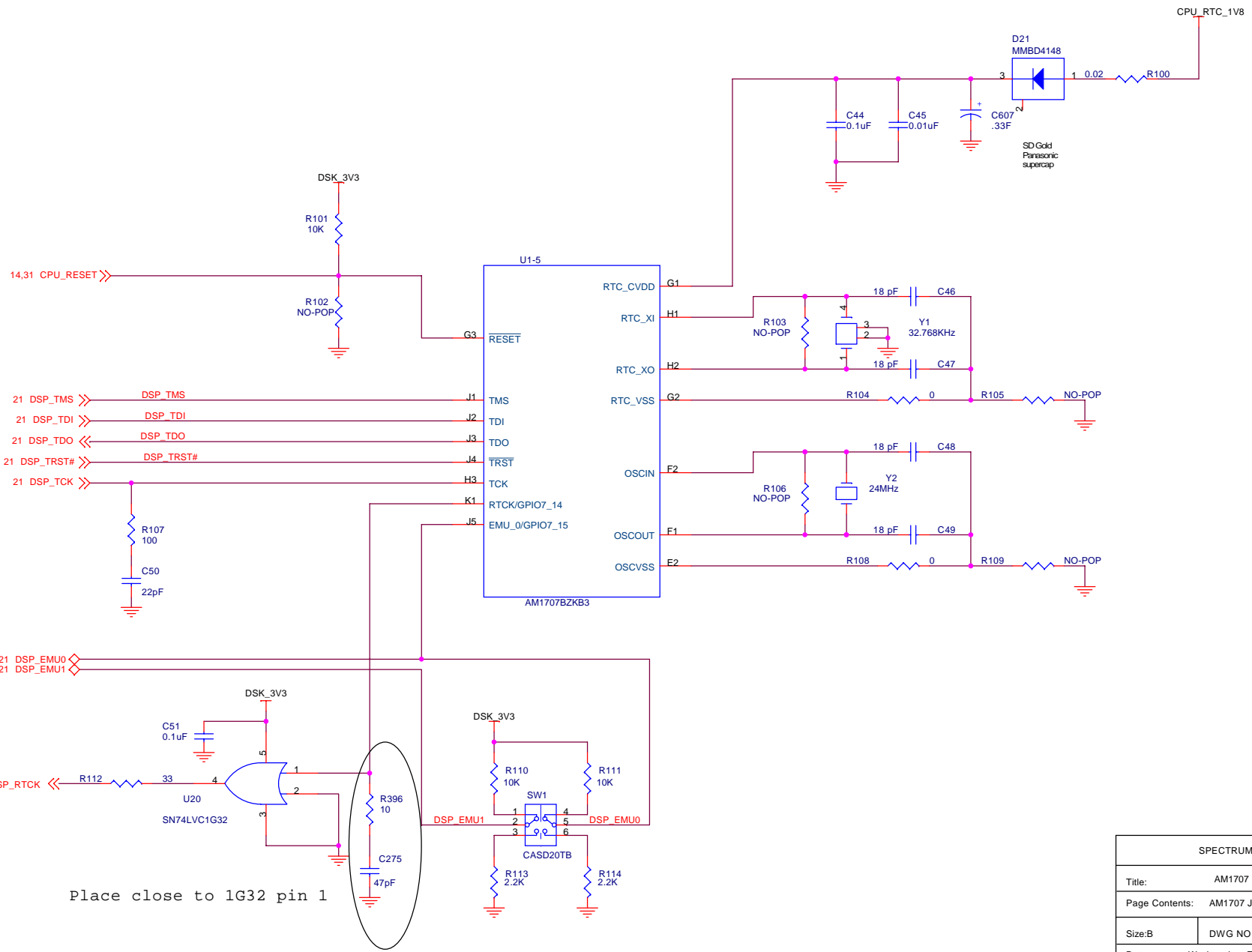
SPECTRUM DIGITAL INCORPORATED			
Title: AM1707 EVM			
Page Contents: AM1707 EMIF A			
Size: B	DWG NO: 513382-0001	Revision: B	
Date: Wednesday, February 24, 2010	Sheet 8 of 32		





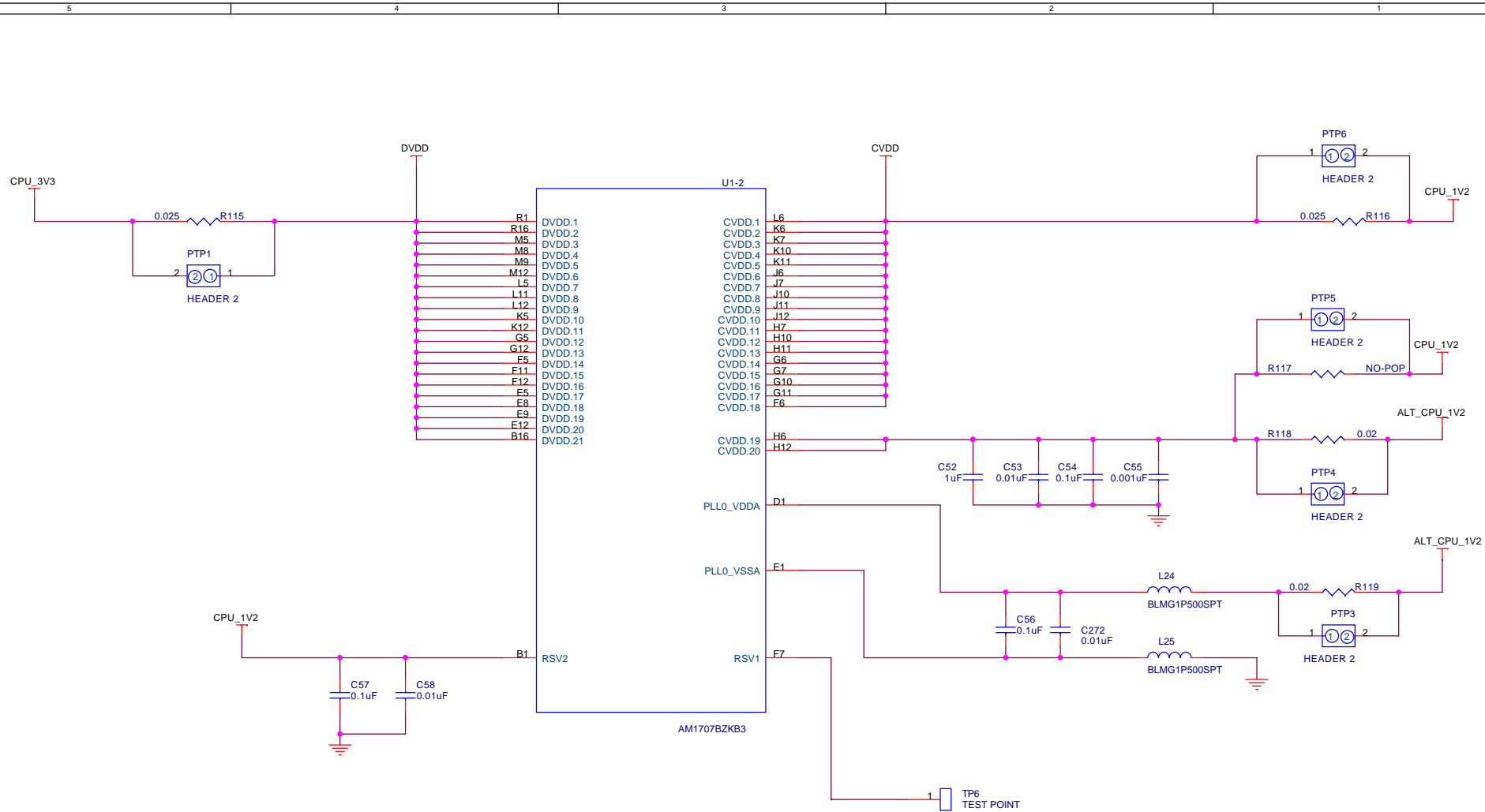
AM1707BZKB3

SPECTRUM DIGITAL INCORPORATED			
Title: AM1707 EVM			
Page Contents: AM1707 EMIF-B			
Size: B	DWG NO	513382-0001	Revision: A
Date:	Wednesday, February 24, 2010	Sheet 9 of	32

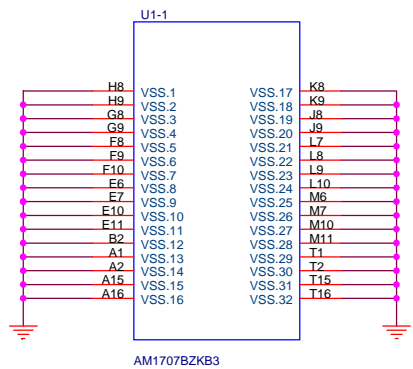


Place close to 1G32 pin 1

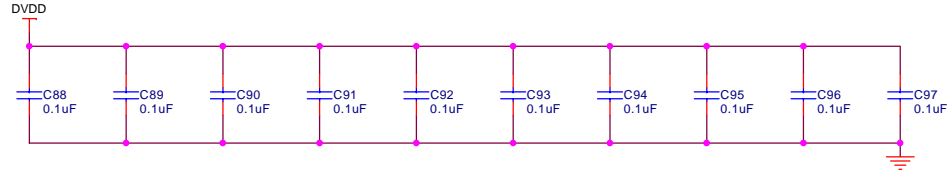
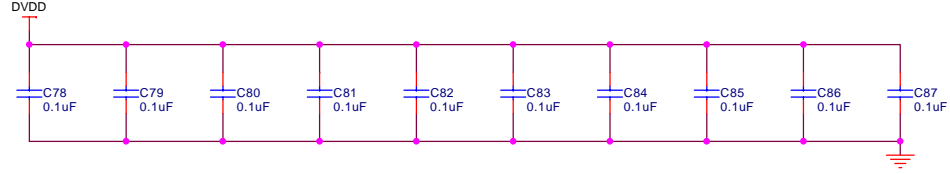
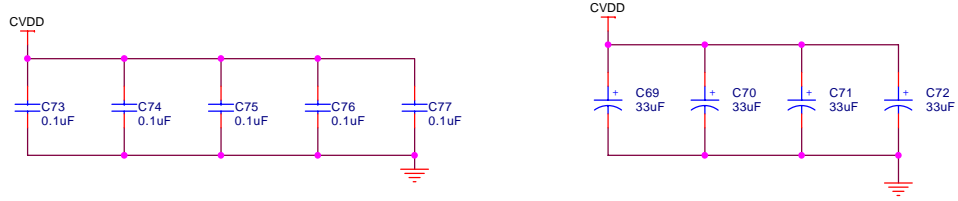
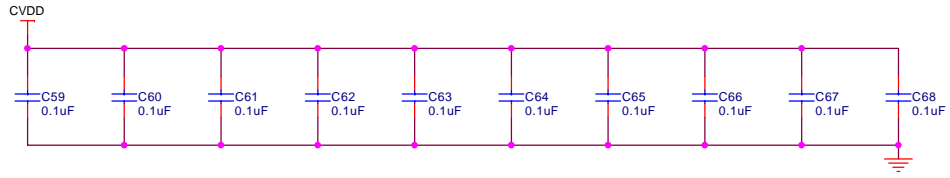
SPECTRUM DIGITAL INCORPORATED			
Title:		AM1707 EVM	
Page Contents: AM1707 JTAG/CLOCKS			
Size: B	DWG NO	513382-0001	Revision: F
Date:	Wednesday, February 24, 2010	Sheet	10 of 32



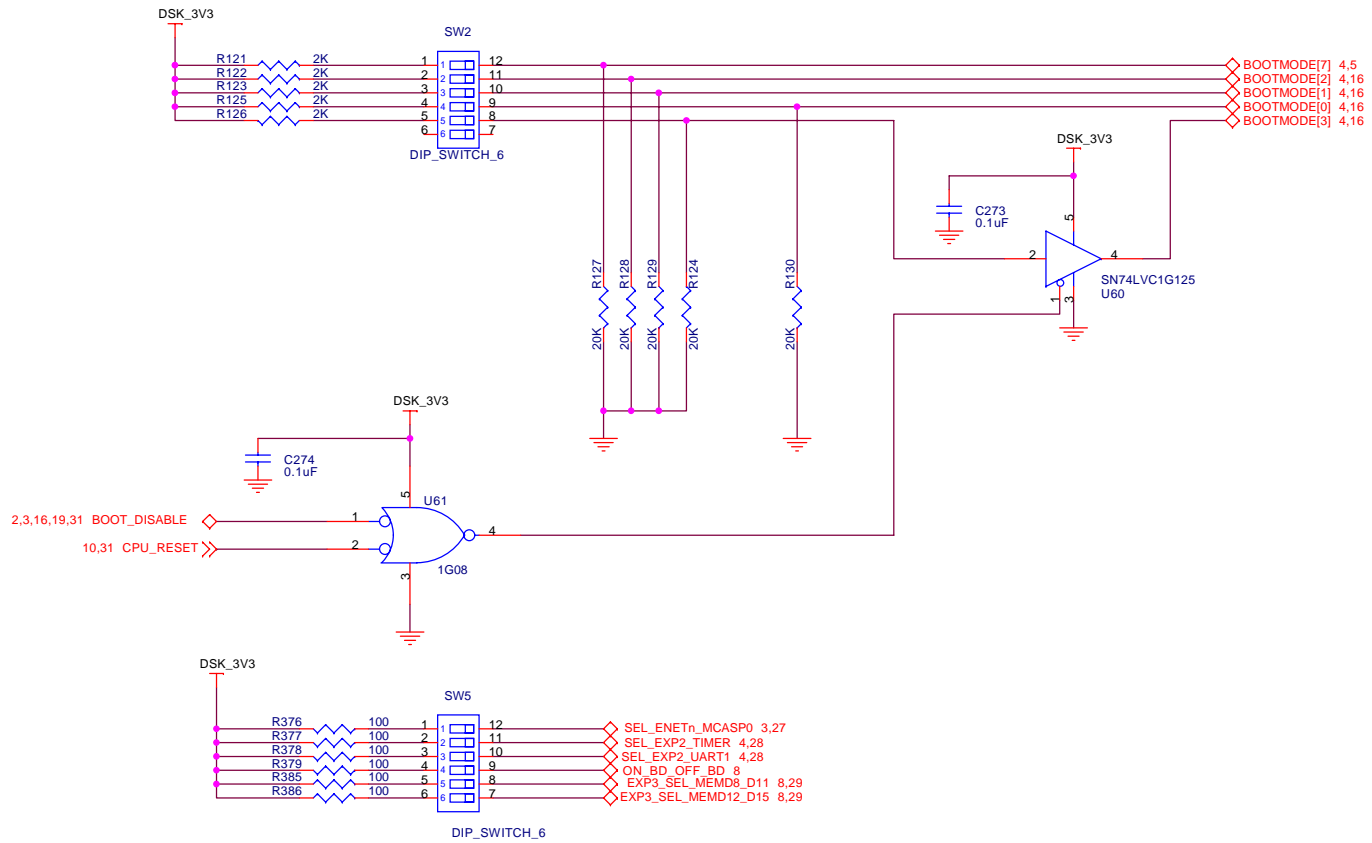
SPECTRUM DIGITAL INCORPORATED			
Title: AM1707 EVM			
Page Contents: AM1707 POWER PINS			
Size: B	DWG NO	513382-0001	Revision: C
Date:	Wednesday, February 24, 2010	Sheet 11 of	32



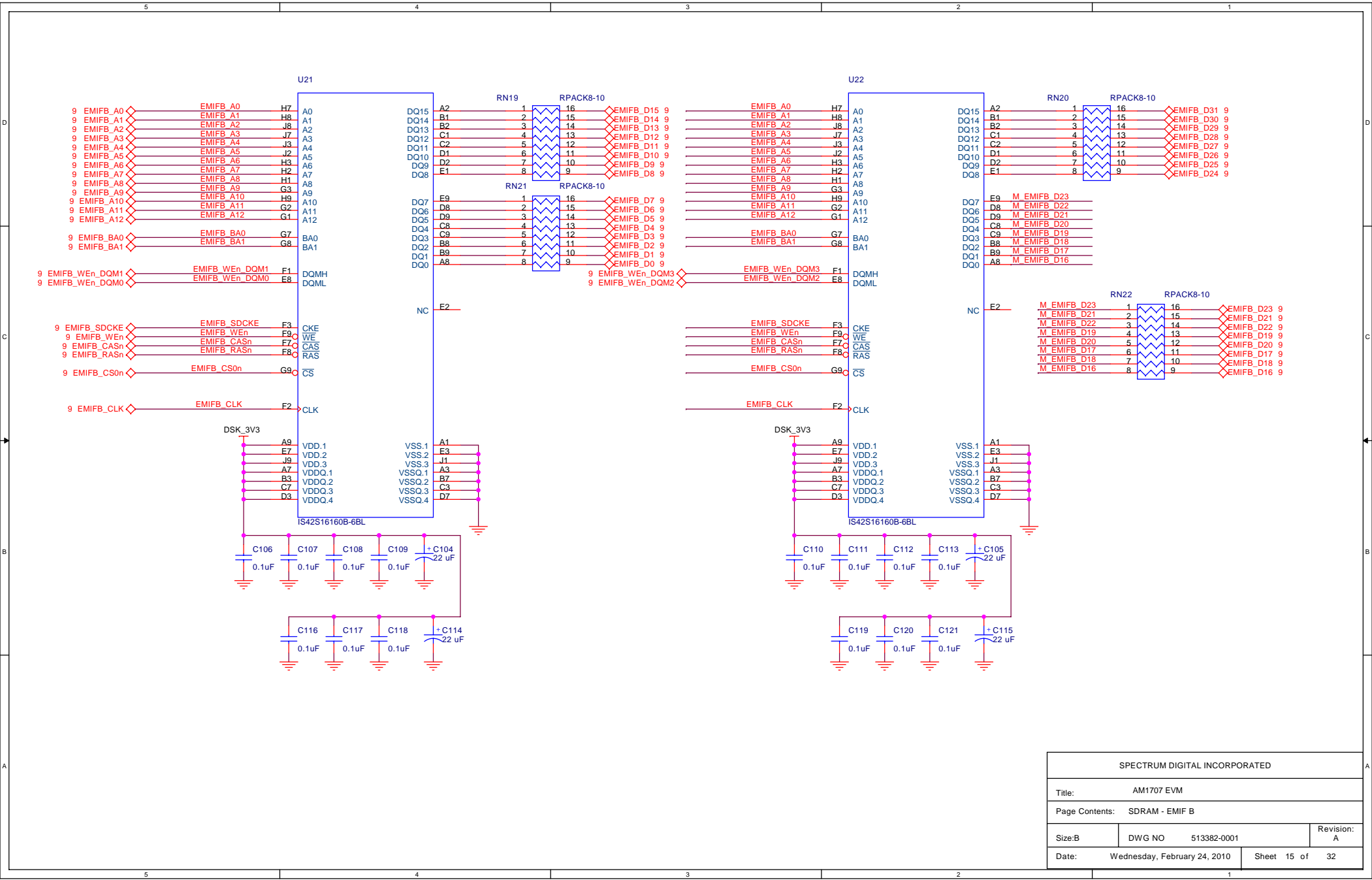
SPECTRUM DIGITAL INCORPORATED			
Title:		AM1707 EVM	
Page Contents:		AM1707 GROUND PINS	
Size:	DWG NO	513382-0001	Revision: A
Date:	Wednesday, February 24, 2010	Sheet 12 of	32



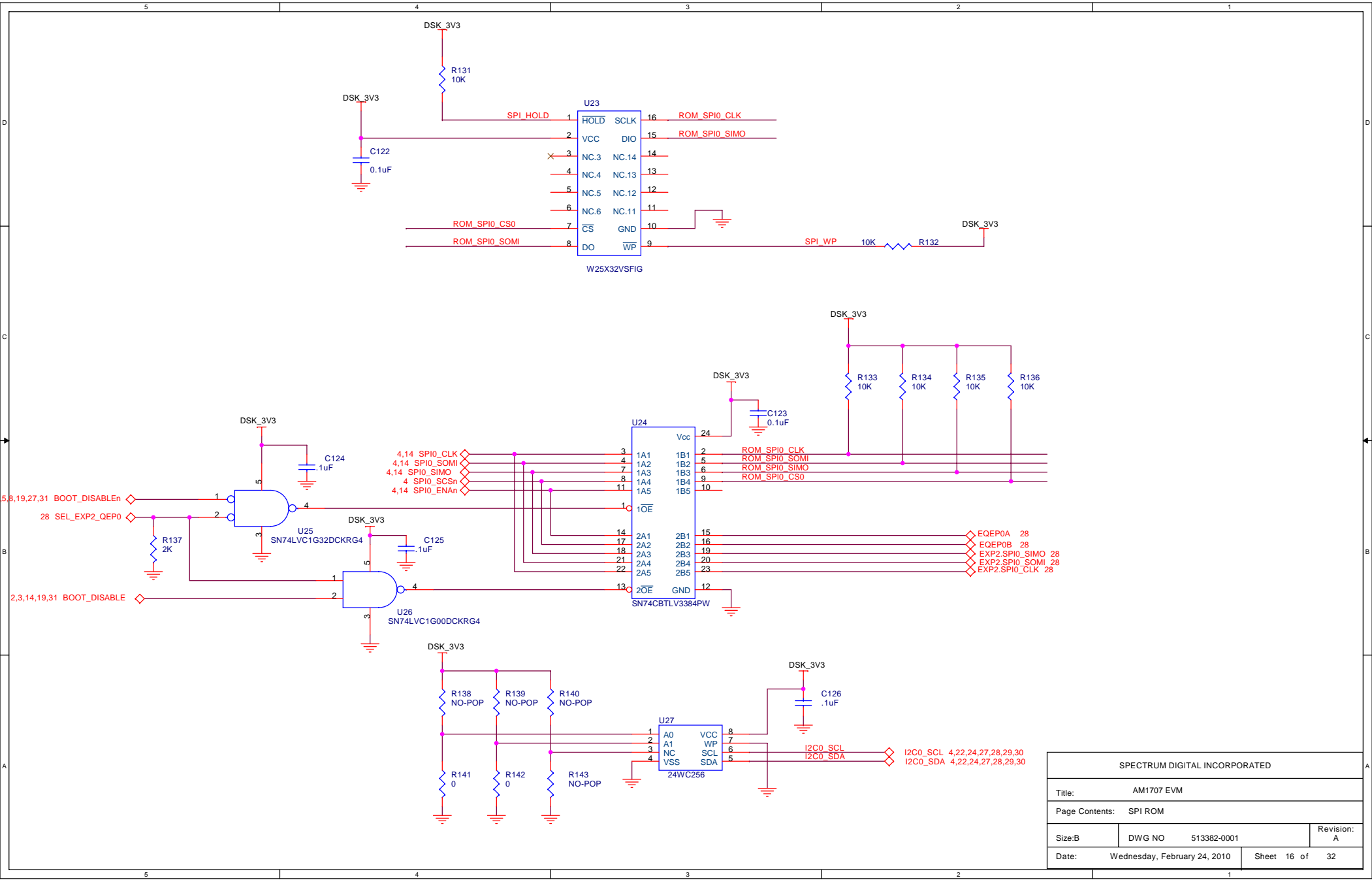
SPECTRUM DIGITAL INCORPORATED			
Title: AM1707 EVM			
Page Contents: AM1707 DECOUPLING CAPACITORS			
Size: B	DWG NO	513382-0001	Revision: A
Date:	Wednesday, February 24, 2010	Sheet 13 of	32



SPECTRUM DIGITAL INCORPORATED			
Title:		AM1707 EVM	
Page Contents: BOOT MODES			
Size: B	DWG NO	513382-0001	Revision: C
Date:	Wednesday, February 24, 2010	Sheet 14 of	32

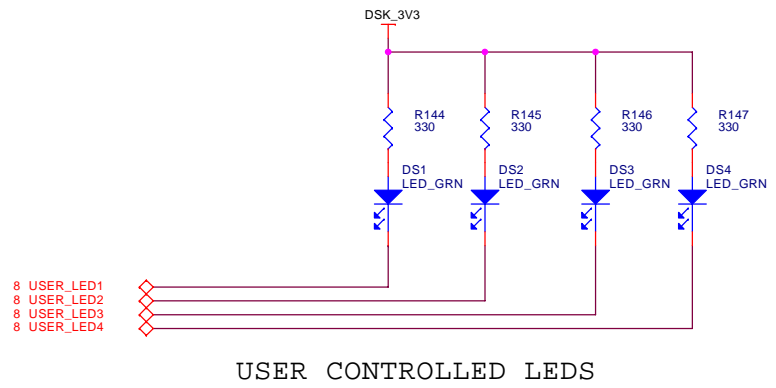
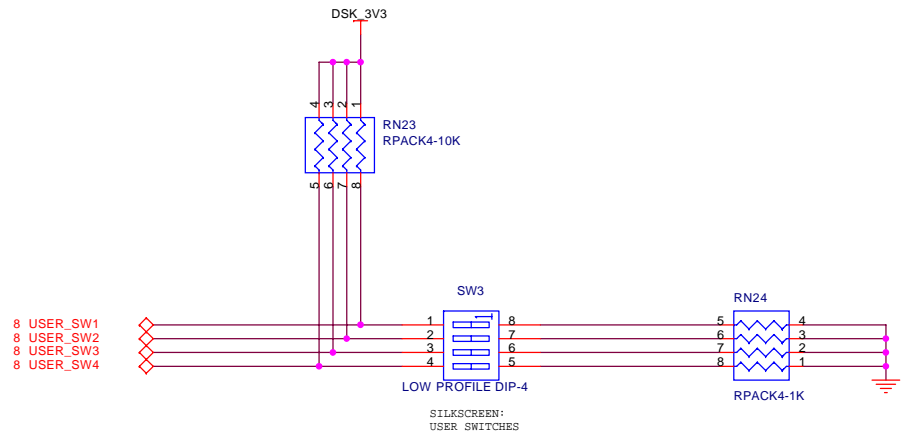


SPECTRUM DIGITAL INCORPORATED			
Title: AM1707 EVM			
Page Contents: SDRAM - EMIF B			
Size: B	DWG NO	513382-0001	Revision: A
Date:	Wednesday, February 24, 2010	Sheet 15 of	32



SPECTRUM DIGITAL INCORPORATED			
Title: AM1707 EVM			
Page Contents: SPI ROM			
Size: B	DWG NO: 513382-0001	Revision: A	
Date: Wednesday, February 24, 2010	Sheet 16 of 32		

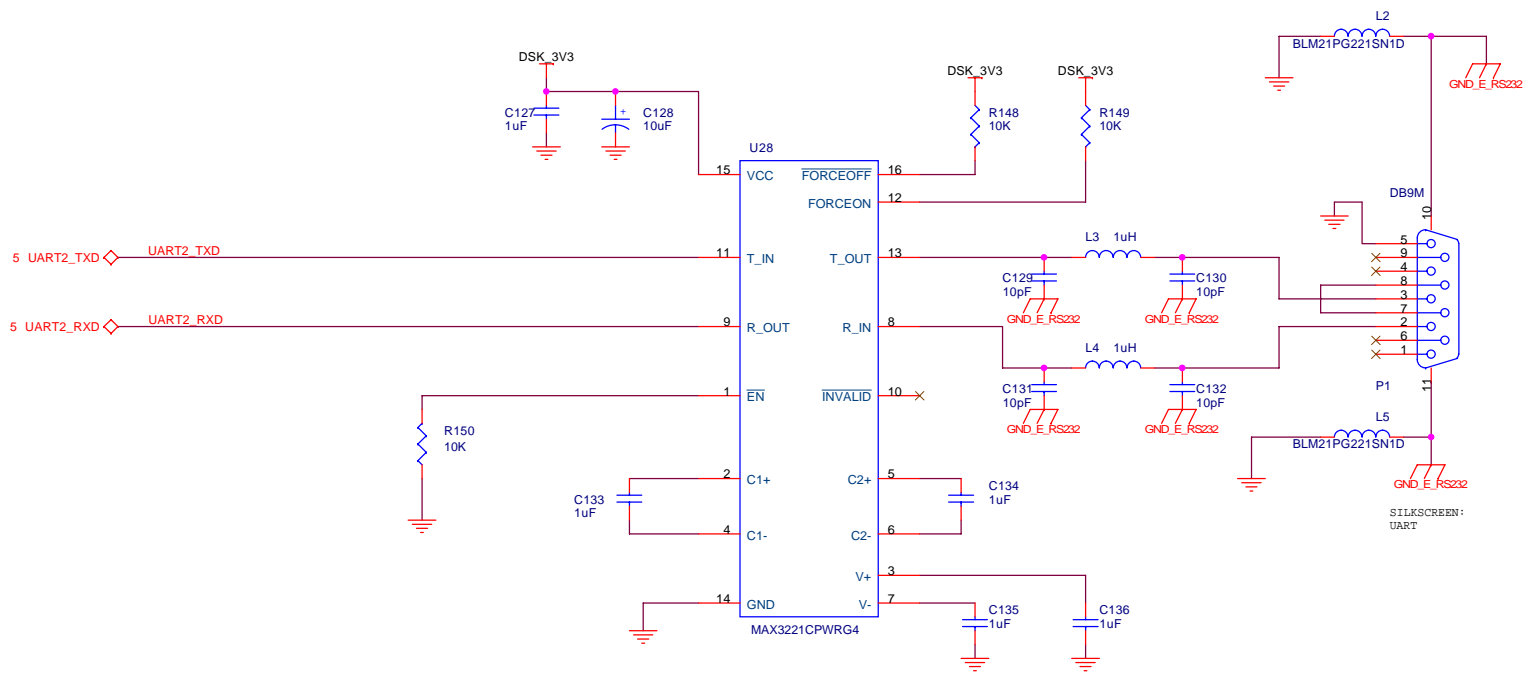




USER CONTROLLED LEDS

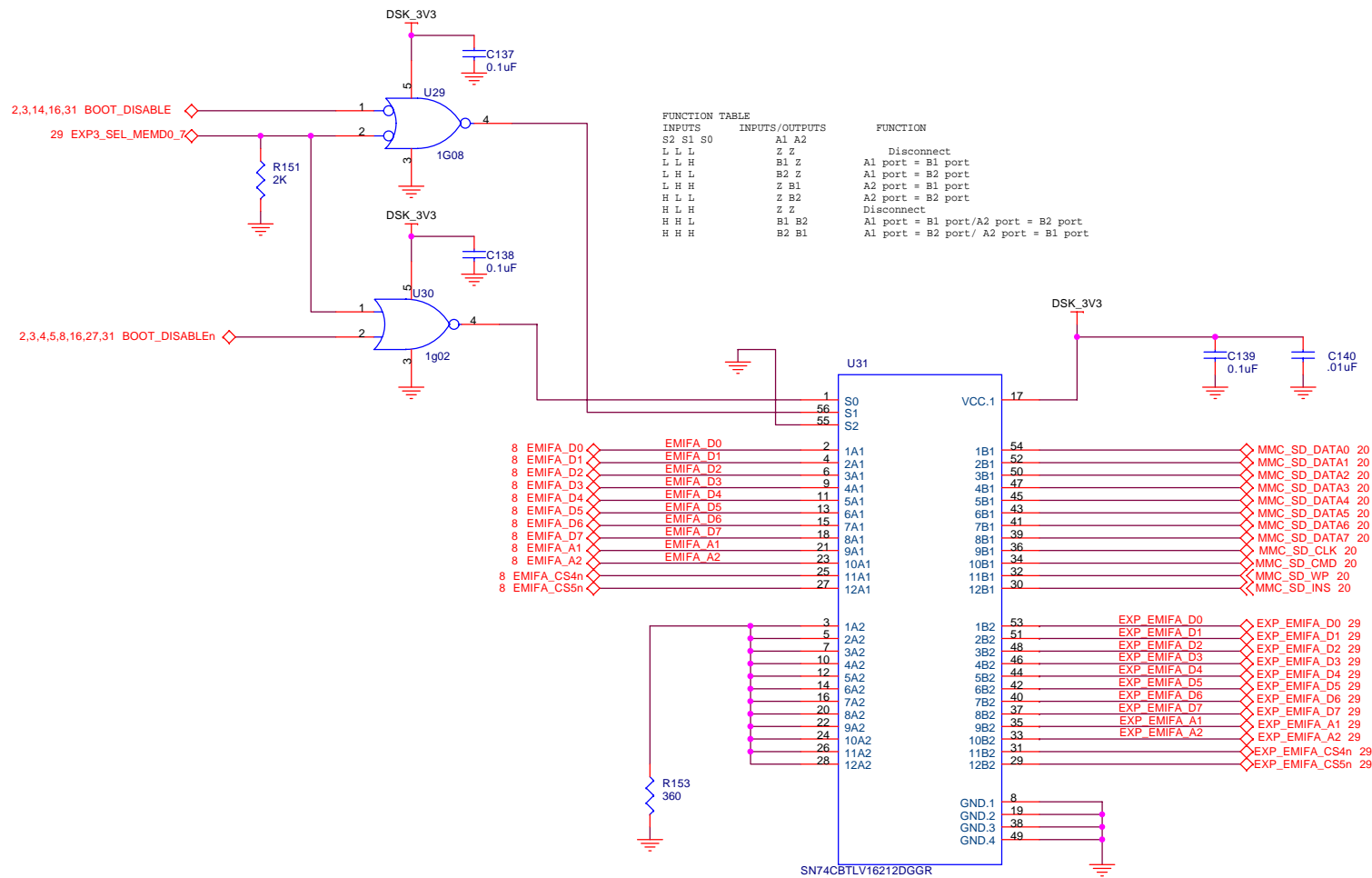
SPECTRUM DIGITAL INCORPORATED			
Title: AM1707 EVM			
Page Contents: USER SWITCHES LEDS			
Size: B	DWG NO	513382-0001	Revision: A
Date:	Wednesday, February 24, 2010	Sheet 17 of	32

5 4 3 2 1



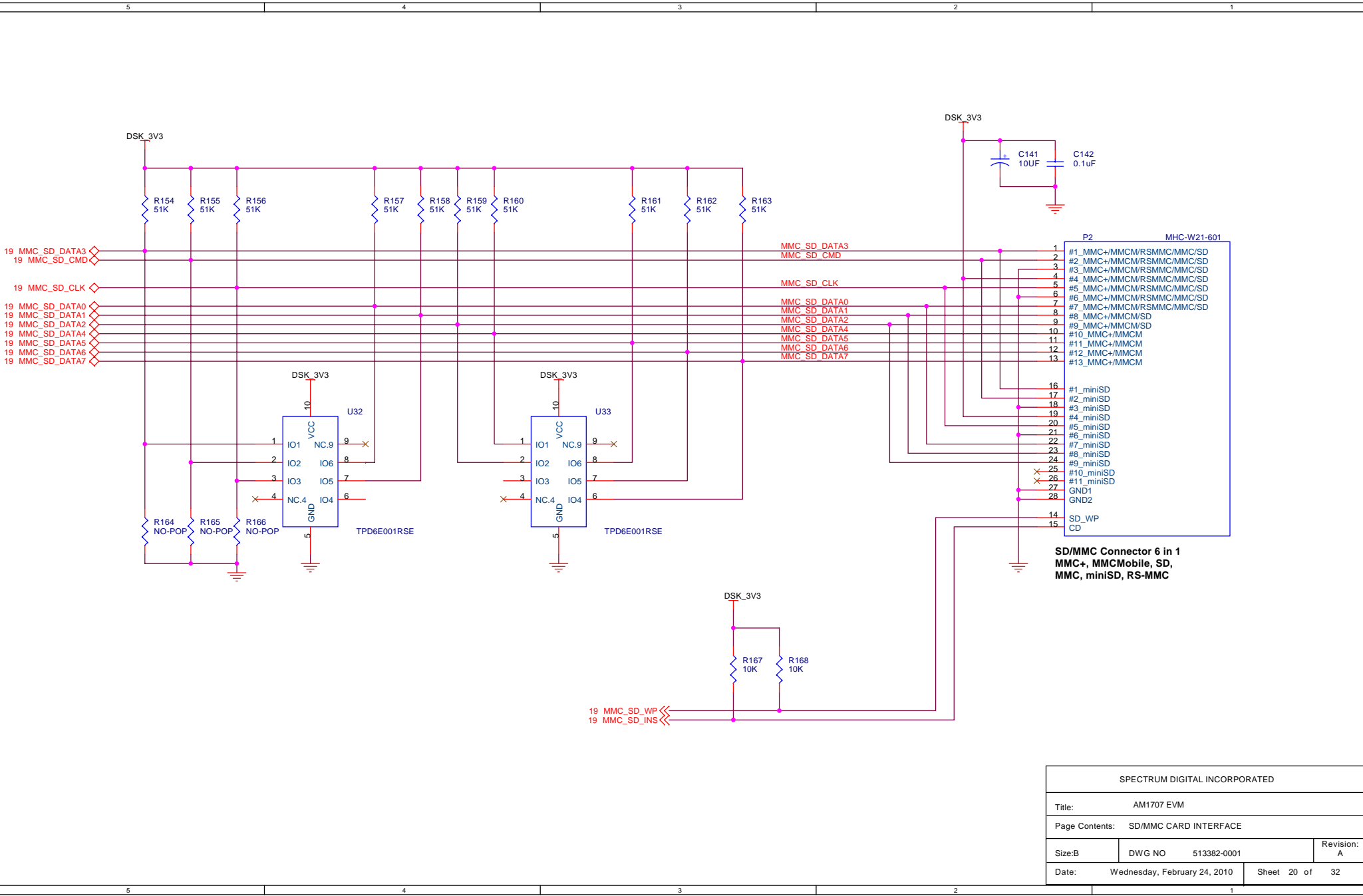
SPECTRUM DIGITAL INCORPORATED			
Title: AM1707 EVM			
Page Contents: RS232			
Size: B	DWG NO	513382-0001	Revision: A
Date:	Wednesday, February 24, 2010		Sheet 18 of 32

5 4 3 2 1

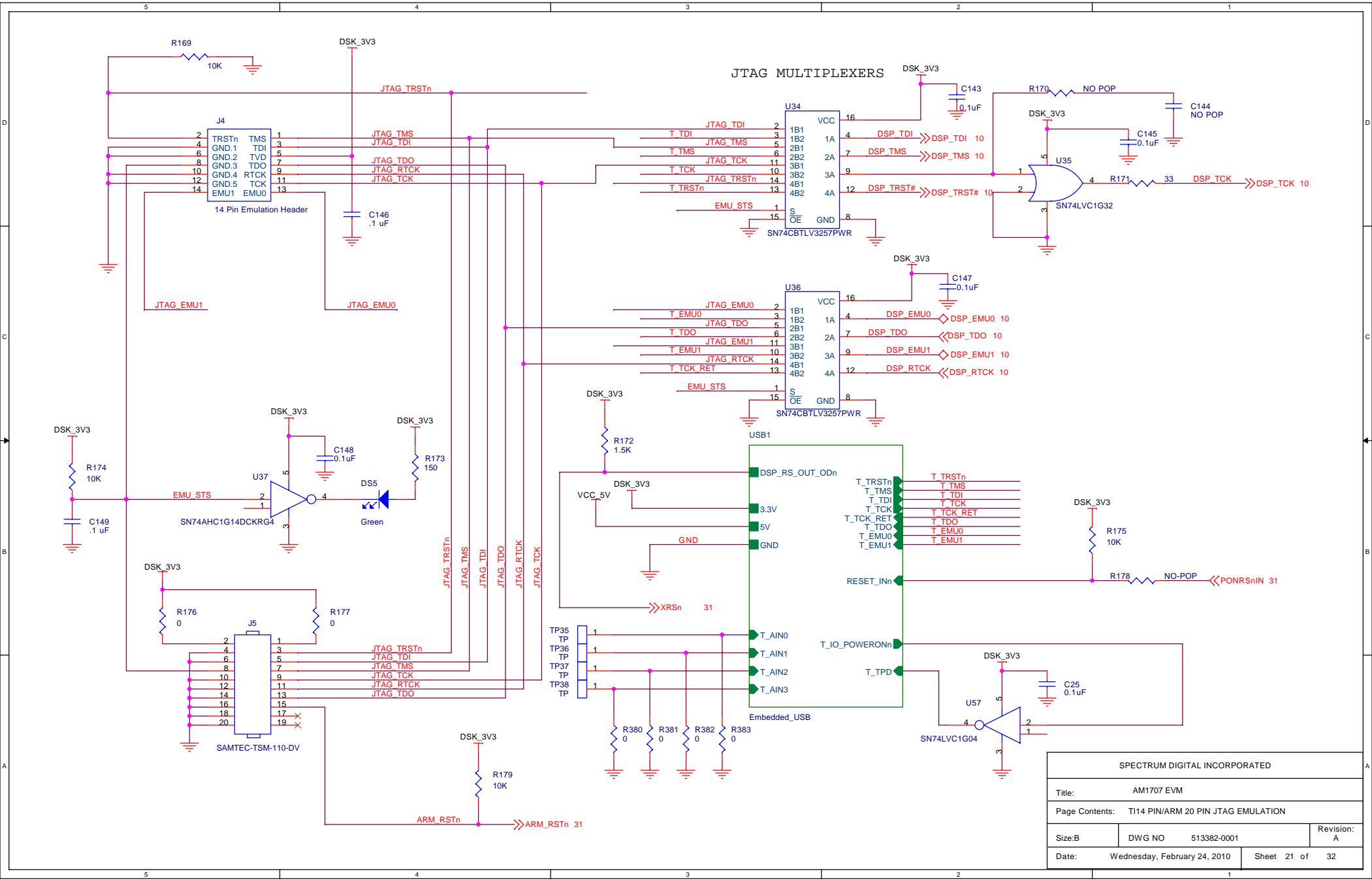


FUNCTION TABLE		INPUTS/OUTPUTS		FUNCTION	
S2	S1	S0	A1	A2	
L	L	L	Z	Z	Disconnect
L	L	H	B1	Z	A1 port = B1 port
L	H	L	B2	Z	A1 port = B2 port
L	H	H	Z	B1	A2 port = B1 port
H	L	L	Z	B2	A2 port = B2 port
H	L	H	Z	Z	Disconnect
H	H	L	B1	B2	A1 port = B1 port/A2 port = B2 port
H	H	H	B2	B1	A1 port = B2 port/A2 port = B1 port

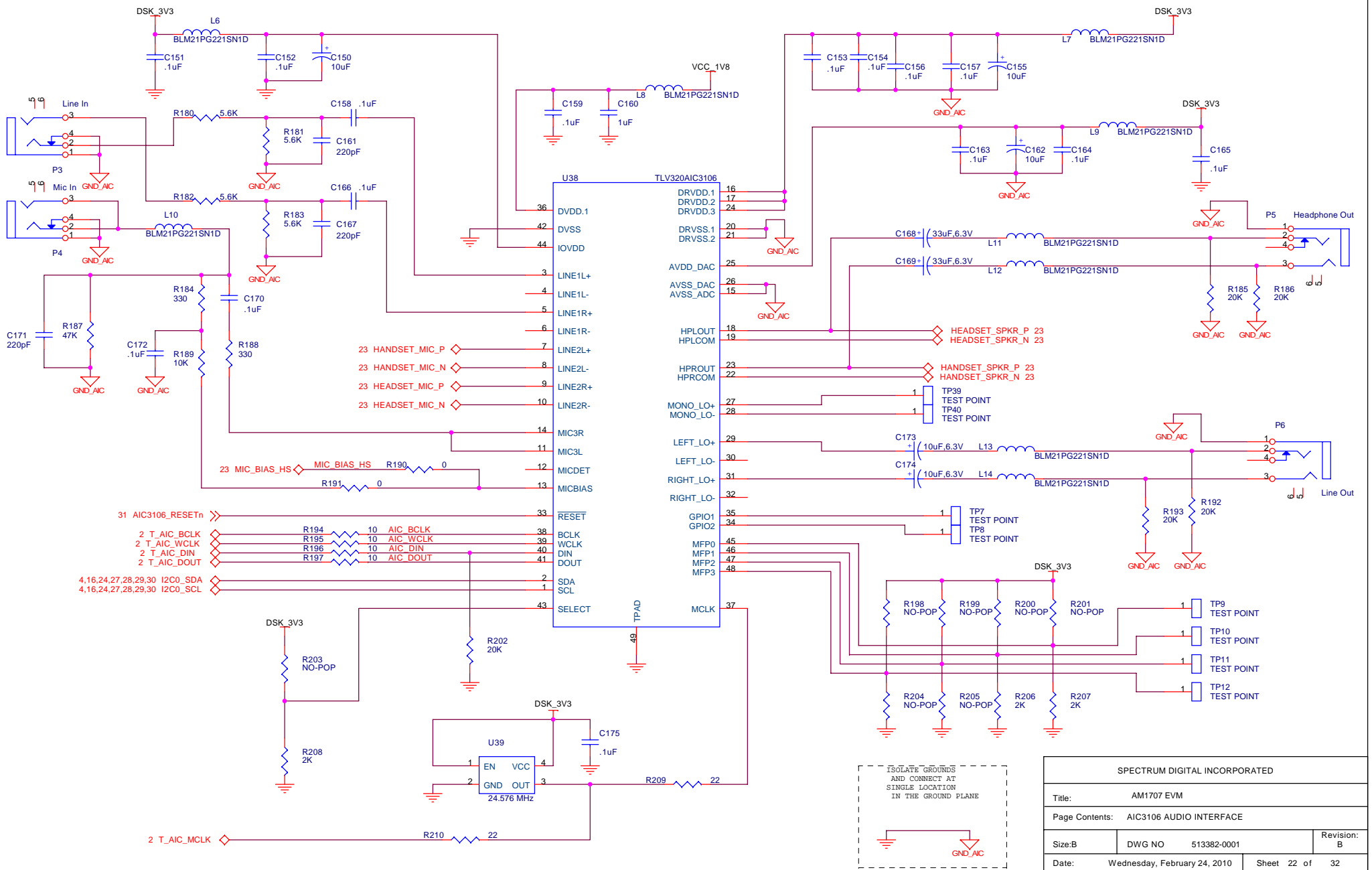
SPECTRUM DIGITAL INCORPORATED			
Title: AM1707 EVM			
Page Contents: SD/MMC CARDMUXING			
Size: B	DWG NO	513382-0001	Revision: B
Date:	Wednesday, February 24, 2010	Sheet 19 of	32



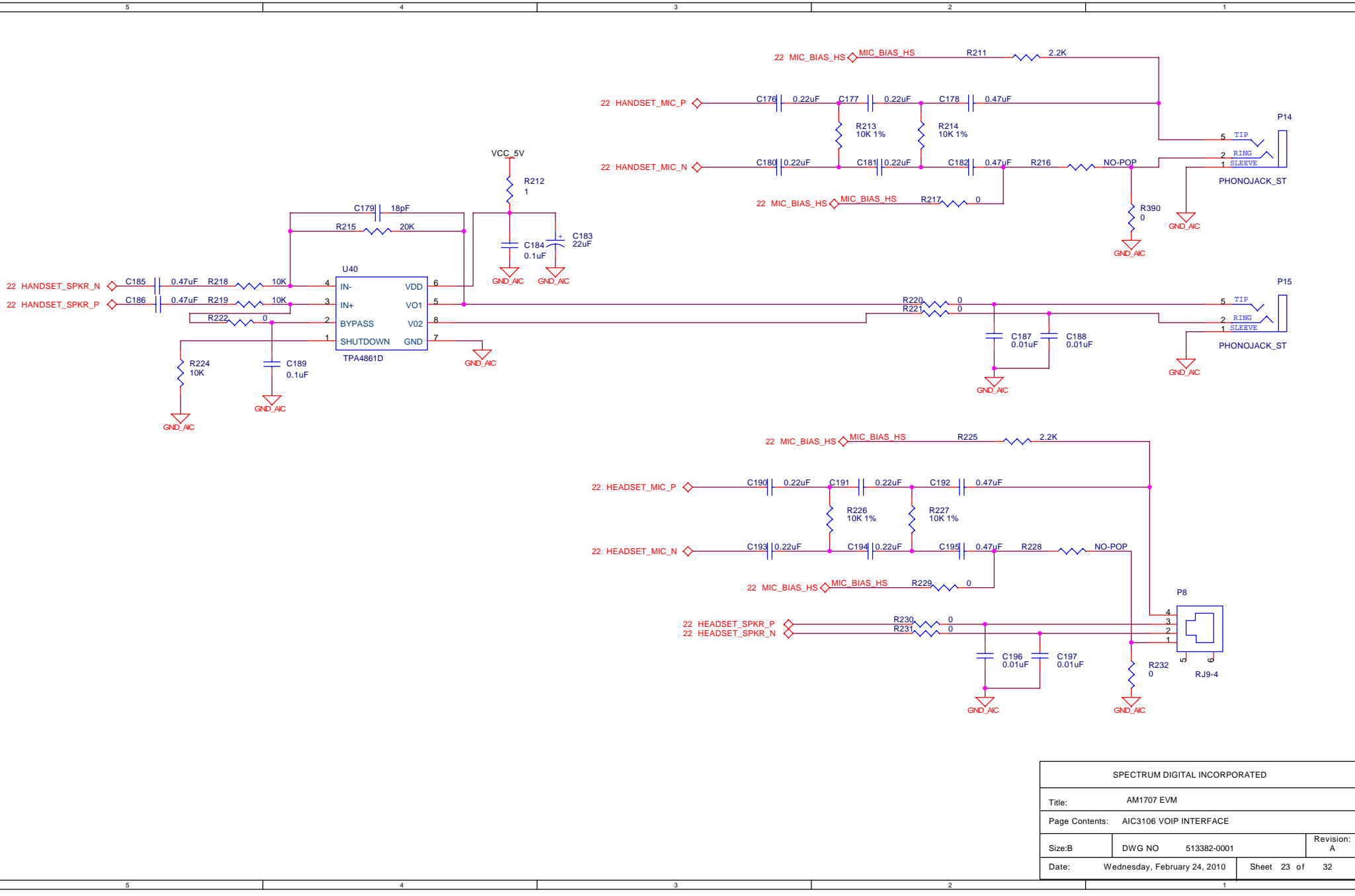
SPECTRUM DIGITAL INCORPORATED			
Title: AM1707 EVM			
Page Contents: SD/MMC CARD INTERFACE			
Size: B	DWG NO	513382-0001	Revision: A
Date:	Wednesday, February 24, 2010	Sheet 20 of	32



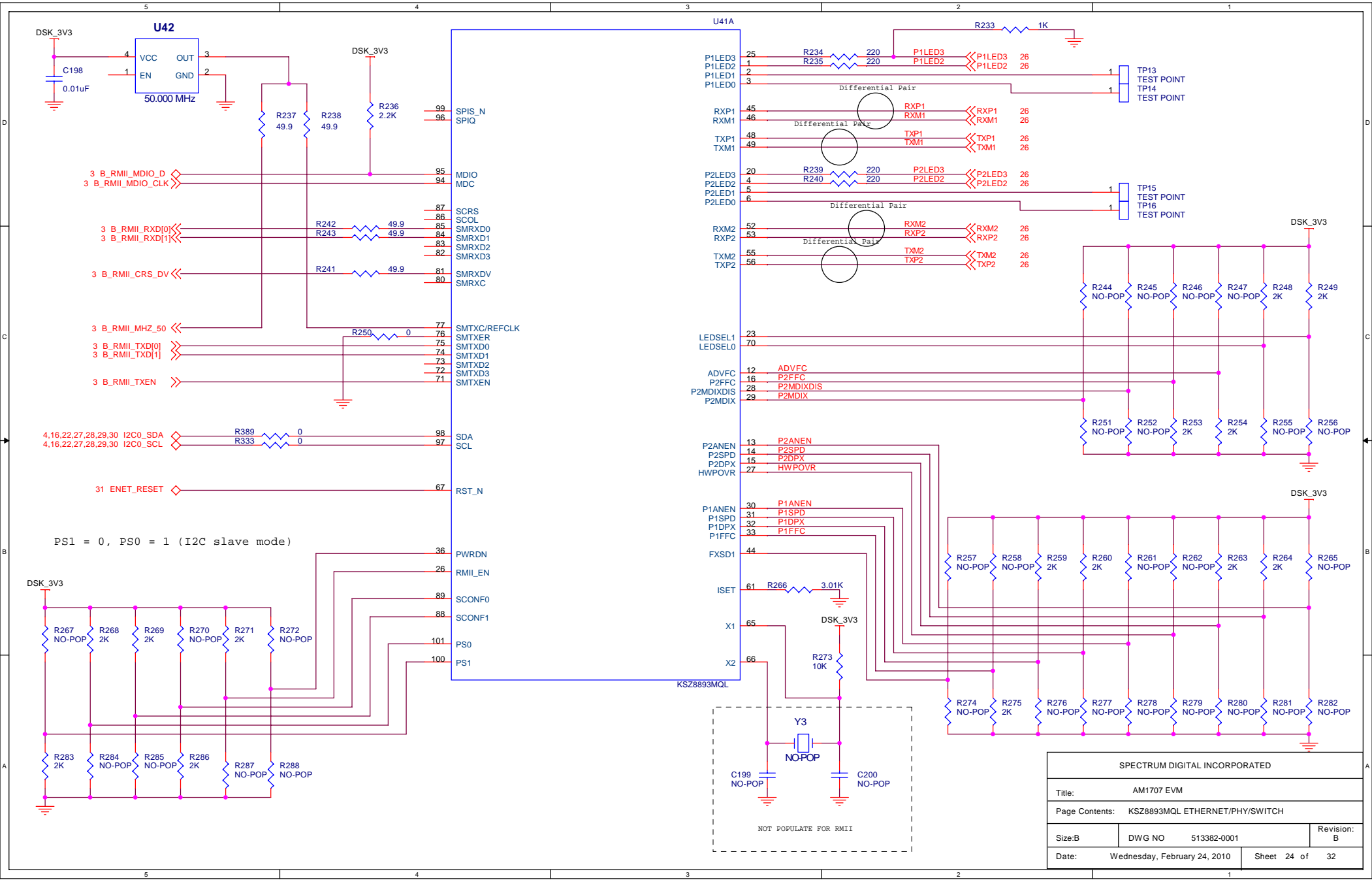
SPECTRUM DIGITAL INCORPORATED			
Title: AM1707 EVM			
Page Contents: T114 PIN/ARM 20 PIN JTAG EMULATION			
Size: B	DWG NO: 513382-0001	Revision: A	
Date: Wednesday, February 24, 2010	Sheet 21 of 32		



SPECTRUM DIGITAL INCORPORATED			
Title: AM1707 EVM			
Page Contents: AIC3106 AUDIO INTERFACE			
Size: B	DWG NO	513382-0001	Revision: B
Date:	Wednesday, February 24, 2010	Sheet 22 of	32

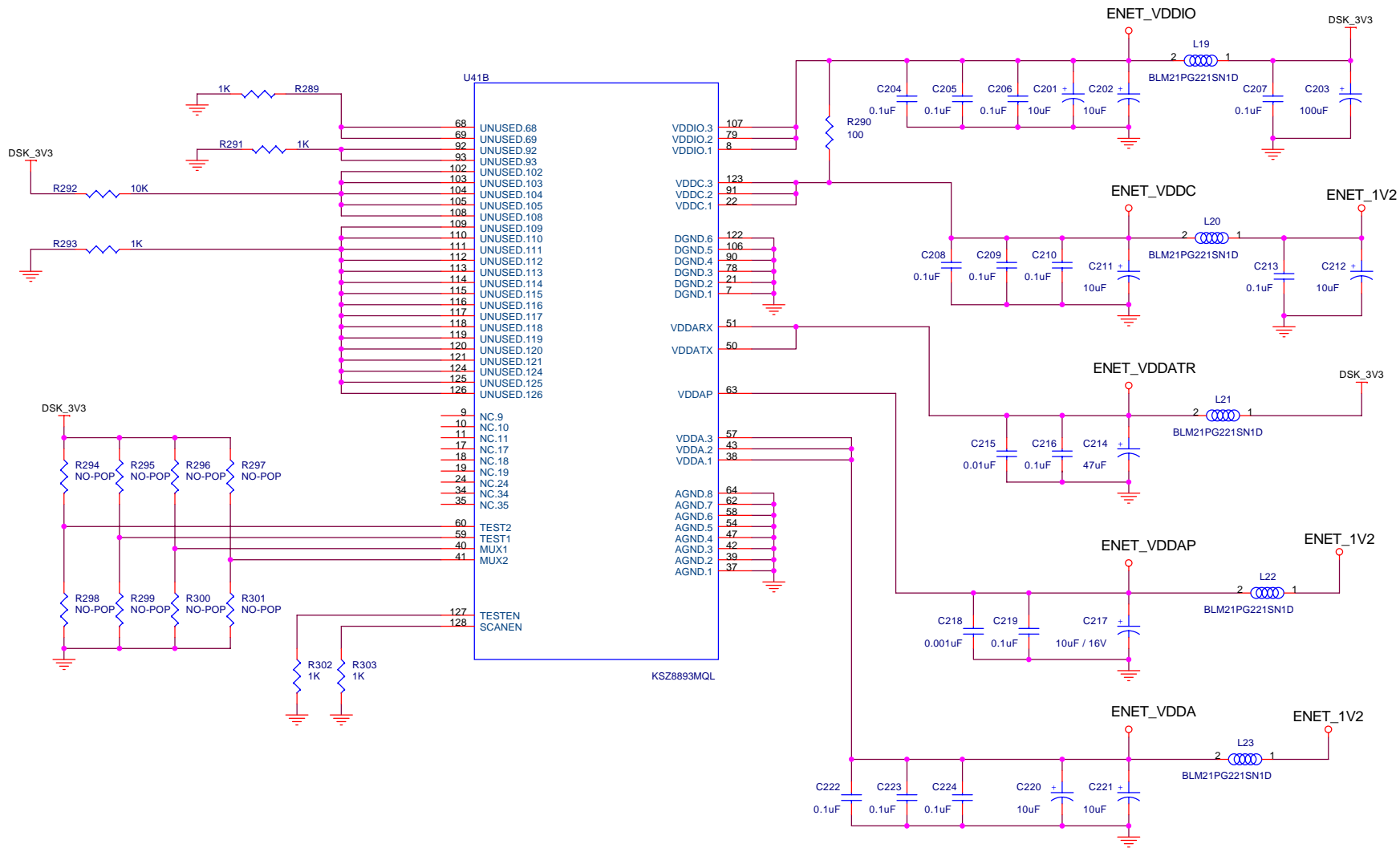


SPECTRUM DIGITAL INCORPORATED			
Title: AM1707 EVM			
Page Contents: AIC3106 VOIP INTERFACE			
Size: B	DWG NO	513382-0001	Revision: A
Date:	Wednesday, February 24, 2010	Sheet 23 of	32

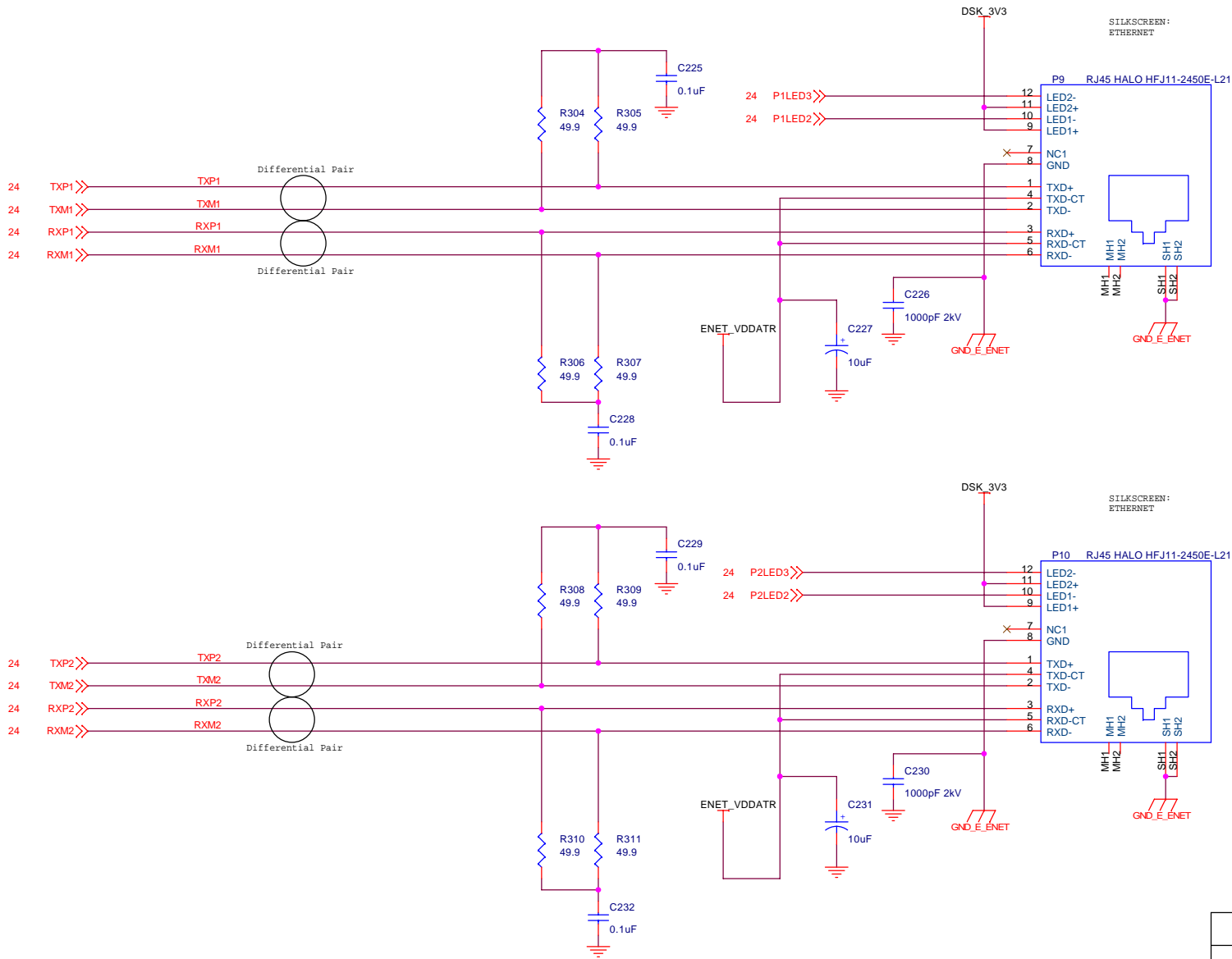


SPECTRUM DIGITAL INCORPORATED			
Title: AM1707 EVM			
Page Contents: KSZ8893MQL ETHERNET/PHY/SWITCH			
Size: B	DWG NO	513382-0001	Revision: B
Date: Wednesday, February 24, 2010	Sheet 24 of 32		



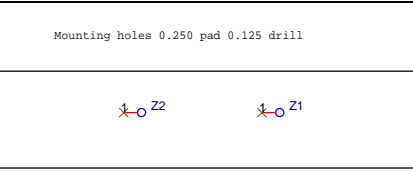
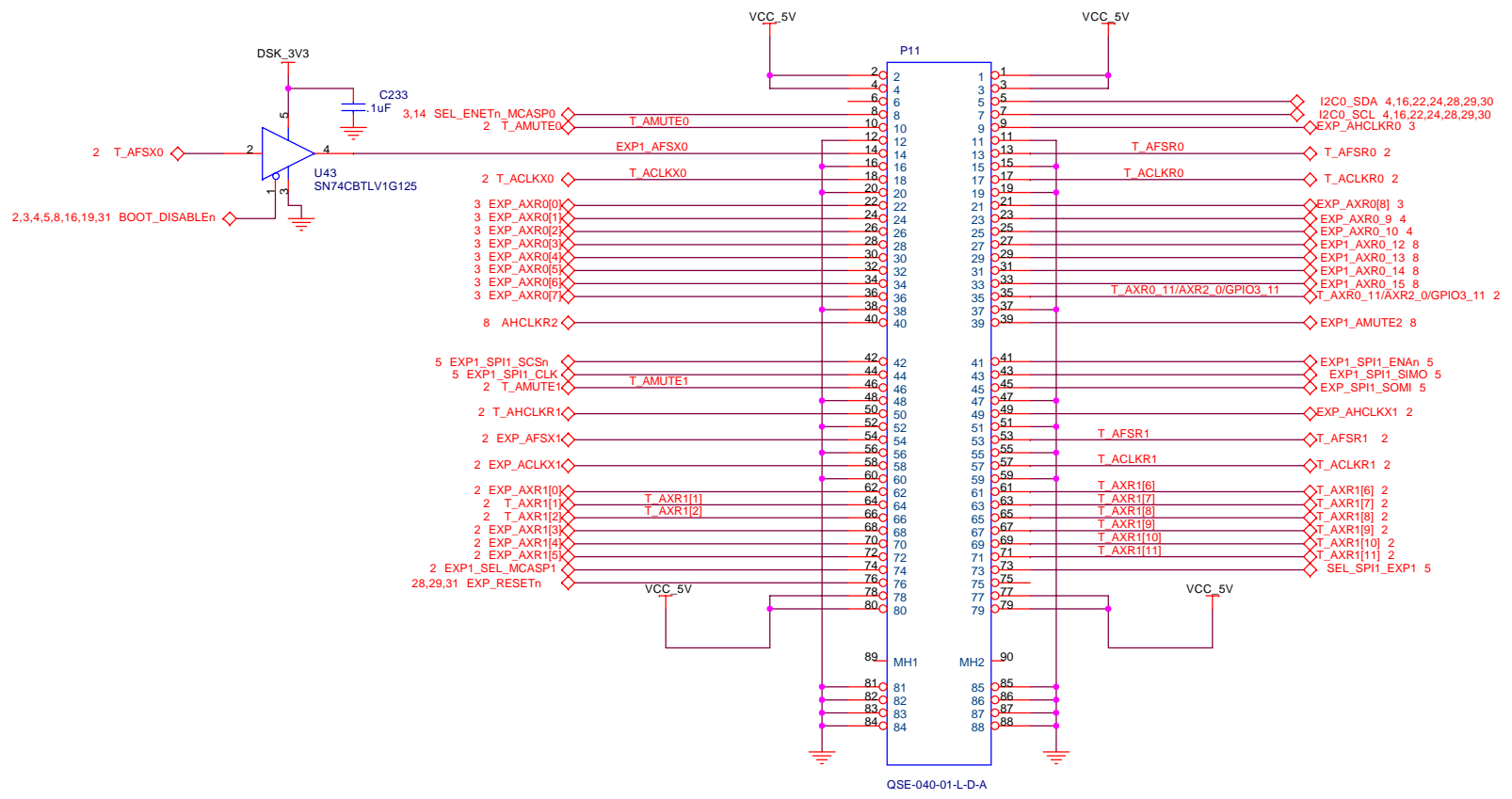


SPECTRUM DIGITAL INCORPORATED			
Title: AM1707 EVM			
Page Contents: KSZ8893MQL ETHERNET POWER			
Size: B	DWG NO	513382-0001	Revision: A
Date:	Wednesday, February 24, 2010	Sheet 25 of	32



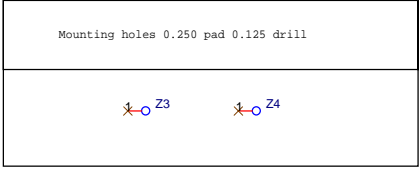
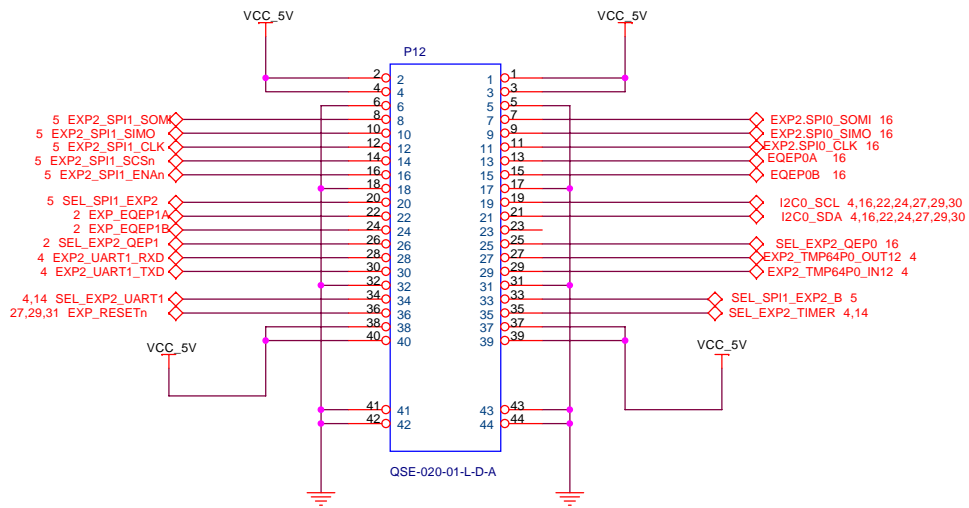
SPECTRUM DIGITAL INCORPORATED			
Title: AM1707 EVM			
Page Contents: KSZ8893MQL ETHERNET PORTS			
Size: B	DWG NO	513382-0001	Revision: A
Date:	Wednesday, February 24, 2010		Sheet 26 of 32

5 4 3 2 1

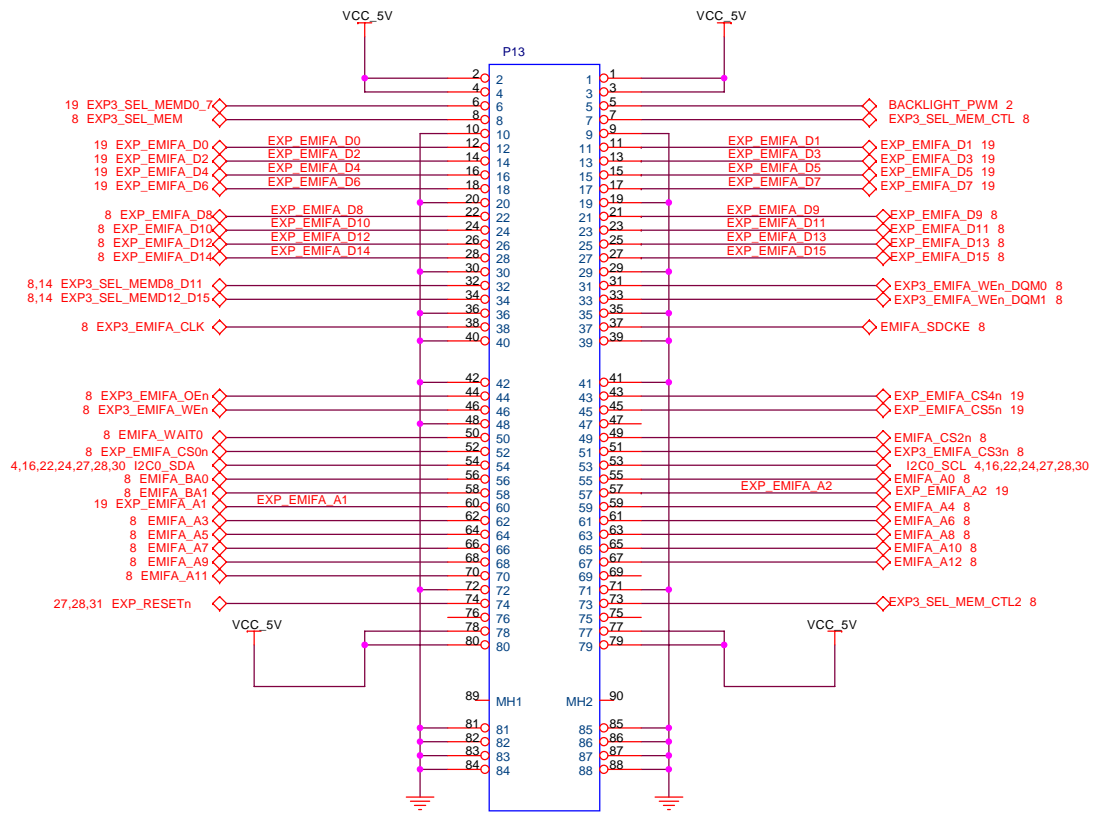


SPECTRUM DIGITAL INCORPORATED			
Title: AM1707 EVM			
Page Contents: AUDIO / EXPANSION COINNECTOR 1			
Size: B	DWG NO	513382-0001	Revision: A
Date:	Wednesday, February 24, 2010	Sheet 27 of	32

5 4 3 2 1



SPECTRUM DIGITAL INCORPORATED			
Title:		AM1707 EVM	
Page Contents: EXPANSION 2			
Size: B	DWG NO	513382-0001	Revision: A
Date:	Wednesday, February 24, 2010	Sheet 28 of	32

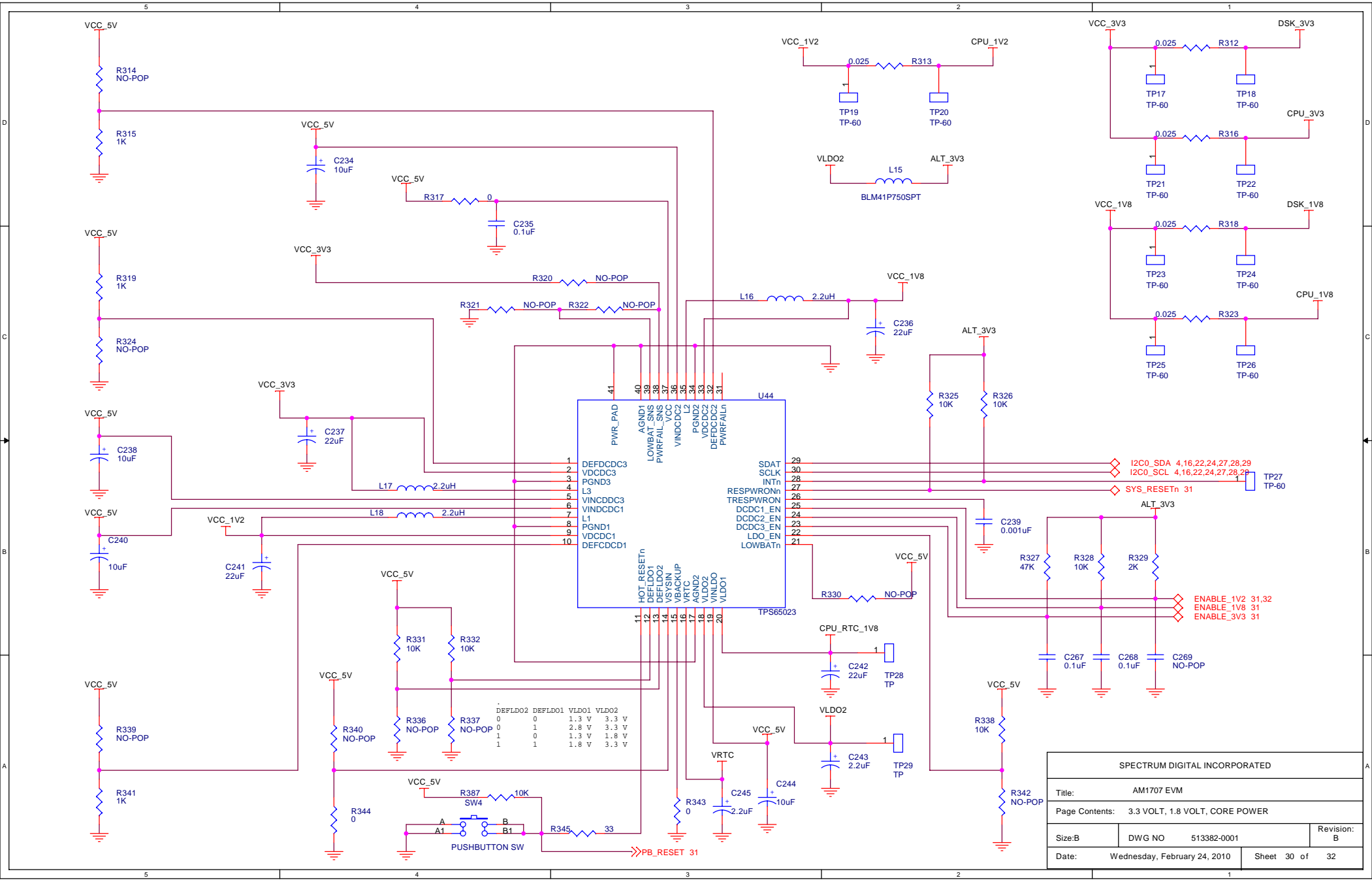


QSE-040-01-L-D-A

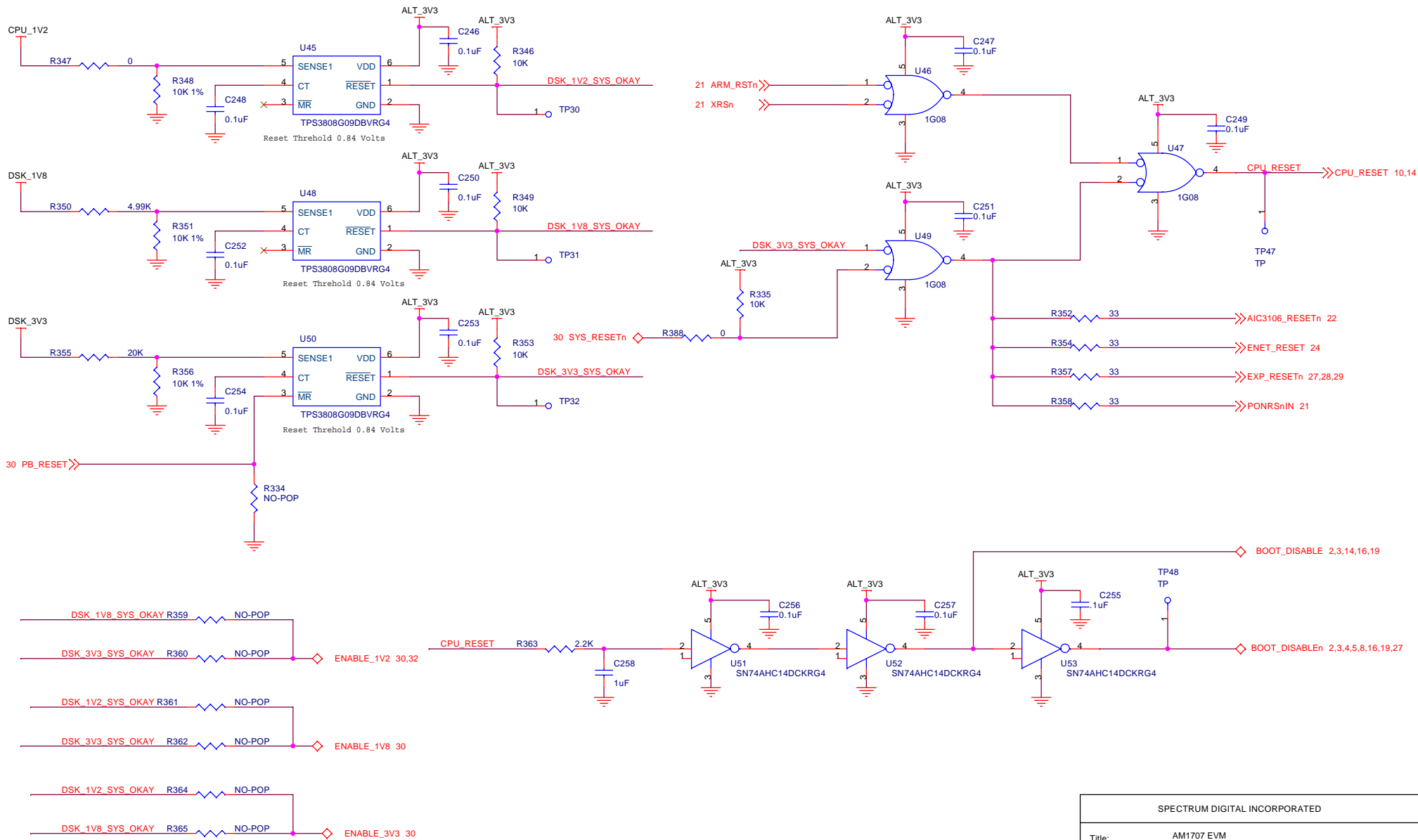
Mounting holes 0.250 pad 0.125 drill

✕ ○ Z5

SPECTRUM DIGITAL INCORPORATED			
Title:		AM1707 EVM	
Page Contents: EXPANSION 3			
Size: B	DWG NO	513382-0001	Revision: B
Date:	Wednesday, February 24, 2010	Sheet 29 of	32

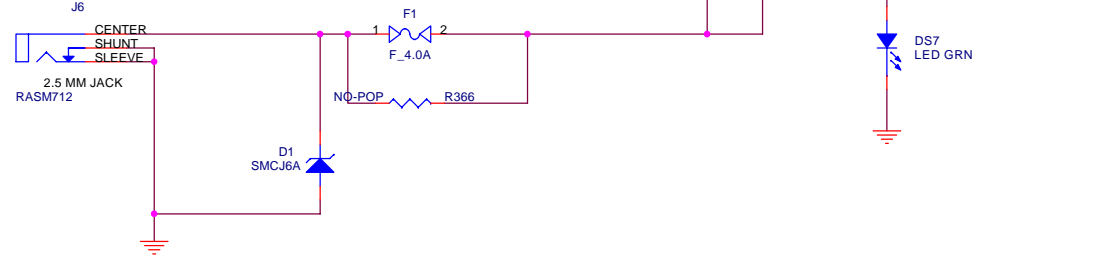


SPECTRUM DIGITAL INCORPORATED			
Title: AM1707 EVM			
Page Contents: 3.3 VOLT, 1.8 VOLT, CORE POWER			
Size: B	DWG NO	513382-0001	Revision: B
Date:	Wednesday, February 24, 2010	Sheet	30 of 32

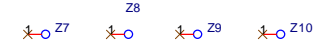


SPECTRUM DIGITAL INCORPORATED			
Title: AM1707 EVM			
Page Contents: POWER IN			
Size: B	DWG NO	513382-0001	Revision: B
Date:	Wednesday, February 24, 2010	Sheet 31 of 32	

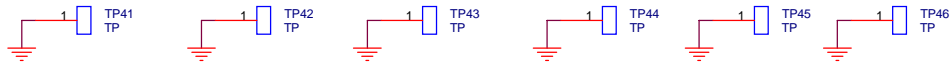
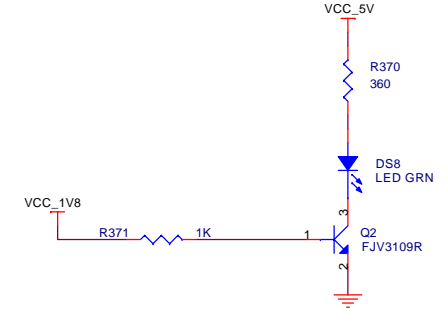
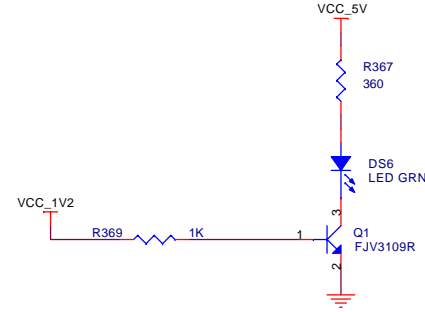
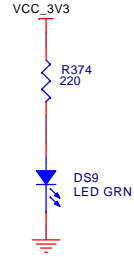
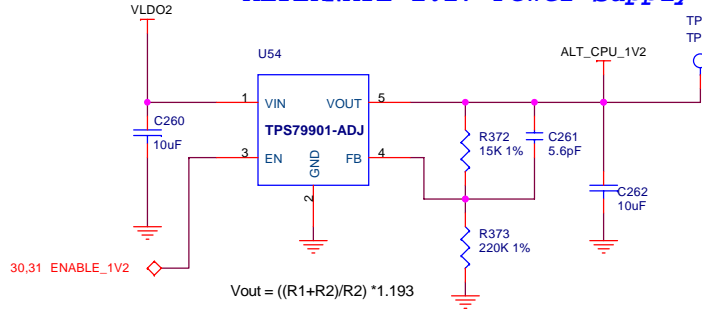
SILKSCREEN:  
5V IN



Mounting holes 0.250 pad 0.125 drill



### ALTERNATE 1.2V Power Supply



SPECTRUM DIGITAL INCORPORATED			
Title: AM1707 EVM			
Page Contents: POWER IN			
Size: B	DWG NO: 513382-0001	Revision: B	
Date: Wednesday, February 24, 2010	Sheet 32 of 32		