

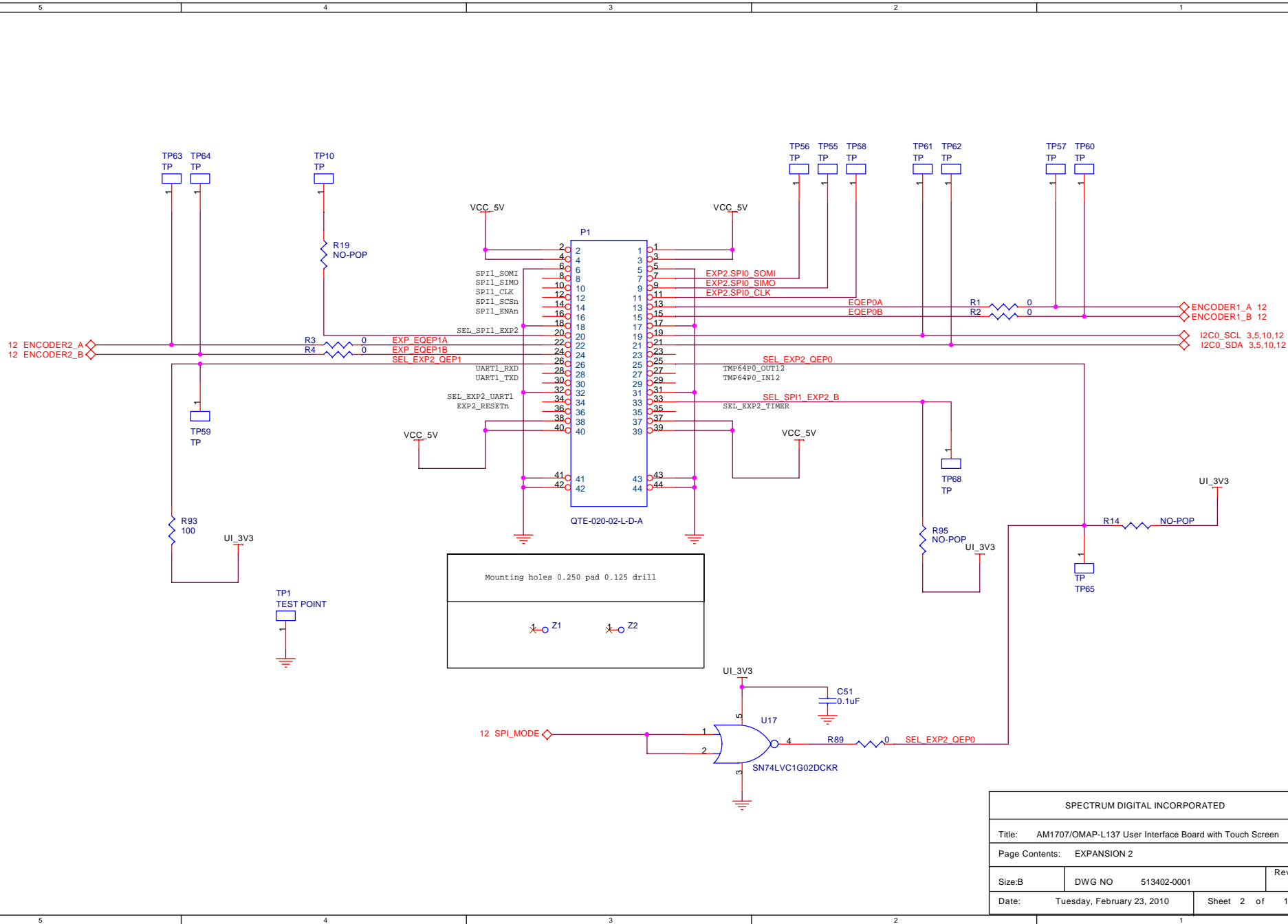
Schematic Contents

- 01 - Title Page
- 02- Serial Expansion
- 03 - EMIF-A Expansion
- 04 - EMIF/LCD Muxing
- 05 - Boot Select Device SW
- 06 - NAND Flash
- 07 - NOR Flash
- 08 - SPI Flash
- 09 - LCD Display
- 10 - Touch Controller
- 11 - Character Display
- 12 - User Switches/Encoders
- 13 - Power

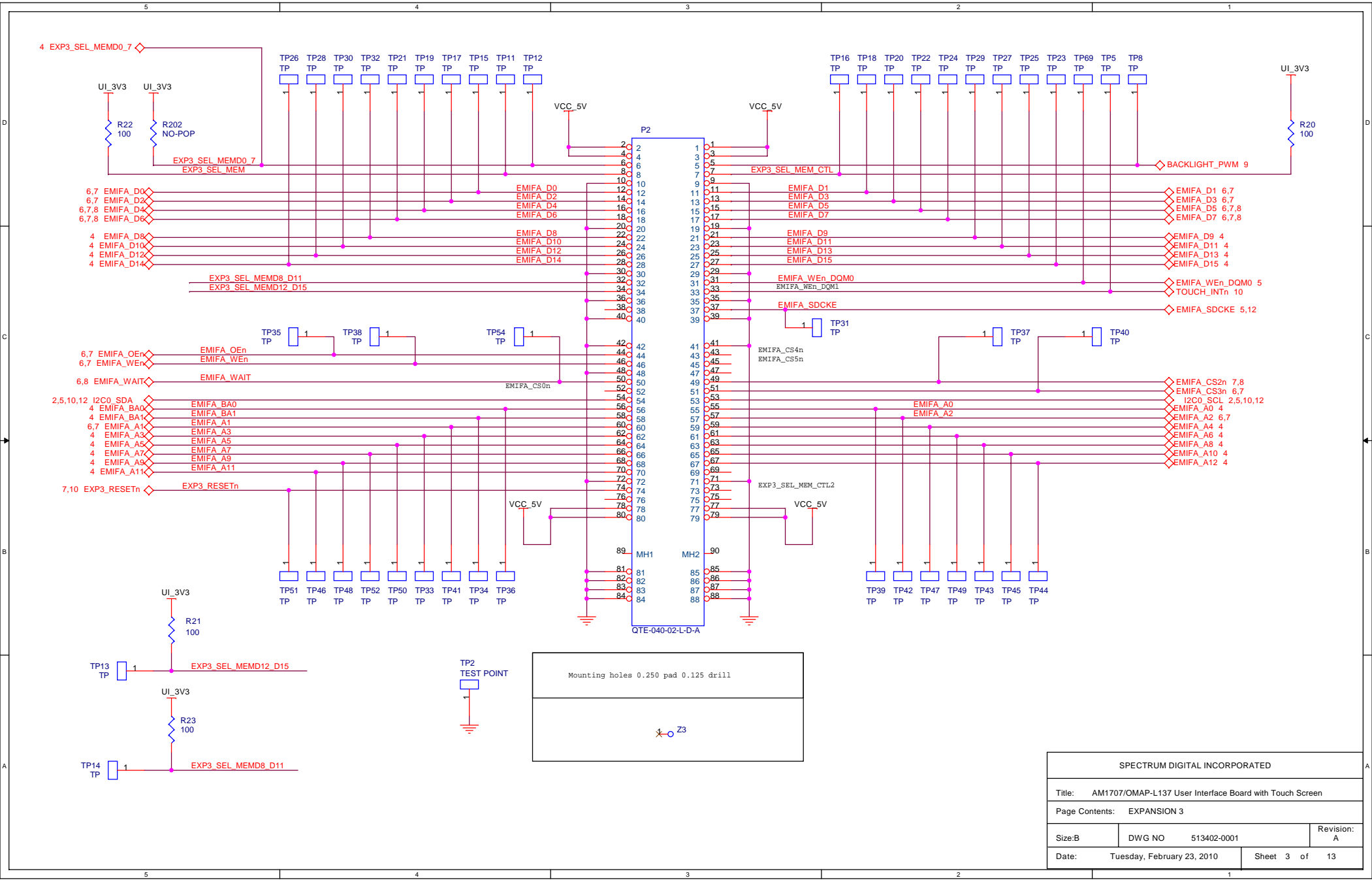
REVISION STATUS OF SHEETS

REV	1	2	3	4	5	6	7	8	9	10	APPLICATION	USED ON	DATE	BY		
														DWN	R.R.P.	02/01/2010
														CHK	T.W.K.	02/01/2010
SH														ENGR	R.R.P.	02/01/2010
REV	A	A	A											ENGR-MGR	R.R.P.	02/01/2010
SH	11	12	13											QA	C.M.D.	02/01/2010
REV	B	A	A	A	A	A	A	A	B	A	NEXT ASSY	USED ON		MFG	R.R.P.	02/01/2010
SH	1	2	3	4	5	6	7	8	9	10	APPLICATION			RLSE	R.R.P.	02/01/2010

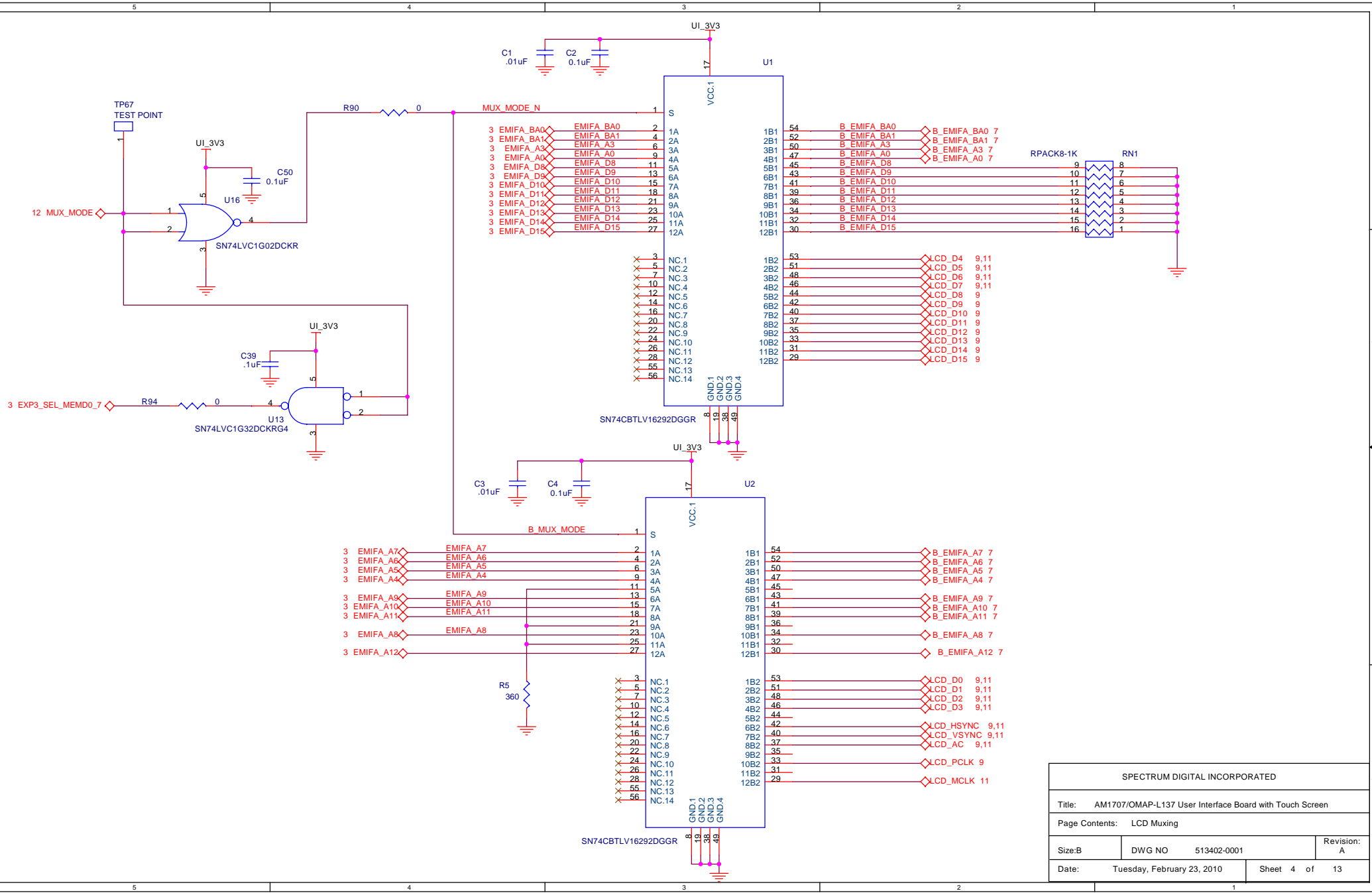
SPECTRUM DIGITAL INCORPORATED		
Title: AM1707/OMAP-L137 User Interface Board with Touch Screen		
Page Contents: TITLE PAGE		
Size: B	DWG NO 513402-0001	Revision: B
Date: Tuesday, February 23, 2010	Sheet 1 of 13	



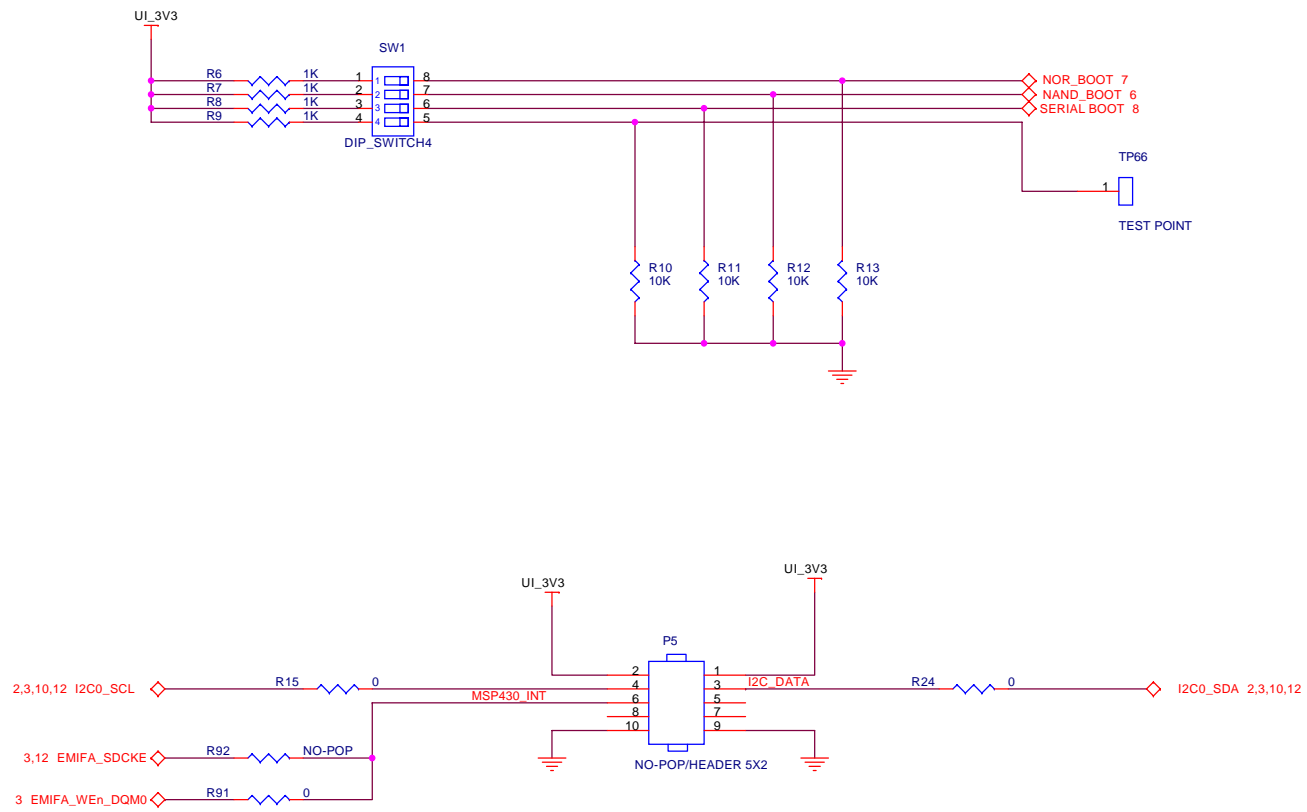
SPECTRUM DIGITAL INCORPORATED			
Title: AM1707/OMAP-L137 User Interface Board with Touch Screen			
Page Contents: EXPANSION 2			
Size: B	DWG NO	513402-0001	Revision: A
Date:	Tuesday, February 23, 2010	Sheet 2 of	13



SPECTRUM DIGITAL INCORPORATED			
Title: AM1707/OMAP-L137 User Interface Board with Touch Screen			
Page Contents: EXPANSION 3			
Size: B	DWG NO	513402-0001	Revision: A
Date:	Tuesday, February 23, 2010	Sheet 3 of	13

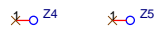


SPECTRUM DIGITAL INCORPORATED			
Title: AM1707/OMAP-L137 User Interface Board with Touch Screen			
Page Contents: LCD Muxing			
Size: B	DWG NO	513402-0001	Revision: A
Date:	Tuesday, February 23, 2010	Sheet 4 of	13

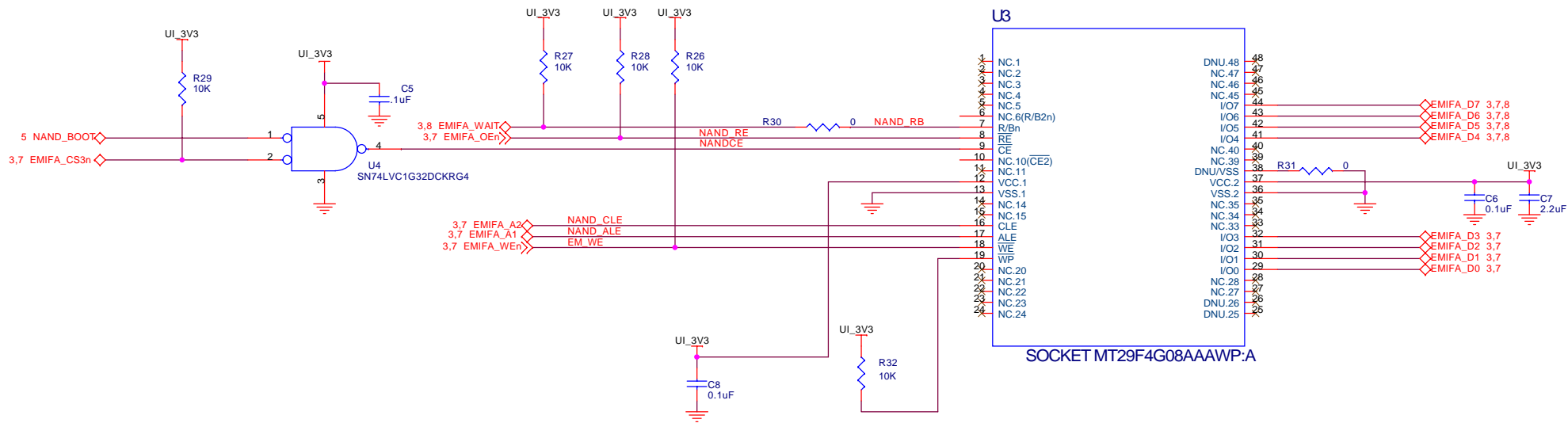


IR REMOTE OPTION

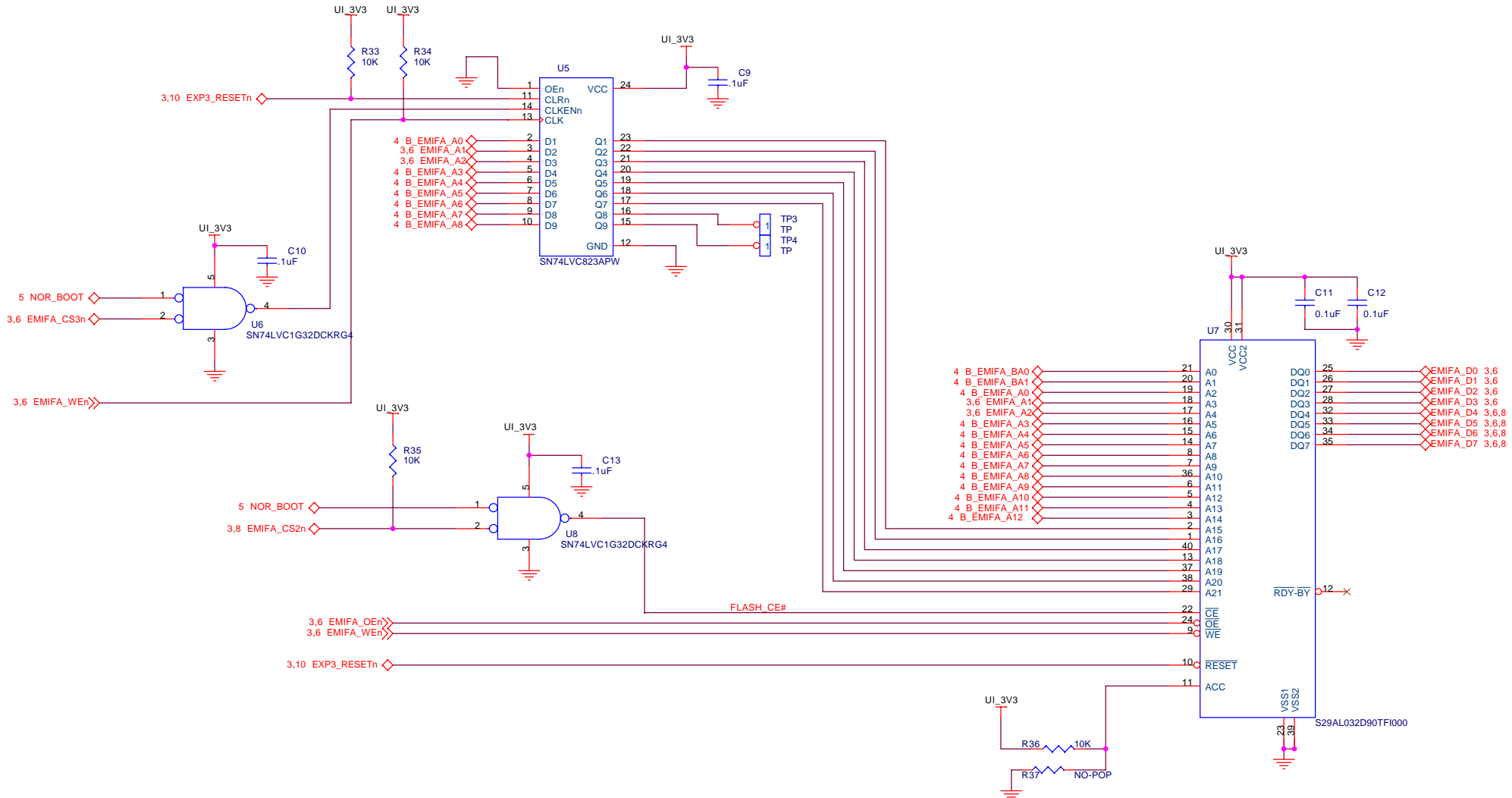
Mounting holes 0.250 pad 0.125 drill



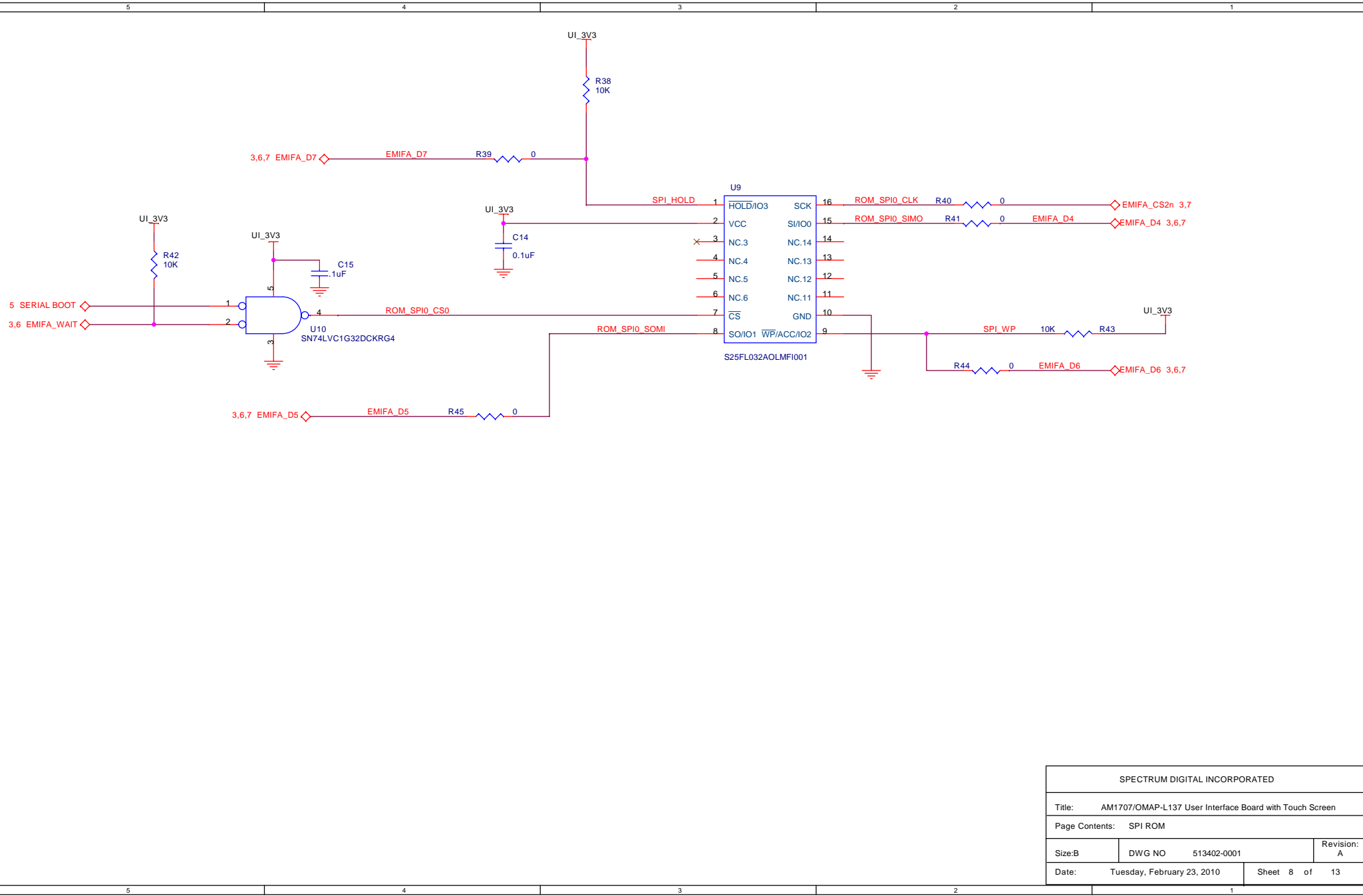
SPECTRUM DIGITAL INCORPORATED			
Title: AM1707/OMAP-L137 User Interface Board with Touch Screen			
Page Contents: SELECT SWITCHES,IR REMOTE CONN			
Size:B	DWG NO	513402-0001	Revision: A
Date:	Tuesday, February 23, 2010	Sheet 5 of	13



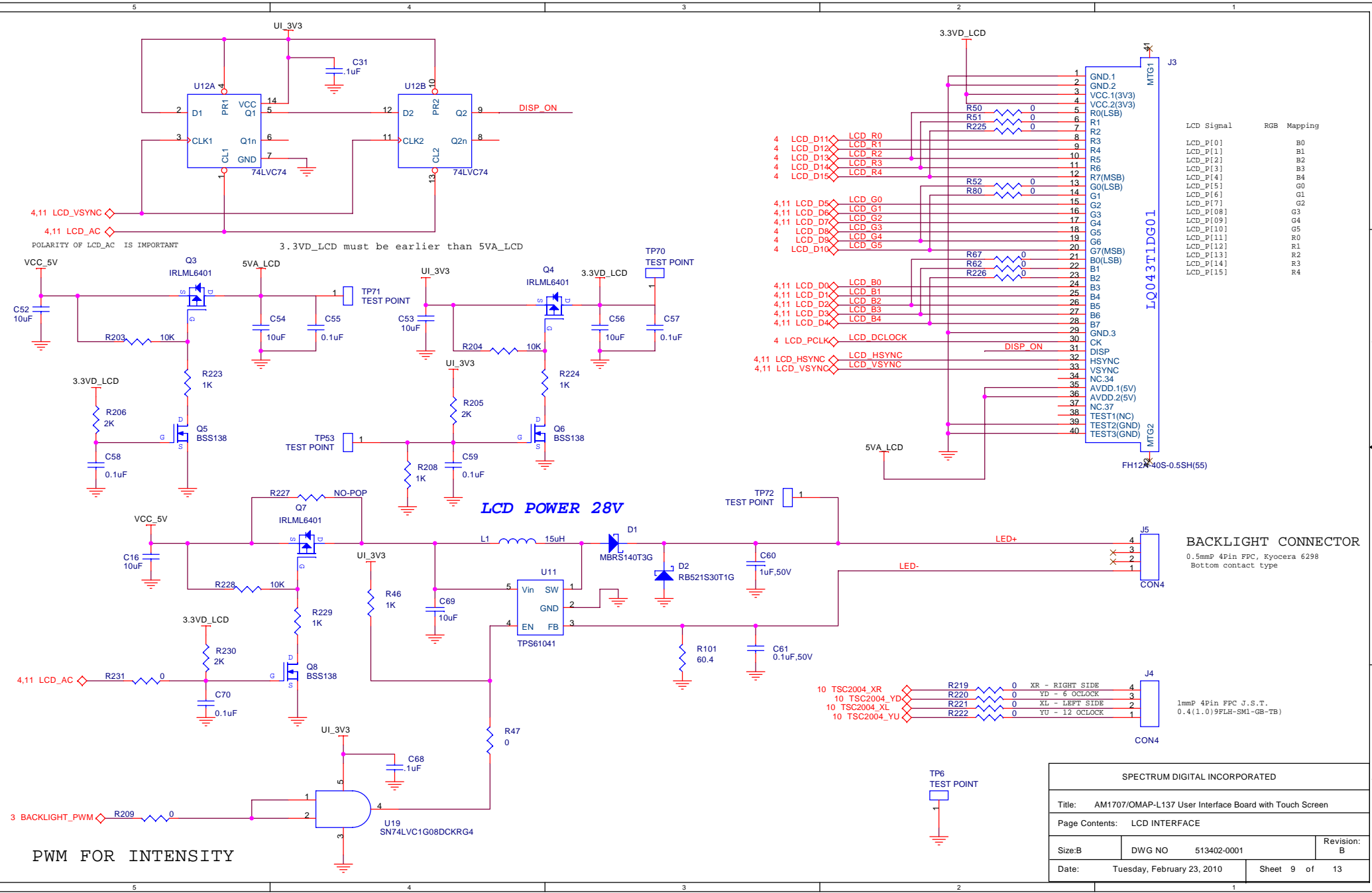
SPECTRUM DIGITAL INCORPORATED			
Title: AM1707/OMAP-L137 User Interface Board with Touch Screen			
Page Contents: NAND FLASH			
Size: B	DWG NO	513402-0001	Revision: A
Date:	Tuesday, February 23, 2010		Sheet 6 of 13



SPECTRUM DIGITAL INCORPORATED			
Title: AM1707/OMAP-L137 User Interface Board with Touch Screen			
Page Contents: FLASH			
Size: B	DWG NO	513402-0001	Revision: A
Date:	Tuesday, February 23, 2010	Sheet 7 of	13



SPECTRUM DIGITAL INCORPORATED			
Title: AM1707/OMAP-L137 User Interface Board with Touch Screen			
Page Contents: SPI ROM			
Size: B	DWG NO	513402-0001	Revision: A
Date:	Tuesday, February 23, 2010	Sheet 8 of	13



4,11 LCD_VSYNC
4,11 LCD_AC

3.3VD_LCD must be earlier than 5VA_LCD

LCD POWER 28V

PWM FOR INTENSITY

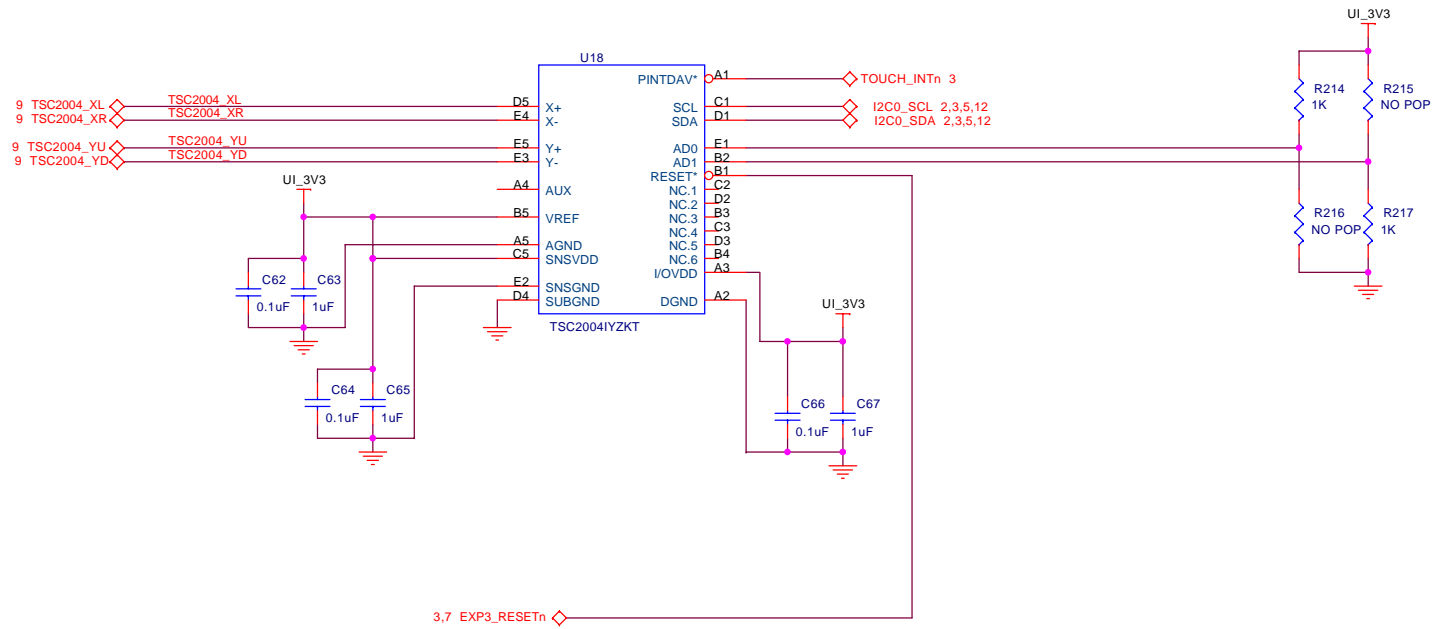
Pin	Signal	Component	Value	Pin	Signal
4	LCD_D11	R50	0	8	LCD_R0
4	LCD_D12	R225	0	9	LCD_R1
4	LCD_D13			10	LCD_R2
4	LCD_D14			11	LCD_R3
4	LCD_D15			12	LCD_R4
4,11	LCD_D5	R52	0	13	LCD_G0
4,11	LCD_D6	R80	0	14	LCD_G1
4,11	LCD_D7			15	LCD_G2
4,11	LCD_D8			16	LCD_G3
4	LCD_D9			17	LCD_G4
4	LCD_D8			18	LCD_G5
4,11	LCD_D10			19	LCD_G6
				20	LCD_G7
				21	LCD_G8
				22	LCD_G9
				23	LCD_G10
				24	LCD_G11
				25	LCD_G12
				26	LCD_G13
				27	LCD_G14
				28	LCD_G15
4	LCD_PCLK			29	LCD_B0
4,11	LCD_HSYNC			30	LCD_B1
4,11	LCD_VSYNC			31	LCD_B2
				32	LCD_B3
				33	LCD_B4
				34	LCD_B5
				35	LCD_B6
				36	LCD_B7
				37	LCD_B8
				38	LCD_B9
				39	LCD_B10
				40	LCD_B11
					LCD_B12
					LCD_B13
					LCD_B14
					LCD_B15

LCD Signal	RGB Mapping
LCD_P[0]	B0
LCD_P[1]	B1
LCD_P[2]	B2
LCD_P[3]	B3
LCD_P[4]	B4
LCD_P[5]	G0
LCD_P[6]	G1
LCD_P[7]	G2
LCD_P[8]	G3
LCD_P[9]	G4
LCD_P[10]	G5
LCD_P[11]	R0
LCD_P[12]	R1
LCD_P[13]	R2
LCD_P[14]	R3
LCD_P[15]	R4

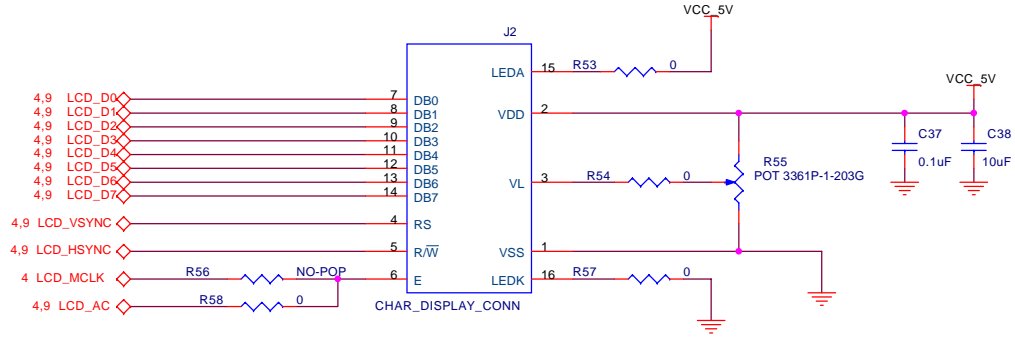
BACKLIGHT CONNECTOR
0.5mmP 4Pin FPC, Kyocera 6298
Bottom contact type

1mmP 4Pin FPC J.S.T.
0.4(1.0)9FLH-SM1-GB-TB)

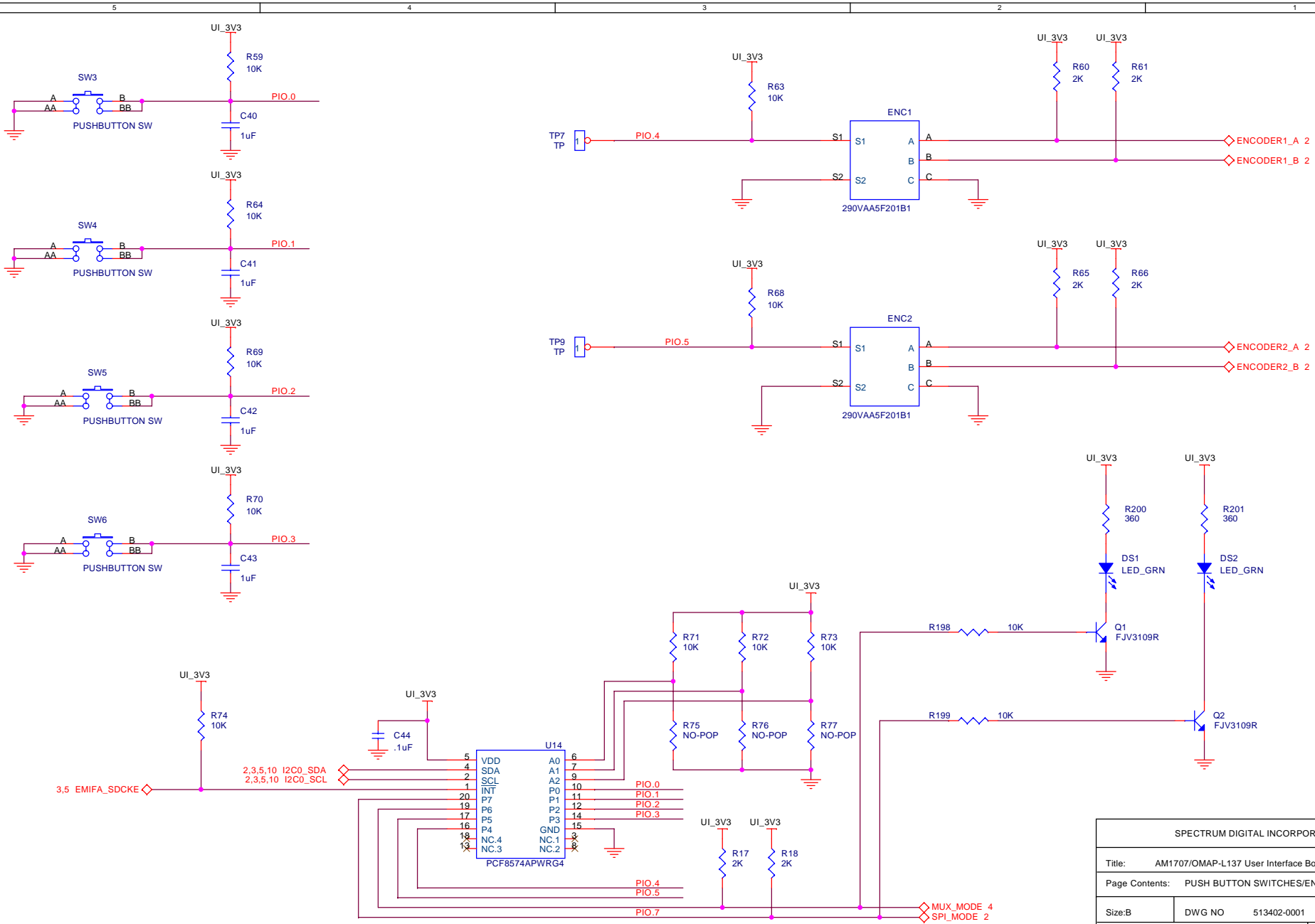
SPECTRUM DIGITAL INCORPORATED			
Title: AM1707/OMAP-L137 User Interface Board with Touch Screen			
Page Contents: LCD INTERFACE			
Size: B	DWG NO	513402-0001	Revision: B
Date:	Tuesday, February 23, 2010	Sheet 9 of 13	



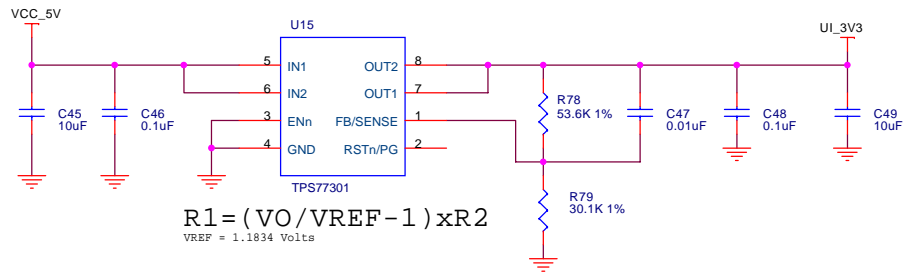
SPECTRUM DIGITAL INCORPORATED			
Title: AM1707/OMAP-L137 User Interface Board with Touch Screen			
Page Contents: ALTERNATE TOUCH INTERFACE			
Size: B	DWG NO	513402-0001	Revision: A
Date:	Tuesday, February 23, 2010	Sheet	10 of 13



SPECTRUM DIGITAL INCORPORATED			
Title: AM1707/OMAP-L137 User Interface Board with Touch Screen			
Page Contents: CHARACTER DISPLAY INTERFACE			
Size: B	DWG NO	513402-0001	Revision: A
Date:	Tuesday, February 23, 2010	Sheet	11 of 13



SPECTRUM DIGITAL INCORPORATED			
Title: AM1707/OMAP-L137 User Interface Board with Touch Screen			
Page Contents: PUSH BUTTON SWITCHES/ENCODER			
Size: B	DWG NO: 513402-0001	Revision: A	
Date: Tuesday, February 23, 2010	Sheet 12 of 13		



$$R1 = (VO / VREF - 1) \times R2$$

$V_{REF} = 1.1834 \text{ Volts}$

SPECTRUM DIGITAL INCORPORATED		
Title: AM1707/OMAP-L137 User Interface Board with Touch Screen		
Page Contents: POWER SUPPLIES		
Size: B	DWG NO: 513402-0001	Revision: A
Date: Tuesday, February 23, 2010	Sheet 13 of 13	