

Spectrum Digital Incorporated

April 2, 2009

Change

Assembly 510840-0001

Revision: C to D

No Change:

PWB Revision C

Schematic Revision C

Product Name: DM36X EVM

Affects following schematic pages:

SHEET10

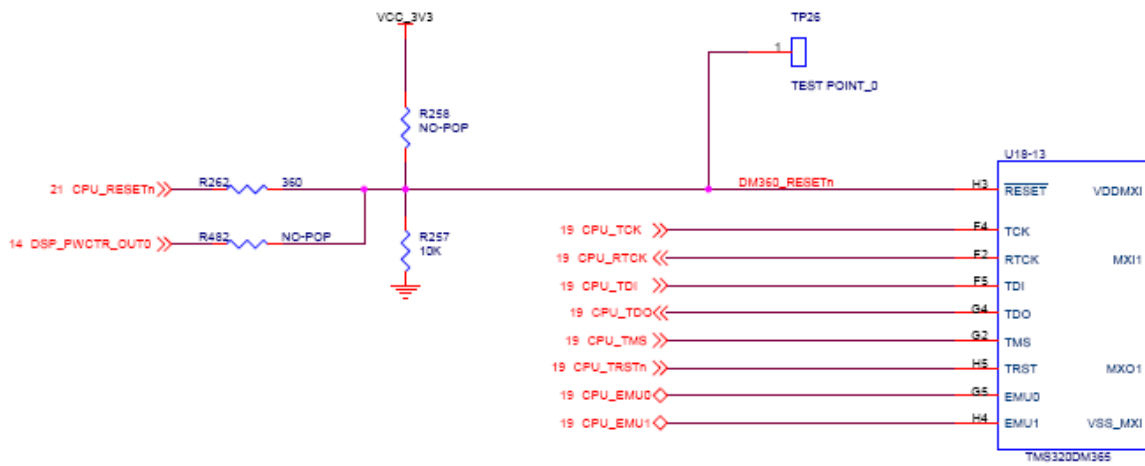
SHEET14

SHEET17

SHEET 10

Populate R257 (0402 size) with 10K value resistor.
This removes start up glitch on Reset while CPLD is initializing.
Change provides no functional difference.

Revision D



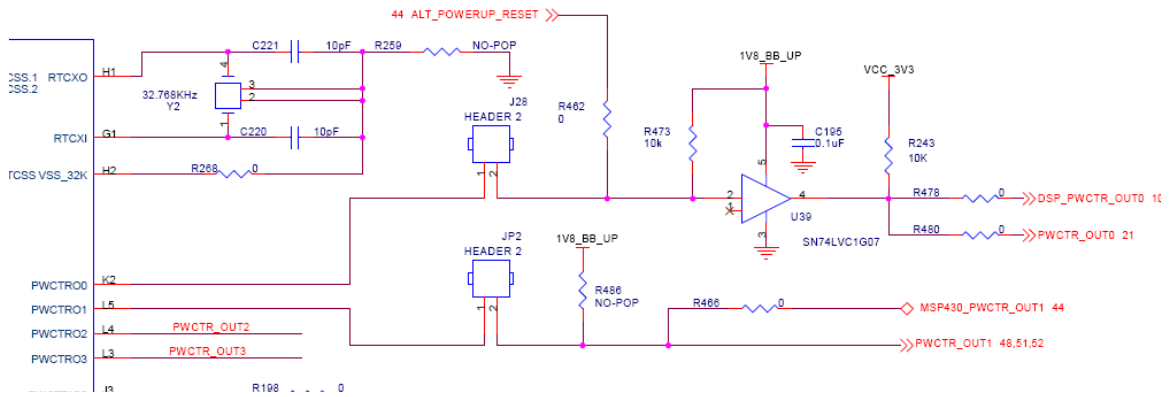
SHEET 14

Remove R486

R486 backfeeds voltage from MSP430_PWCTR_OUT node into 1V8_BB_UP.

This causes 1V8_BB_UP domain to measure higher than 1.8 Volts

Revision D



SHEET 17

Change R171 (0402 size) from 10K to 1K.

Change increases slew rate on ARM_RSTn Signal.

Change provides no functional difference only improves signal quality

