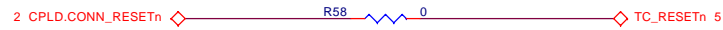
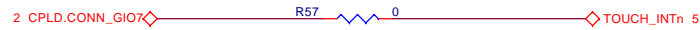
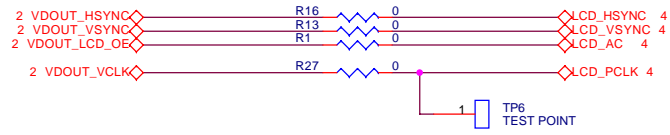
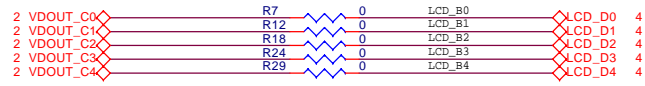
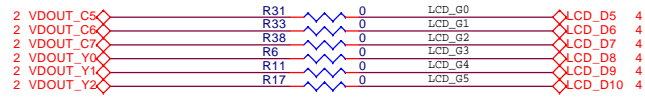
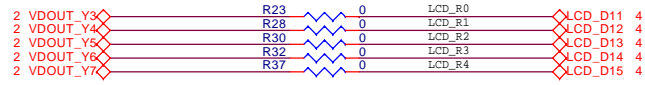
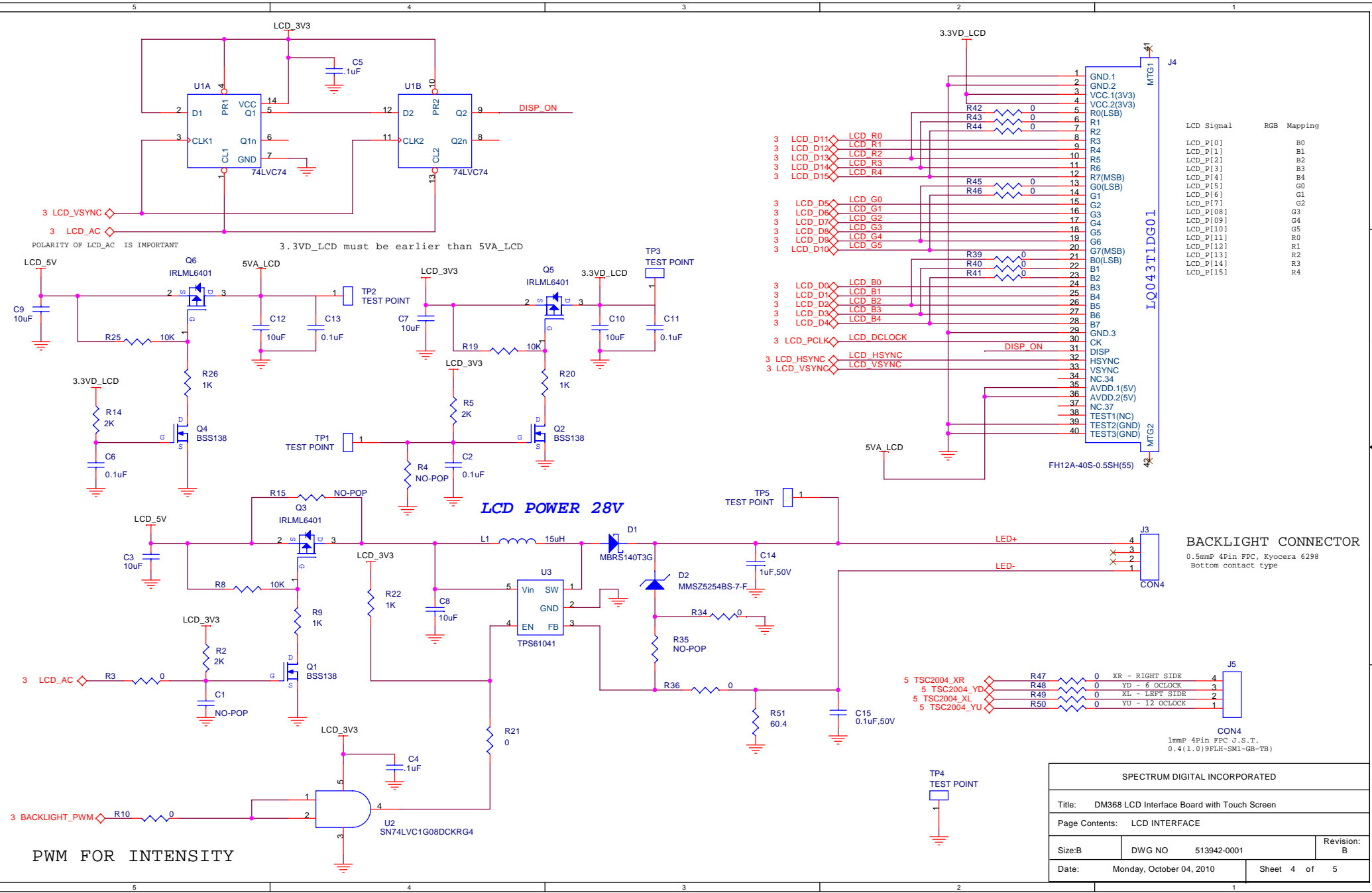


SPECTRUM DIGITAL INCORPORATED			
Title: DM368 LCD Interface Board with Touch Screen			
Page Contents: DM368 EXPANSION CONNECTORS			
Size: B	DWG NO: 513942-0001	Revision: B	
Date: Wednesday, September 22, 2010	Sheet 2 of 5		



SPECTRUM DIGITAL INCORPORATED			
Title: DM368 LCD Interface Board with Touch Screen			
Page Contents: PIN MAPPING			
Size: B	DWG NO	513942-0001	Revision: A
Date:	Thursday, September 23, 2010	Sheet 3 of	5



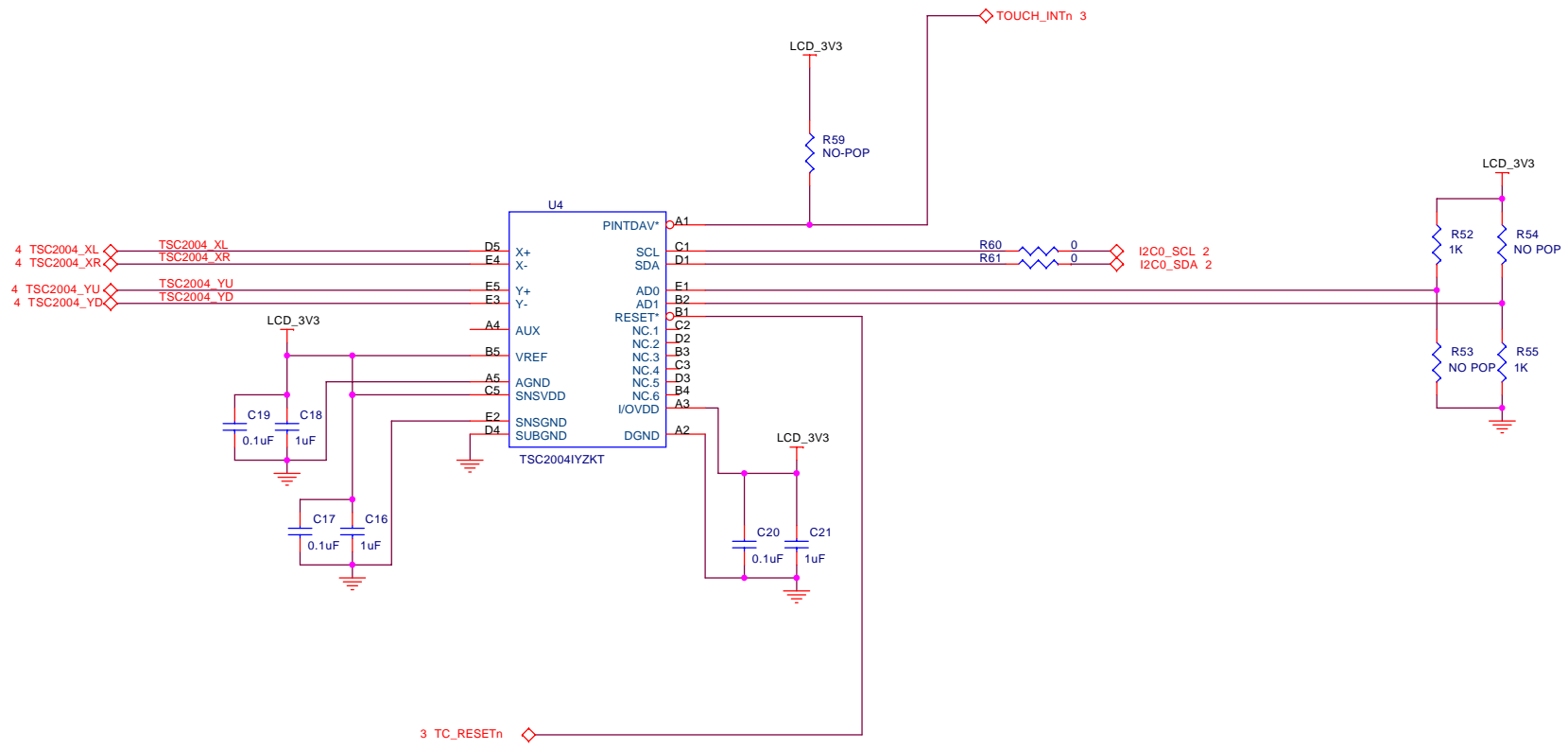
LCD Signal	RGB Mapping
LCD_P[0]	B0
LCD_P[1]	B1
LCD_P[2]	B2
LCD_P[3]	B3
LCD_P[4]	B4
LCD_P[5]	G0
LCD_P[6]	G1
LCD_P[7]	G2
LCD_P[8]	G3
LCD_P[9]	G4
LCD_P[10]	G5
LCD_P[11]	R0
LCD_P[12]	R1
LCD_P[13]	R2
LCD_P[14]	R3
LCD_P[15]	R4

BACKLIGHT CONNECTOR
 0.5mmP 4Pin FPC, Kyocera 6298
 Bottom contact type

SPECTRUM DIGITAL INCORPORATED			
Title: DM368 LCD Interface Board with Touch Screen			
Page Contents: LCD INTERFACE			
Size: B	DWG NO: 513942-0001	Revision: B	
Date: Monday, October 04, 2010	Sheet 4 of 5		

PWM FOR INTENSITY

LCD POWER 28V



SPECTRUM DIGITAL INCORPORATED			
Title: DM368 LCD Interface Board with Touch Screen			
Page Contents: TOUCH INTERFACE			
Size: B	DWG NO	513942-0001	Revision: A
Date:	Wednesday, September 22, 2010		Sheet 5 of 5