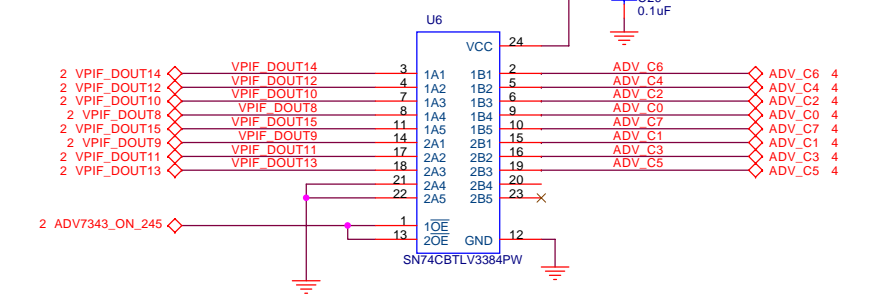
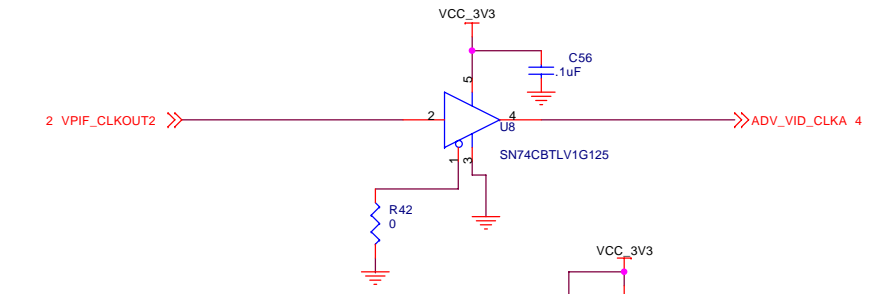
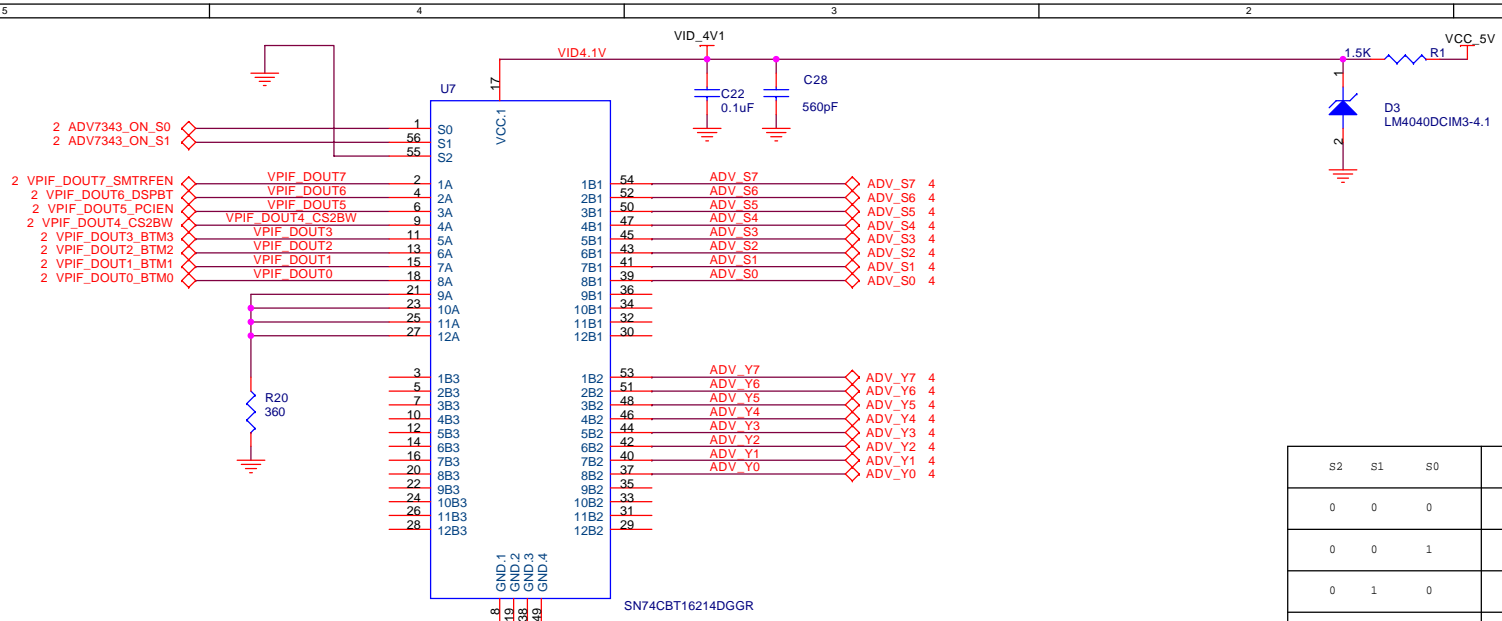
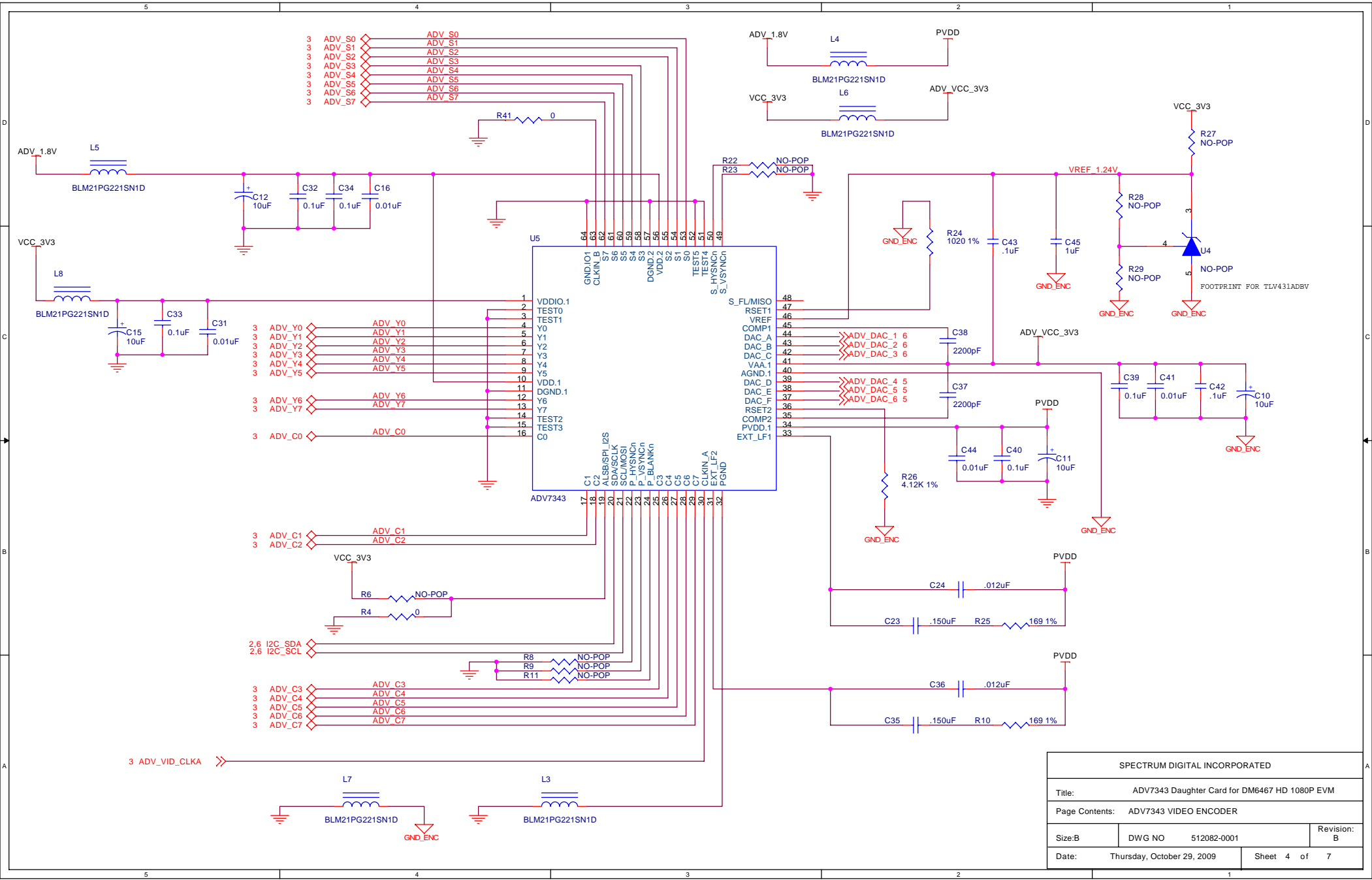


SPECTRUM DIGITAL INCORPORATED			
Title: ADV7343 Daughter Card for DM6467 HD 1080P EVM			
Page Contents: VIDEO EXPANSION CONNECTORS			
Size: B	DWG NO	512082-0001	Revision: B
Date:	Thursday, October 29, 2009		Sheet 2 of 7

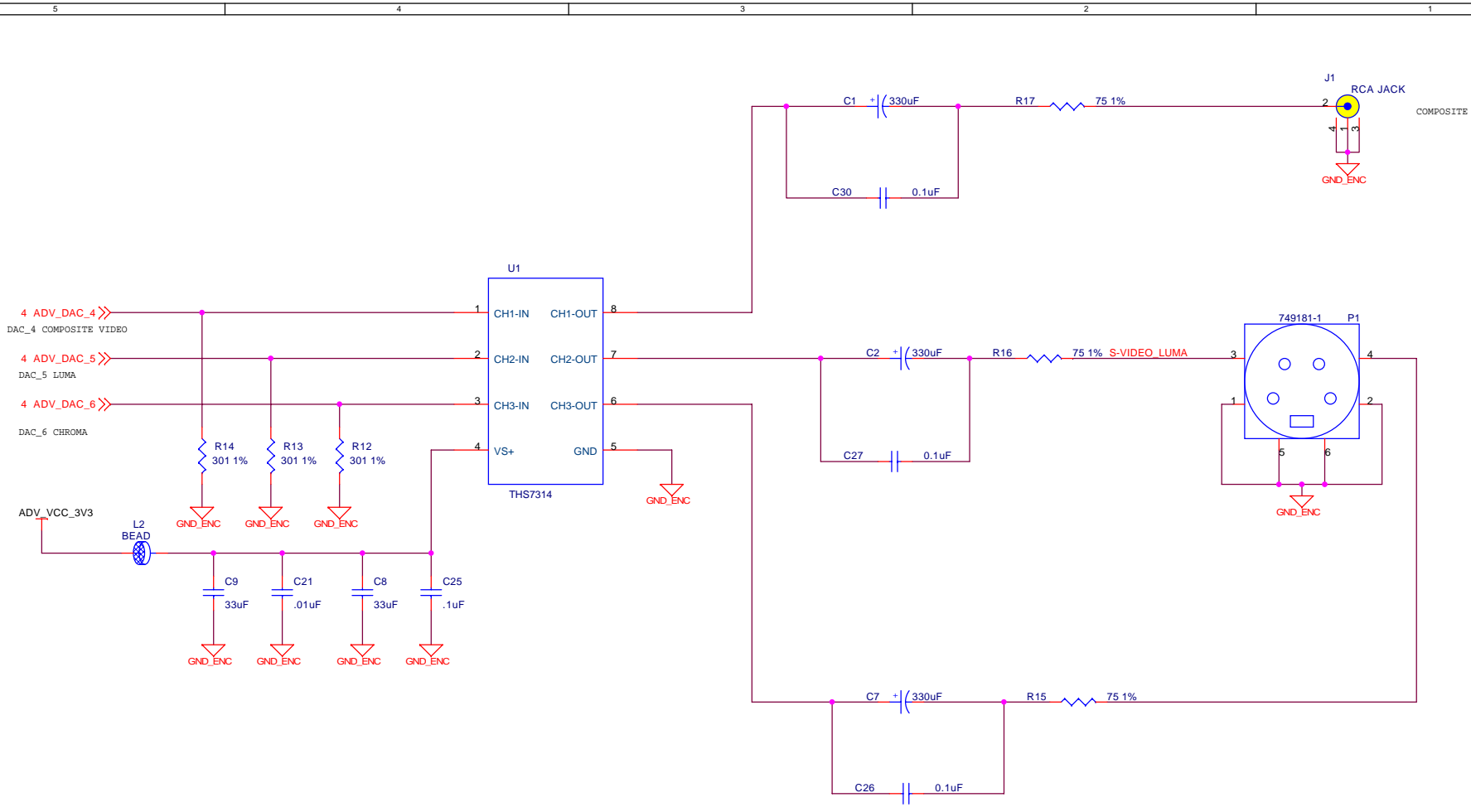


S2	S1	S0	A
0	0	0	Z
0	0	1	B1
0	1	0	B2
0	1	1	Z
1	0	0	Z
1	0	1	B3
1	1	0	B2
1	1	1	B1

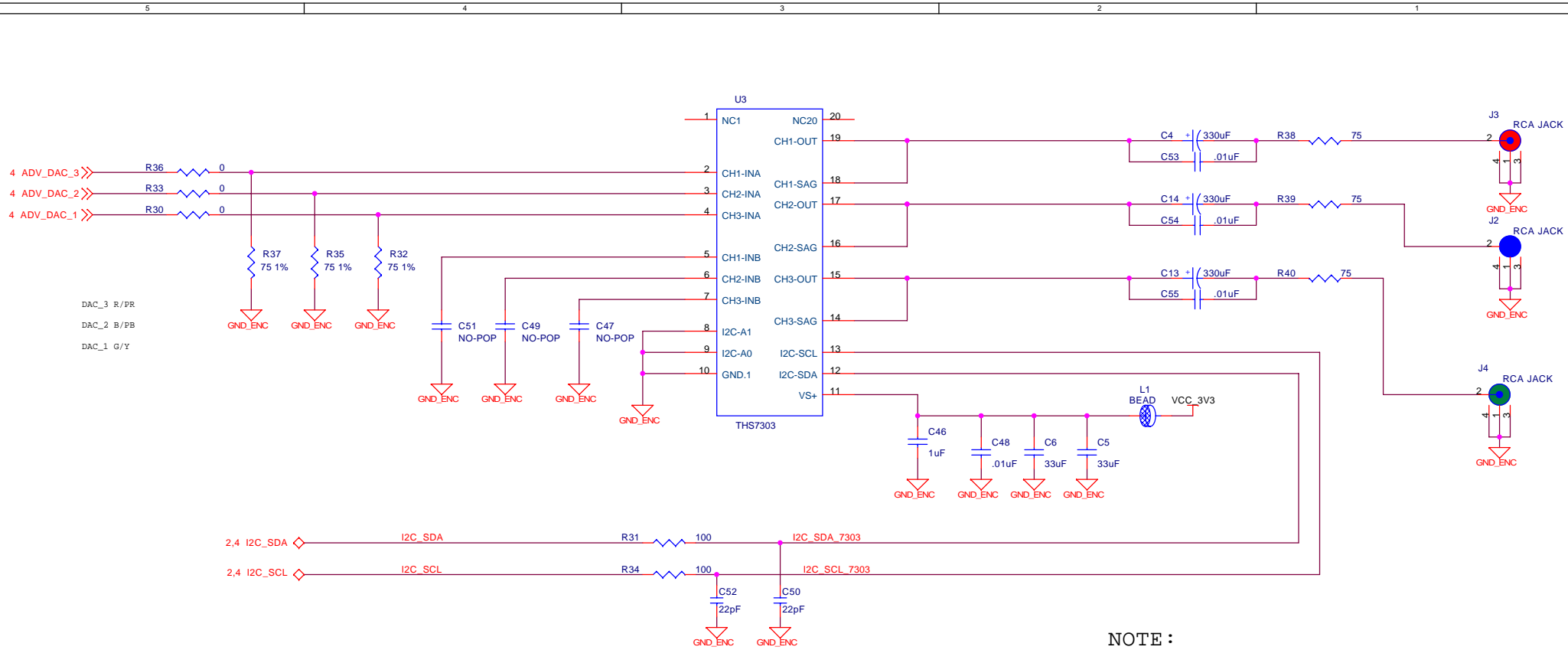
SPECTRUM DIGITAL INCORPORATED			
Title: ADV7343 Daughter Card for DM6467 HD 1080P EVM			
Page Contents: VIDEO OUTPUT MUXES			
Size: B	DWG NO	512082-0001	Revision: B
Date:	Thursday, October 29, 2009	Sheet 3 of 7	



SPECTRUM DIGITAL INCORPORATED			
Title: ADV7343 Daughter Card for DM6467 HD 1080P EVM			
Page Contents: ADV7343 VIDEO ENCODER			
Size: B	DWG NO	512082-0001	Revision: B
Date:	Thursday, October 29, 2009	Sheet 4 of 7	

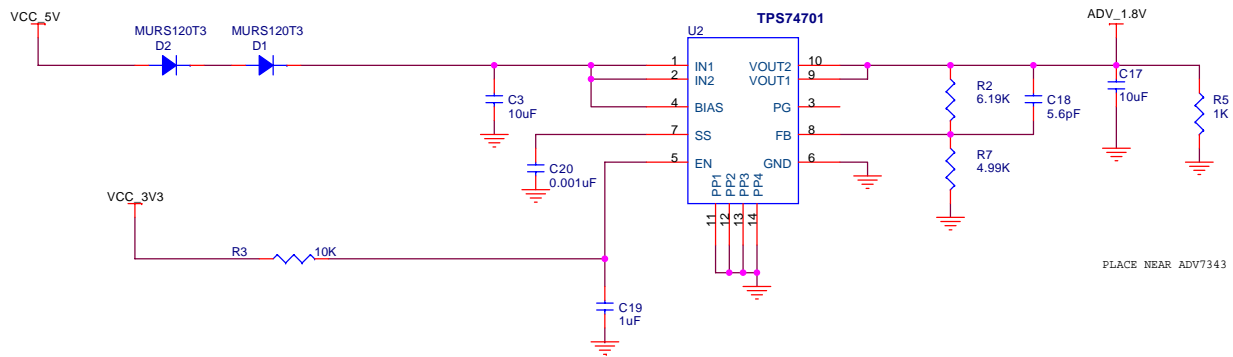


SPECTRUM DIGITAL INCORPORATED			
Title: ADV7343 Daughter Card for DM6467 HD 1080P EVM			
Page Contents: COMPOSITE/S-VIDEO OUTPUT			
Size: B	DWG NO	512082-0001	Revision: A
Date:	Thursday, October 29, 2009		Sheet 5 of 7



NOTE :
 ORDER IS RED,BLUE,GREEN ON BULKHEAD

SPECTRUM DIGITAL INCORPORATED			
Title: ADV7343 Daughter Card for DM6467 HD 1080P EVM			
Page Contents: VIDEO OUTPUT			
Size: B	DWG NO	512082-0001	Revision: B
Date:	Thursday, October 29, 2009		Sheet 6 of 7



SPECTRUM DIGITAL INCORPORATED			
Title: ADV7343 Daughter Card for DM6467 HD 1080P EVM			
Page Contents: ADV7343 CORE POWER			
Size: B	DWG NO	512082-0001	Revision: A
Date:	Tuesday, October 27, 2009	Sheet	7 of 7