

- NOTES, UNLESS OTHERWISE SPECIFIED:
1. RESISTANCE VALUES IN OHMS.
 2. CAPACITANCE VALUES IN MICROFARADS.
 3. LAST REFERENCE DESIGNATORS :
 4. ALL 0.1 uF AND 0.01uF CAPACITORS ARE DECOUPLING CAPS UNLESS OTHERWISE NOTED. THEY ARE SHOWN ON THE PAGE WITH THE INTEGRATED CIRCUITS THEY SHOULD BE PLACED NEAR.

REV	DESCRIPTION	DATE	APPROVED
A	Initial schematic for layout	04/30/07	RRP
B	Changed ADV7343 output drive to reduce power	04/30/07	RRP

SCHMATIC CONTENTS

- SHEET01 - TITLE
- SHEET02 - VIDEO OUTPUT MUXING
- SHEET03 - ADV7343
- SHEET04 - COMPOSITE/S-VIDEO BUFFERING
- SHEET05- COMPONENT VIDEO BUFFERING
- SHEET06 - VIDEO DAUGHTER CARD CONN
- SHEET07 - ADV7343 CORE POWER

I2C ADDRESS MAP

0x2A	ADV7343
0x2C	THS7303 - OUTPUT

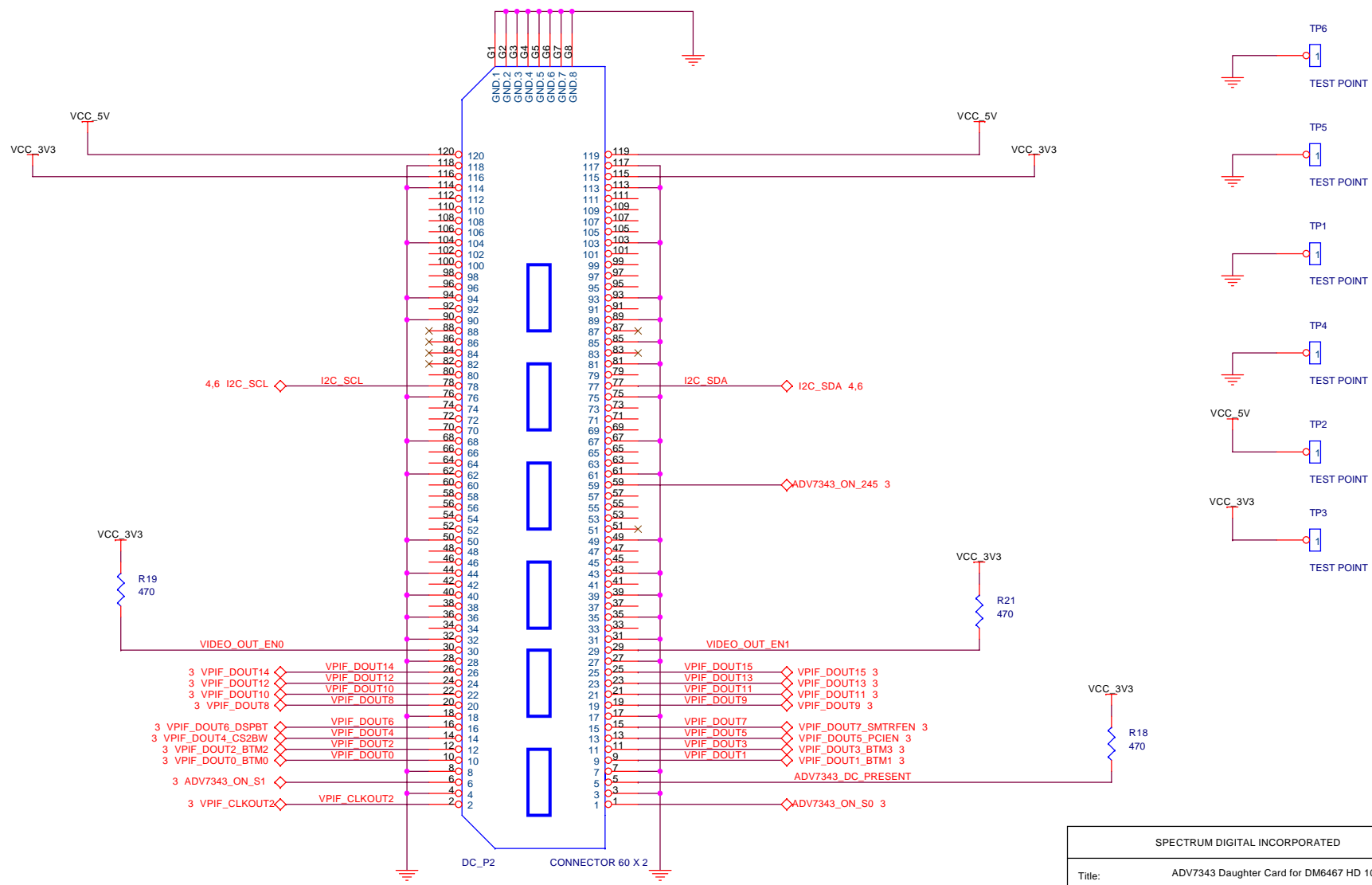
REVISION STATUS OF SHEETS

REV											
SH											
REV											
SH											
REV											
SH											
REV											
SH											
REV	B	B	B	B	A	A	A				
SH	1	2	3	4	5	6	7				

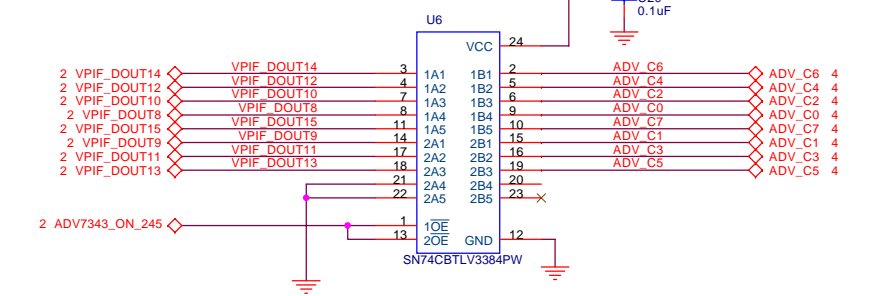
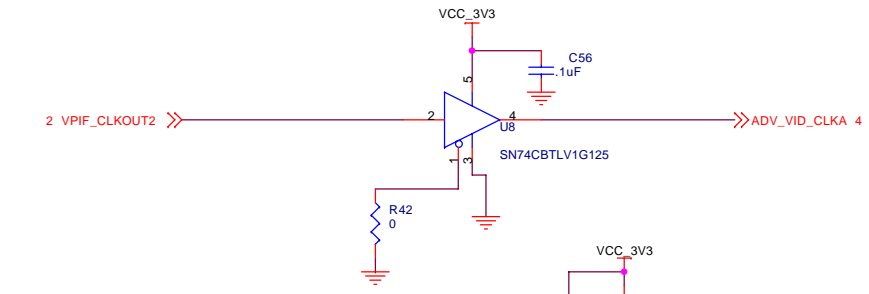
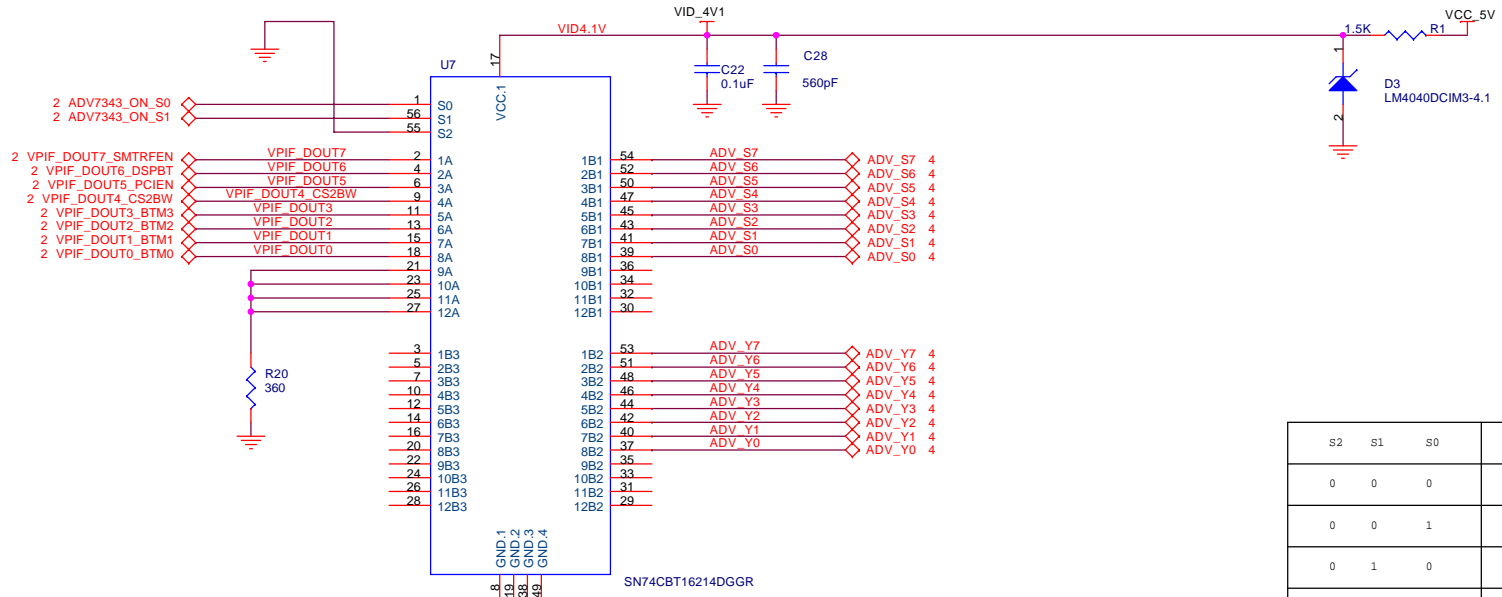
							DWN	R.R.P.	01/15/2009	DATE
							CHK	T.W.K.	01/15/2009	DATE
							ENGR	R.R.P.	01/15/2009	DATE
							ENGR-MGR	R.R.P.	01/15/2009	DATE
							QA	C.M.D.	01/15/2009	DATE
							MFG	R.R.P.	01/15/2009	DATE
							RLSE	R.R.P.	01/15/2009	DATE

NEXT ASSY USED ON APPLICATION

SPECTRUM DIGITAL INCORPORATED			
Title: ADV7343 Daughter Card for DM6467 HD 1080P EVM			
Page Contents: TITLE SHEET			
Size: B	DWG NO	512082-0001	Revision: B
Date:	Thursday, October 29, 2009		Sheet 1 of 7

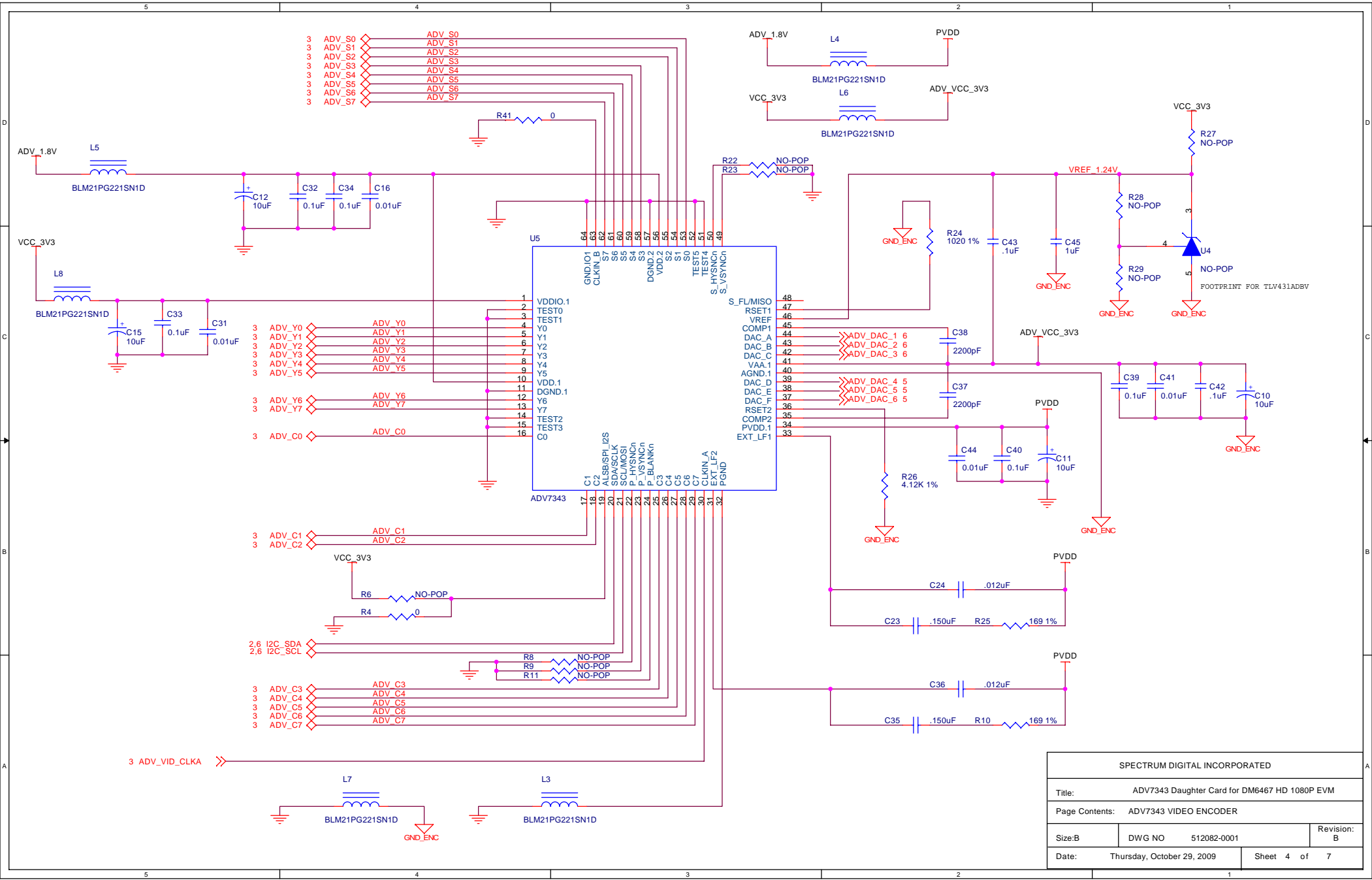


SPECTRUM DIGITAL INCORPORATED			
Title: ADV7343 Daughter Card for DM6467 HD 1080P EVM			
Page Contents: VIDEO EXPANSION CONNECTORS			
Size: B	DWG NO	512082-0001	Revision: B
Date:	Thursday, October 29, 2009		Sheet 2 of 7

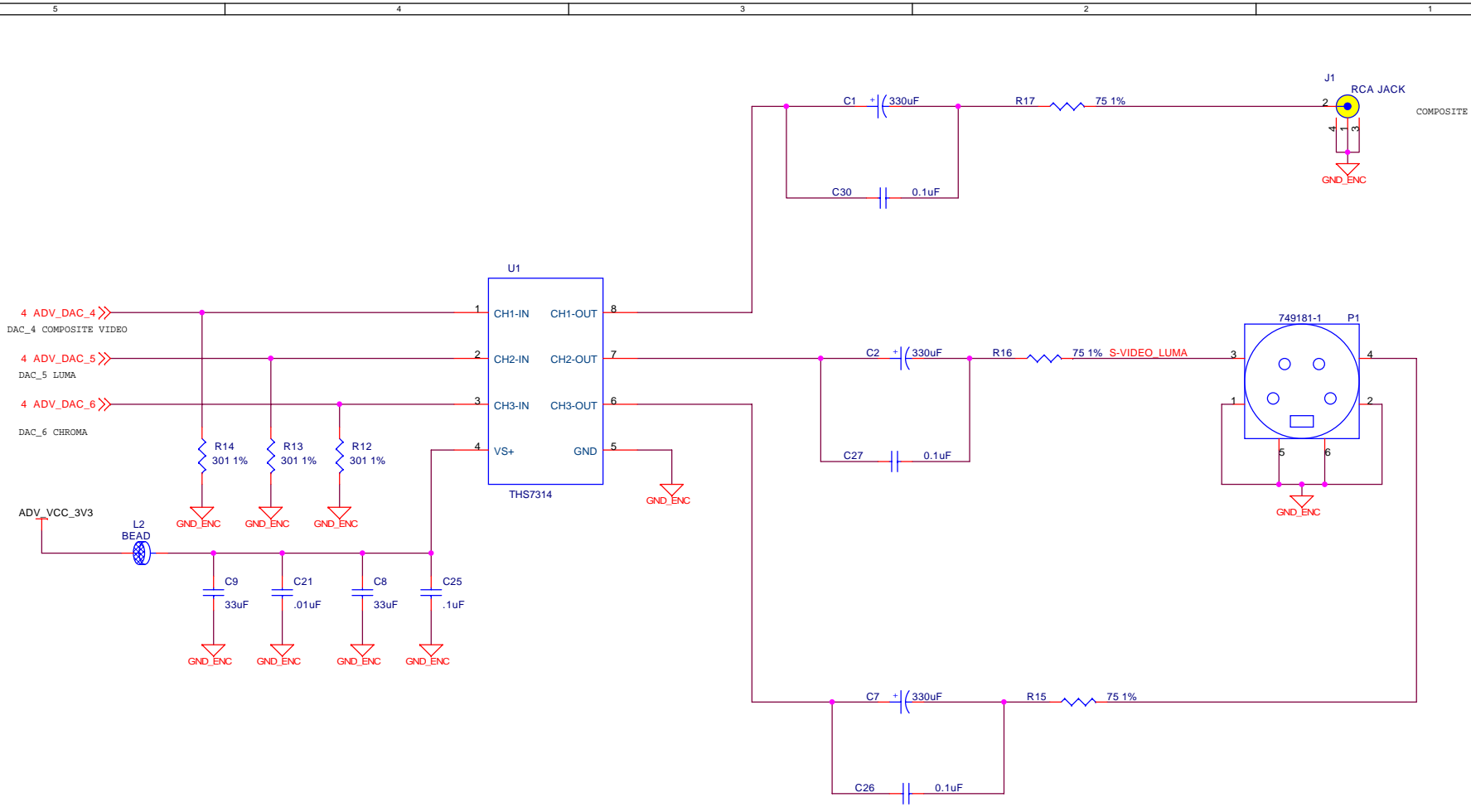


S2	S1	S0	A
0	0	0	Z
0	0	1	B1
0	1	0	B2
0	1	1	Z
1	0	0	Z
1	0	1	B3
1	1	0	B2
1	1	1	B1

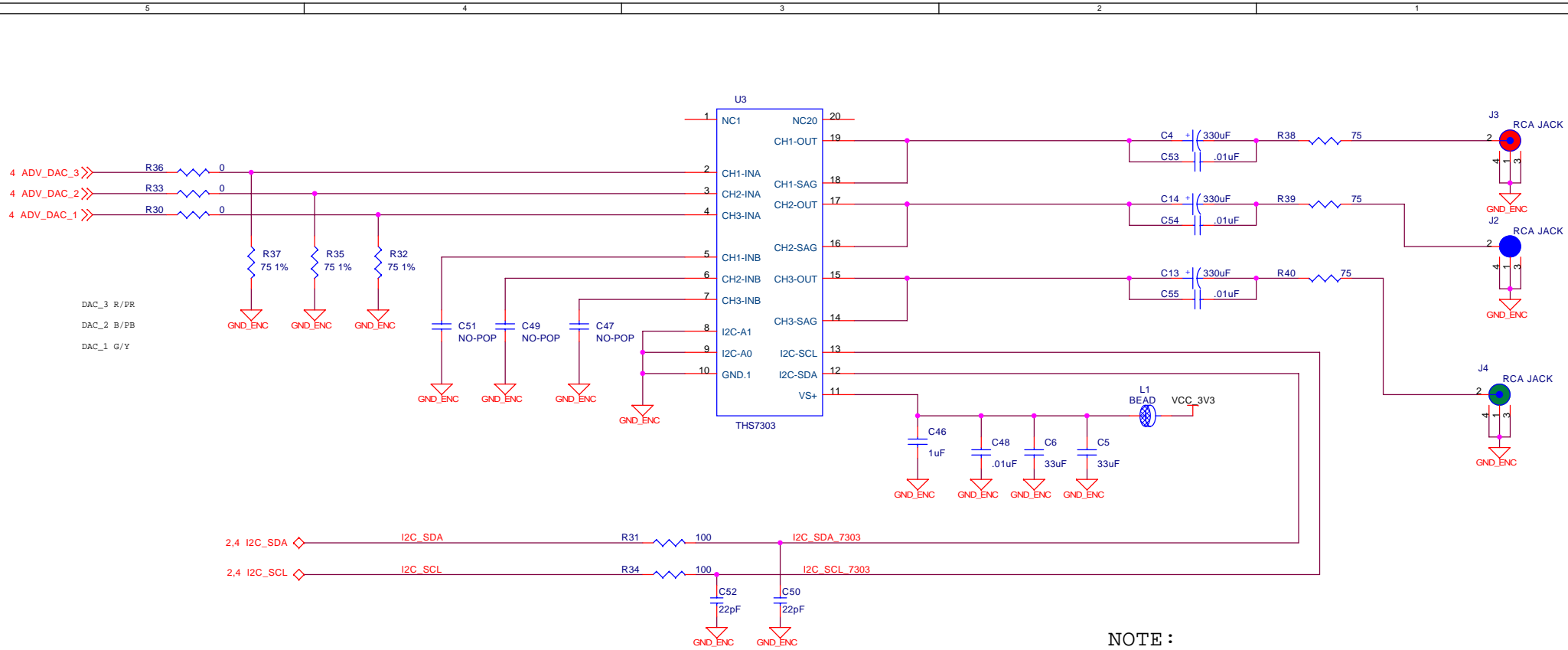
SPECTRUM DIGITAL INCORPORATED			
Title: ADV7343 Daughter Card for DM6467 HD 1080P EVM			
Page Contents: VIDEO OUTPUT MUXES			
Size: B	DWG NO	512082-0001	Revision: B
Date:	Thursday, October 29, 2009		Sheet 3 of 7



SPECTRUM DIGITAL INCORPORATED			
Title: ADV7343 Daughter Card for DM6467 HD 1080P EVM			
Page Contents: ADV7343 VIDEO ENCODER			
Size: B	DWG NO	512082-0001	Revision: B
Date:	Thursday, October 29, 2009	Sheet 4 of 7	

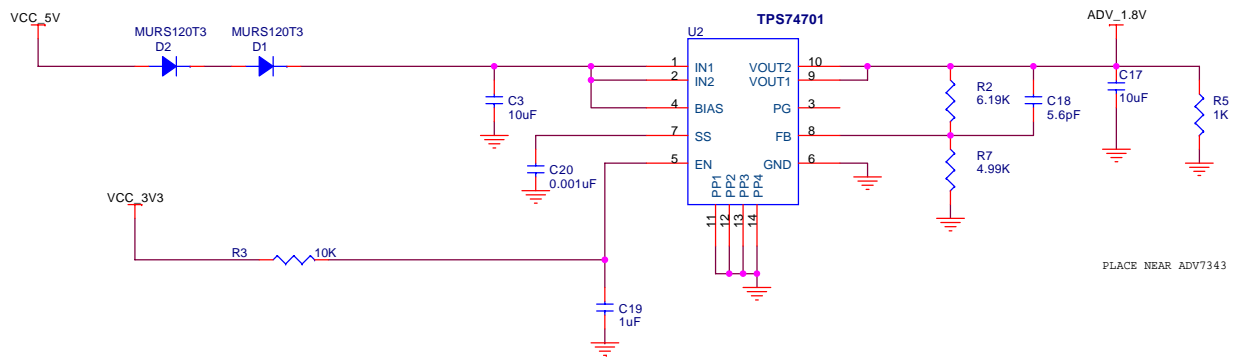


SPECTRUM DIGITAL INCORPORATED			
Title: ADV7343 Daughter Card for DM6467 HD 1080P EVM			
Page Contents: COMPOSITE/S-VIDEO OUTPUT			
Size: B	DWG NO	512082-0001	Revision: A
Date:	Thursday, October 29, 2009		Sheet 5 of 7



NOTE :
 ORDER IS RED,BLUE,GREEN ON BULKHEAD

SPECTRUM DIGITAL INCORPORATED			
Title: ADV7343 Daughter Card for DM6467 HD 1080P EVM			
Page Contents: VIDEO OUTPUT			
Size: B	DWG NO	512082-0001	Revision: B
Date:	Thursday, October 29, 2009	Sheet 6 of 7	



SPECTRUM DIGITAL INCORPORATED			
Title: ADV7343 Daughter Card for DM6467 HD 1080P EVM			
Page Contents: ADV7343 CORE POWER			
Size: B	DWG NO	512082-0001	Revision: A
Date:	Tuesday, October 27, 2009	Sheet	7 of 7