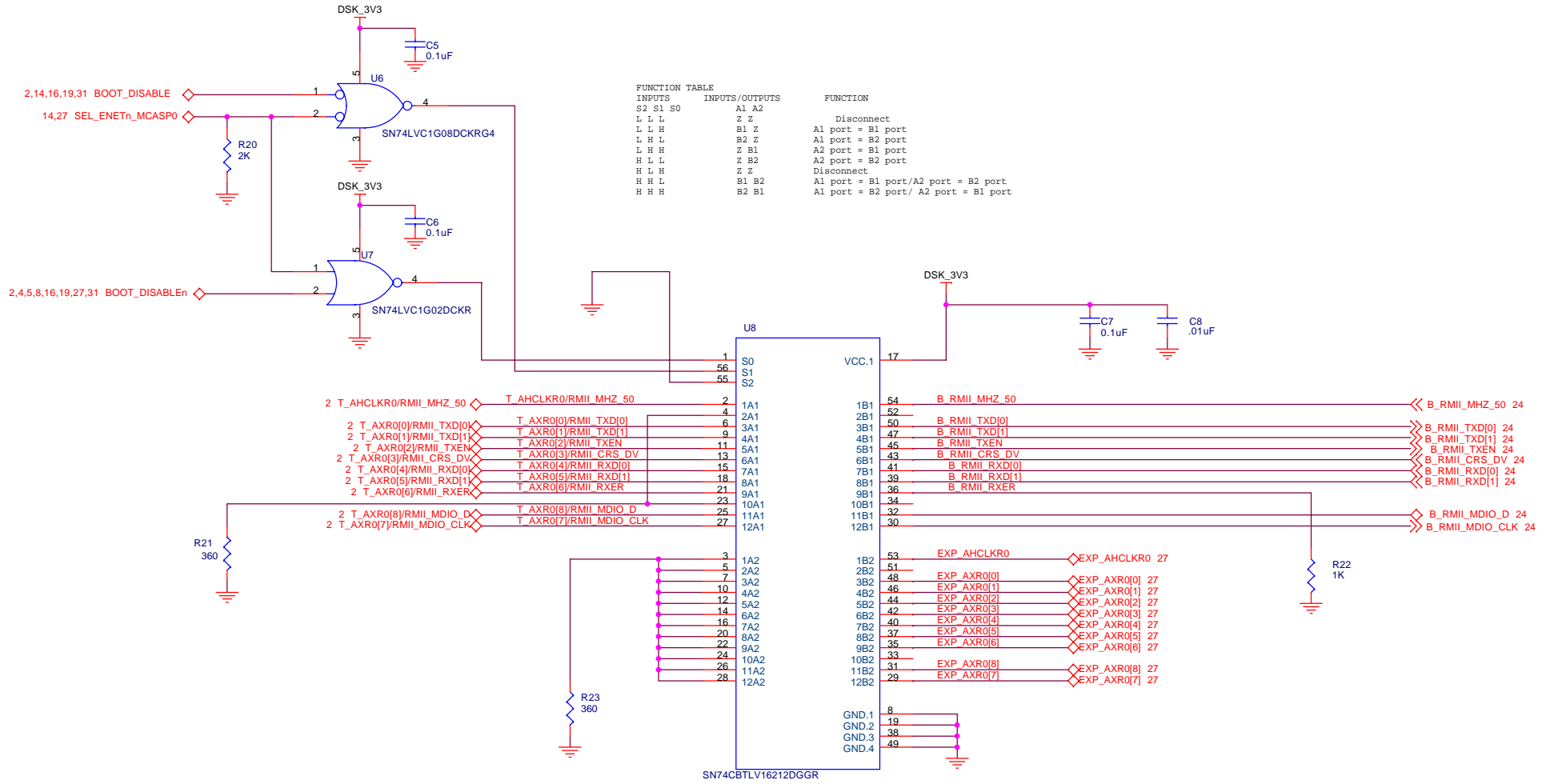
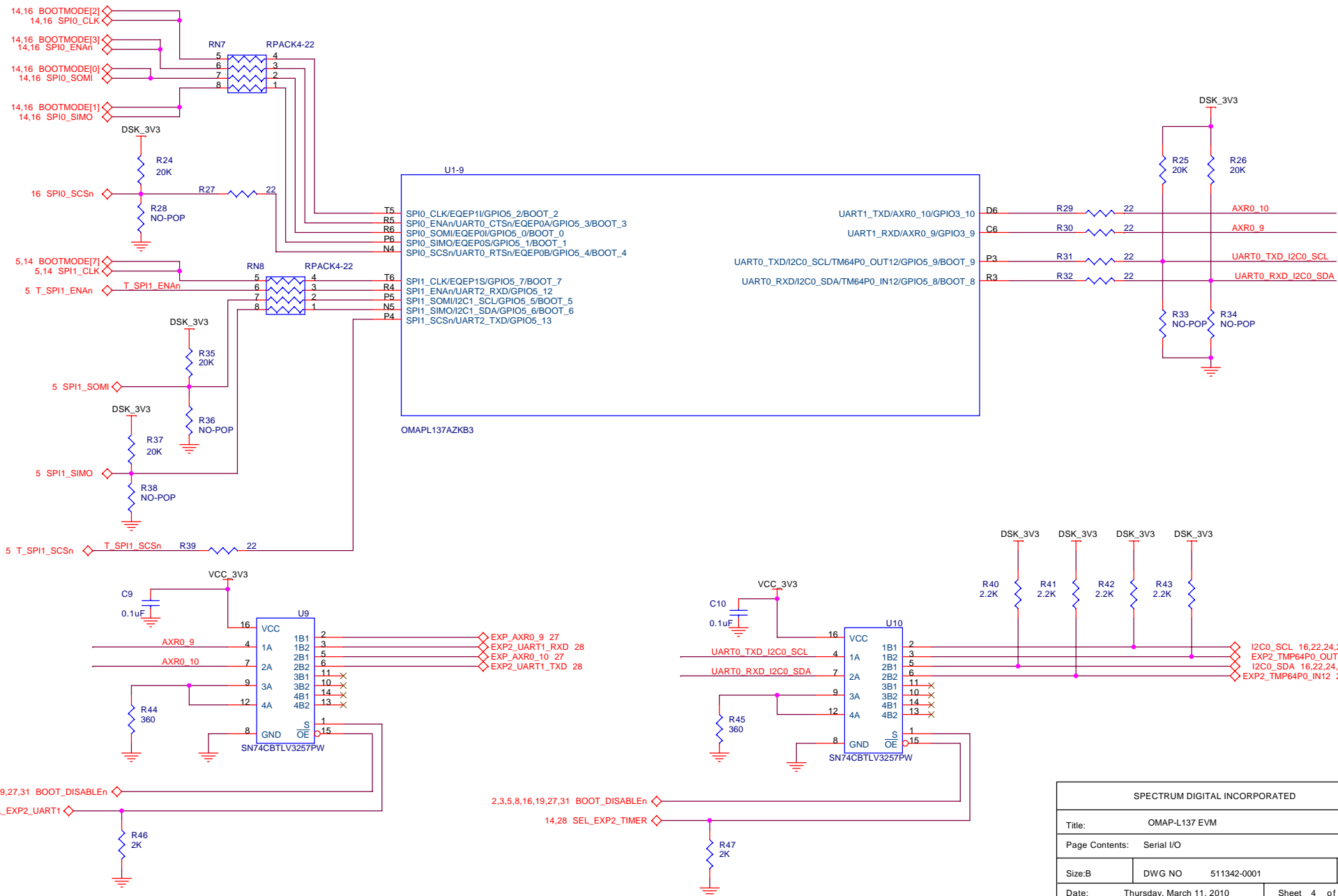


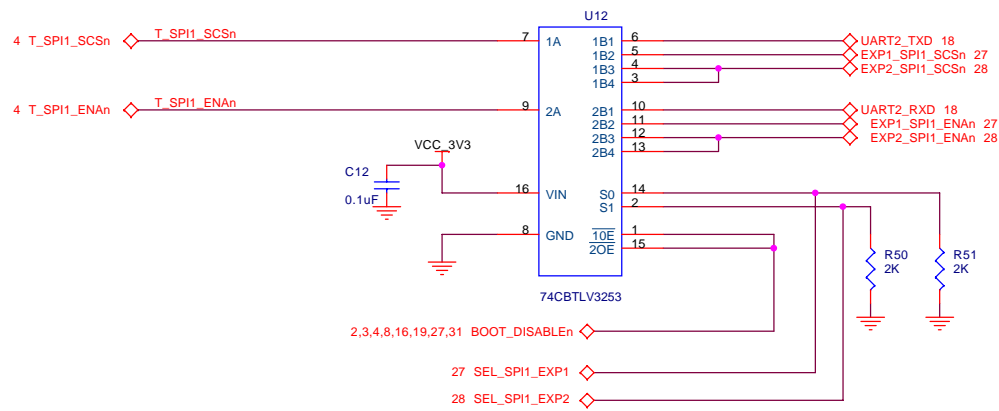
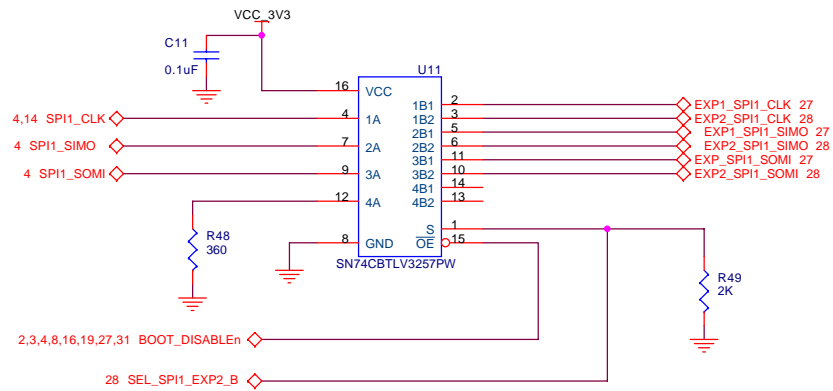
MCLK: AHCLKX1 (drive this clock into McASP)
 BCLK: ACLKX1 (McASP will drive this into the AIC)
 WCLK: AFSX1 (McASP will drive this into the AIC)
 DIN: AXR1[5] (McASP)
 DOUT: AXR1[0] (McASP)
 McASP generates the Tx bit and frame clocks.
 Configure McASP such that the Rx section operates off of the Tx section clocks.

SPECTRUM DIGITAL INCORPORATED			
Title: OMAP-L137 EVM			
Page Contents: McASP/Ethernet MAC			
Size: B	DWG NO	511342-0001	Revision: A
Date:	Thursday, March 11, 2010	Sheet 2 of	32

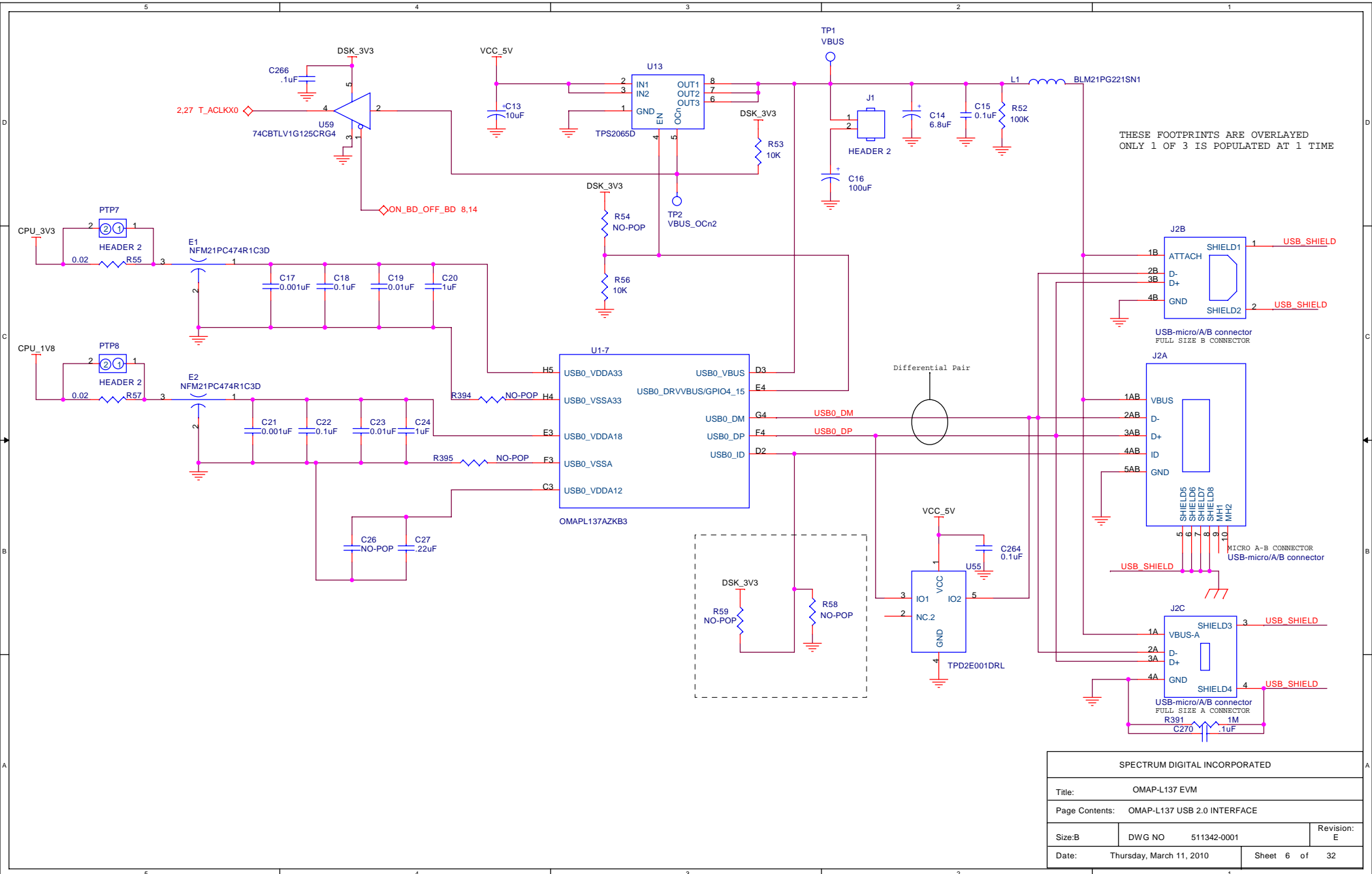




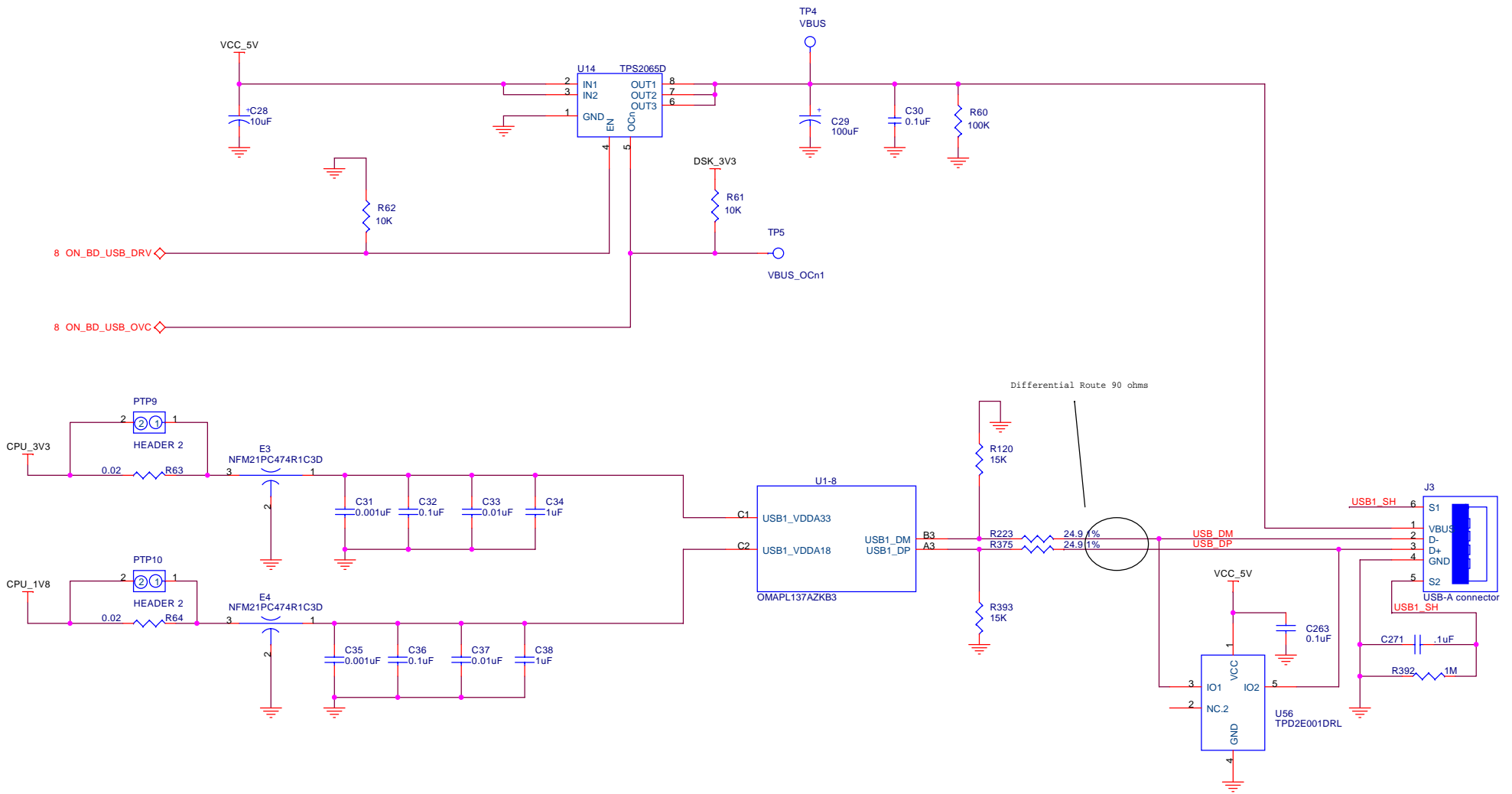
SPECTRUM DIGITAL INCORPORATED			
Title: OMAP-L137 EVM			
Page Contents: Serial I/O			
Size: B	DWG NO	511342-0001	Revision: A
Date:	Thursday, March 11, 2010	Sheet 4 of	32



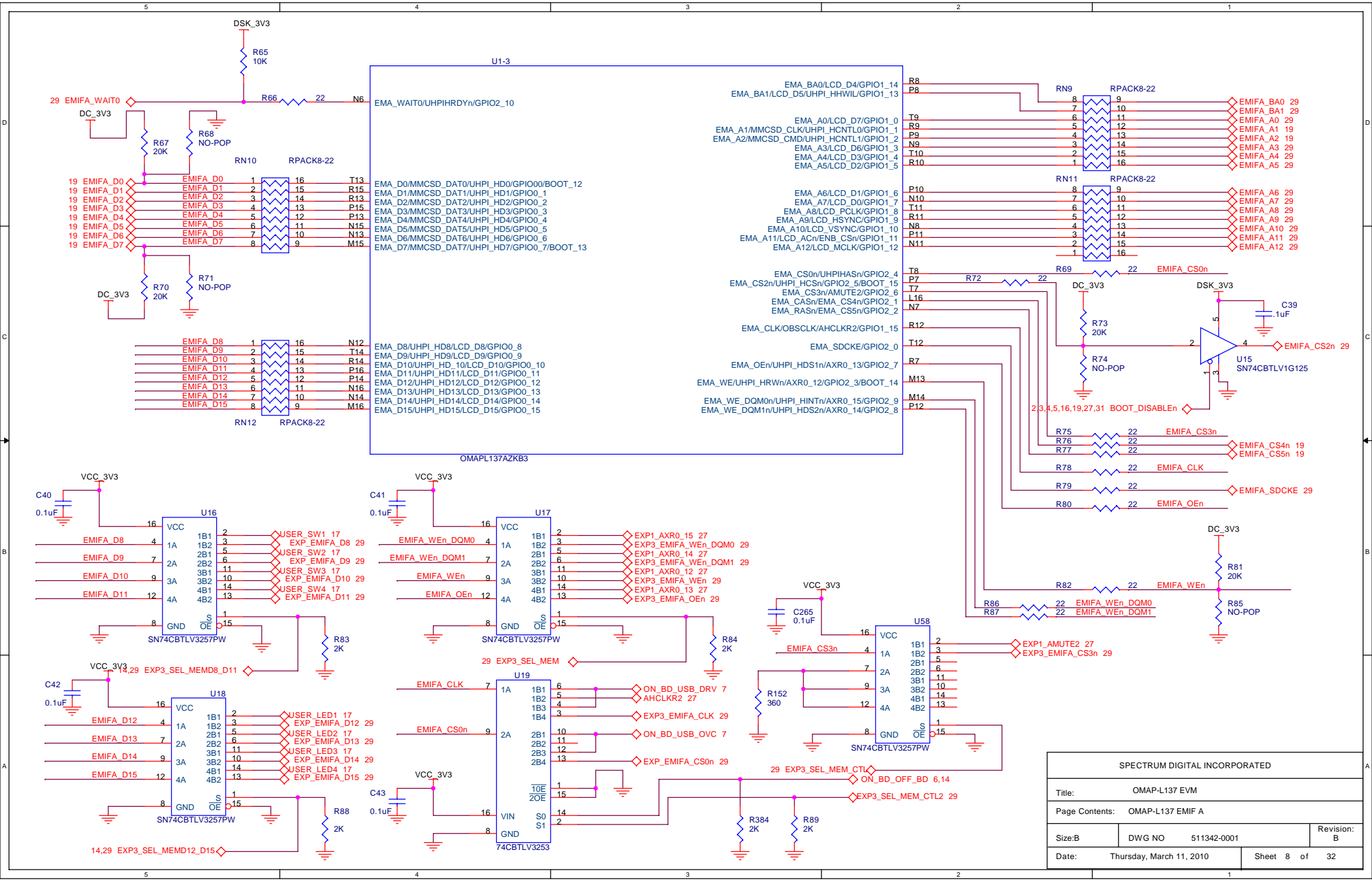
SPECTRUM DIGITAL INCORPORATED			
Title: OMAP-L137 EVM			
Page Contents: SPI MUXING			
Size: B	DWG NO	511342-0001	Revision: A
Date:	Thursday, March 11, 2010		Sheet 5 of 32



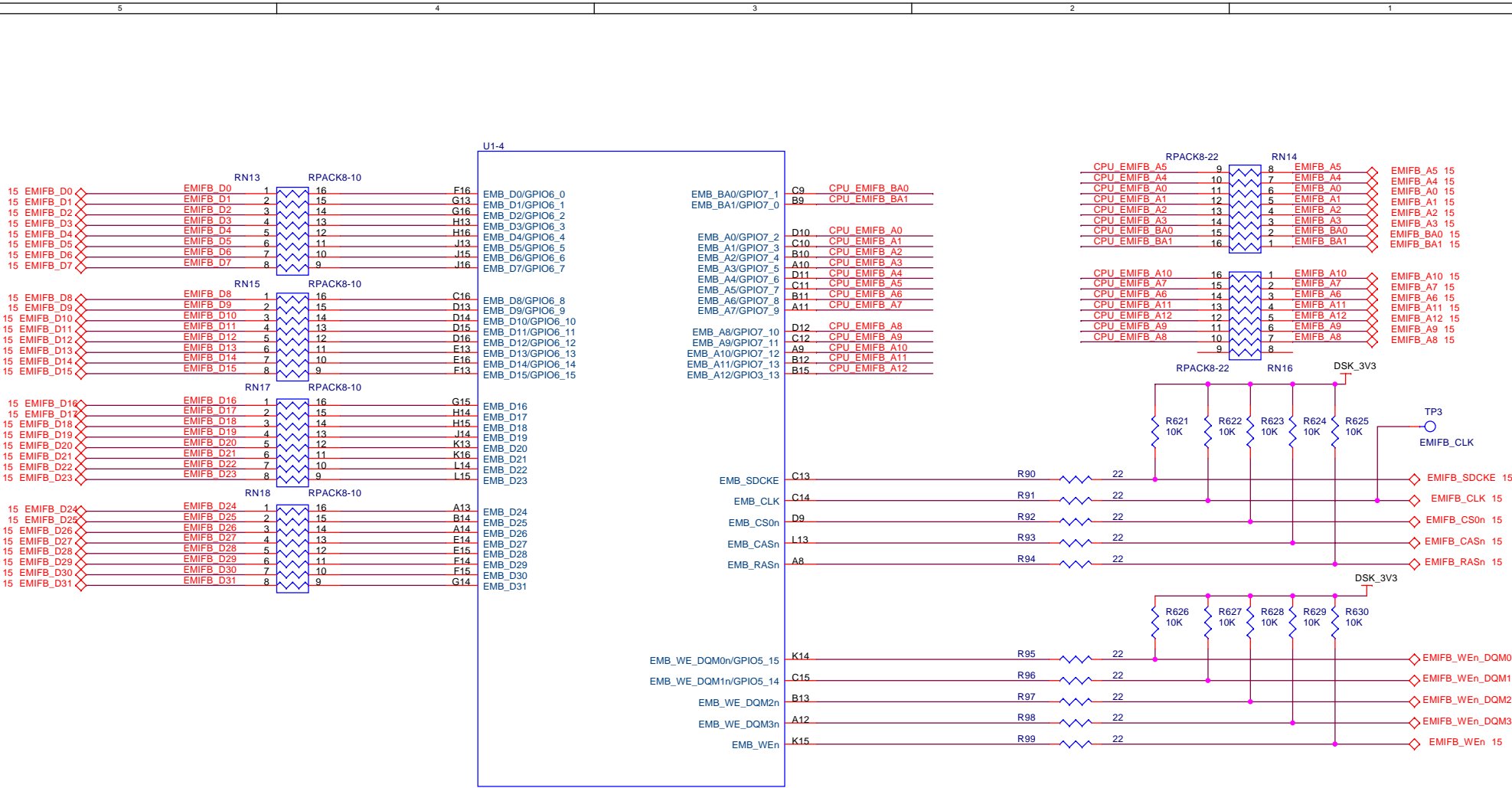
SPECTRUM DIGITAL INCORPORATED			
Title: OMAP-L137 EVM			
Page Contents: OMAP-L137 USB 2.0 INTERFACE			
Size: B	DWG NO	511342-0001	Revision: E
Date:	Thursday, March 11, 2010	Sheet 6 of	32



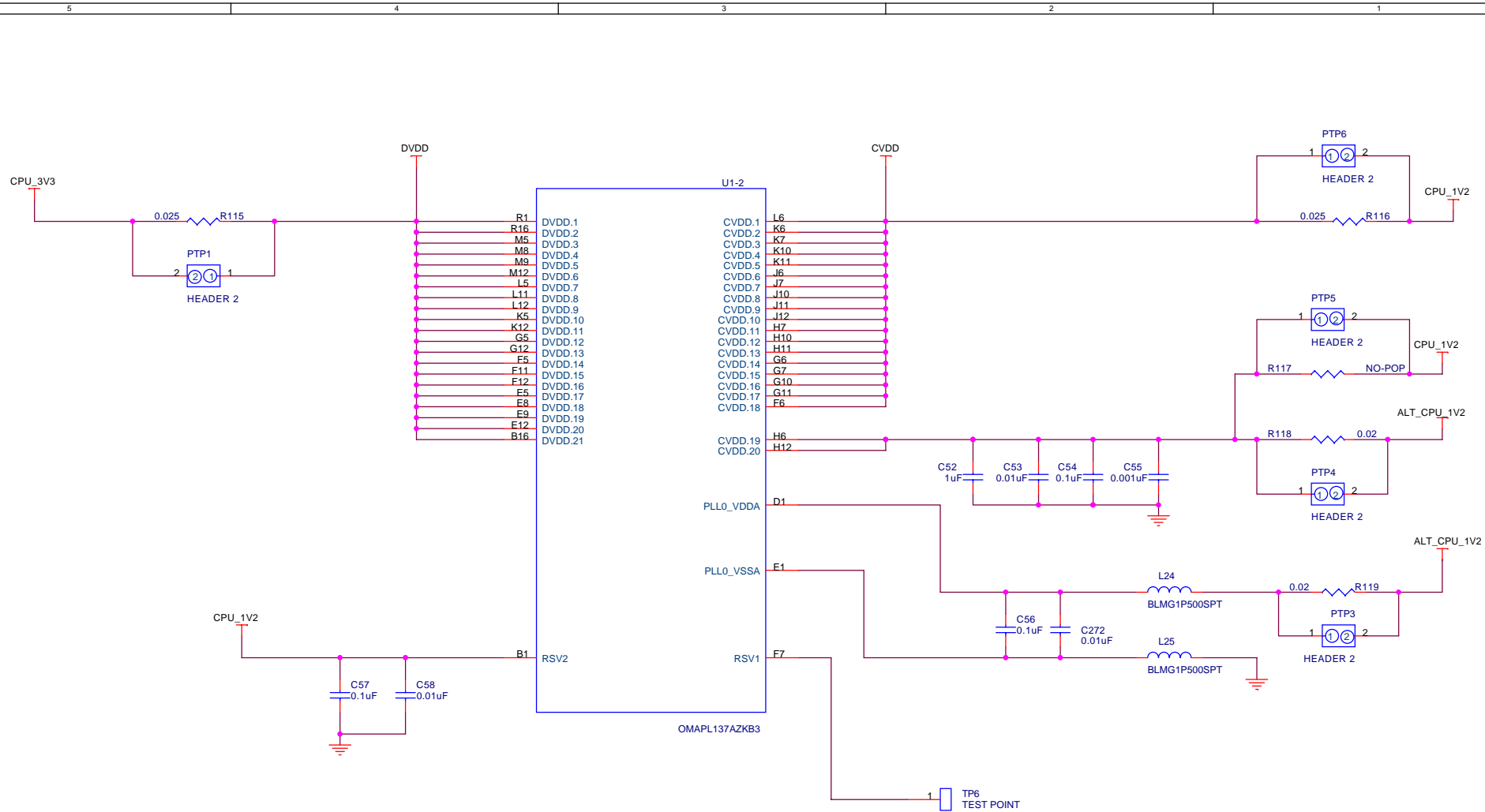
SPECTRUM DIGITAL INCORPORATED			
Title: OMAP-L137 EVM			
Page Contents: USB 1.0 HOST INTERFACE			
Size: B	DWG NO	511342-0001	Revision: E
Date:	Thursday, March 11, 2010		Sheet 7 of 32



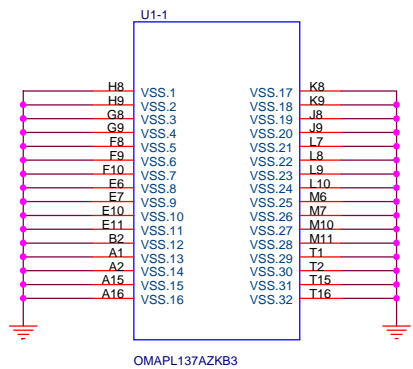
SPECTRUM DIGITAL INCORPORATED			
Title: OMAP-L137 EVM			
Page Contents: OMAP-L137 EMIFA			
Size: B	DWG NO: 511342-0001	Revision: B	
Date: Thursday, March 11, 2010	Sheet 8 of 32		



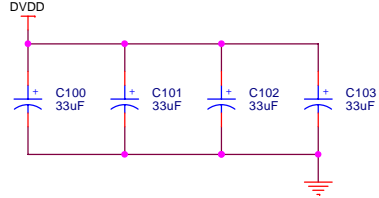
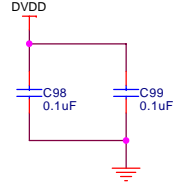
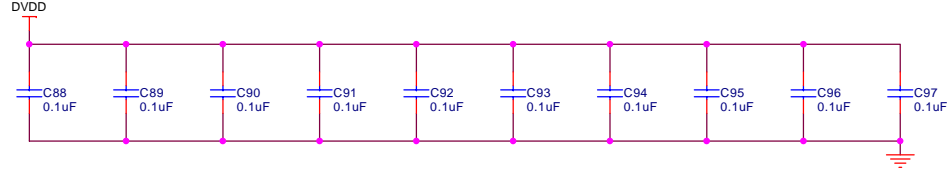
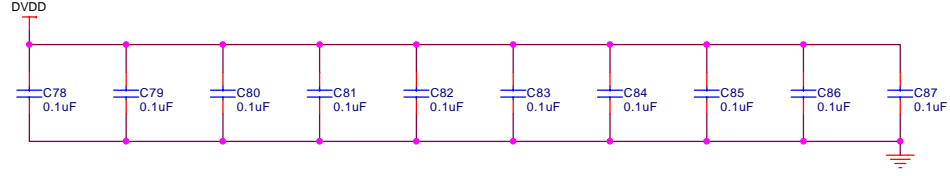
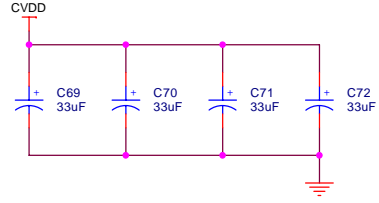
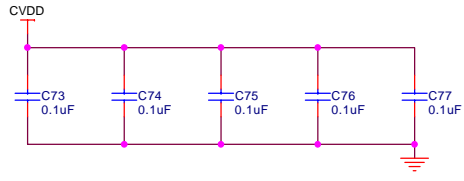
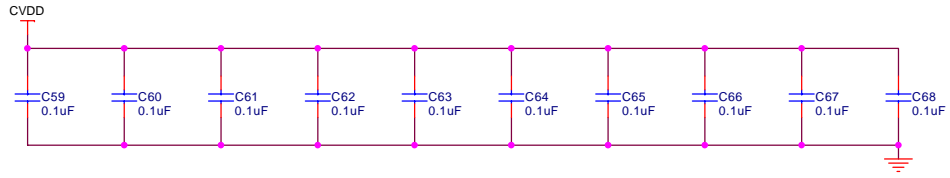
SPECTRUM DIGITAL INCORPORATED			
Title: OMAP-L137 EVM			
Page Contents: OMAP-L137 EMIF-B			
Size: B	DWG NO	511342-0001	Revision: A
Date:	Thursday, March 11, 2010	Sheet 9 of	32



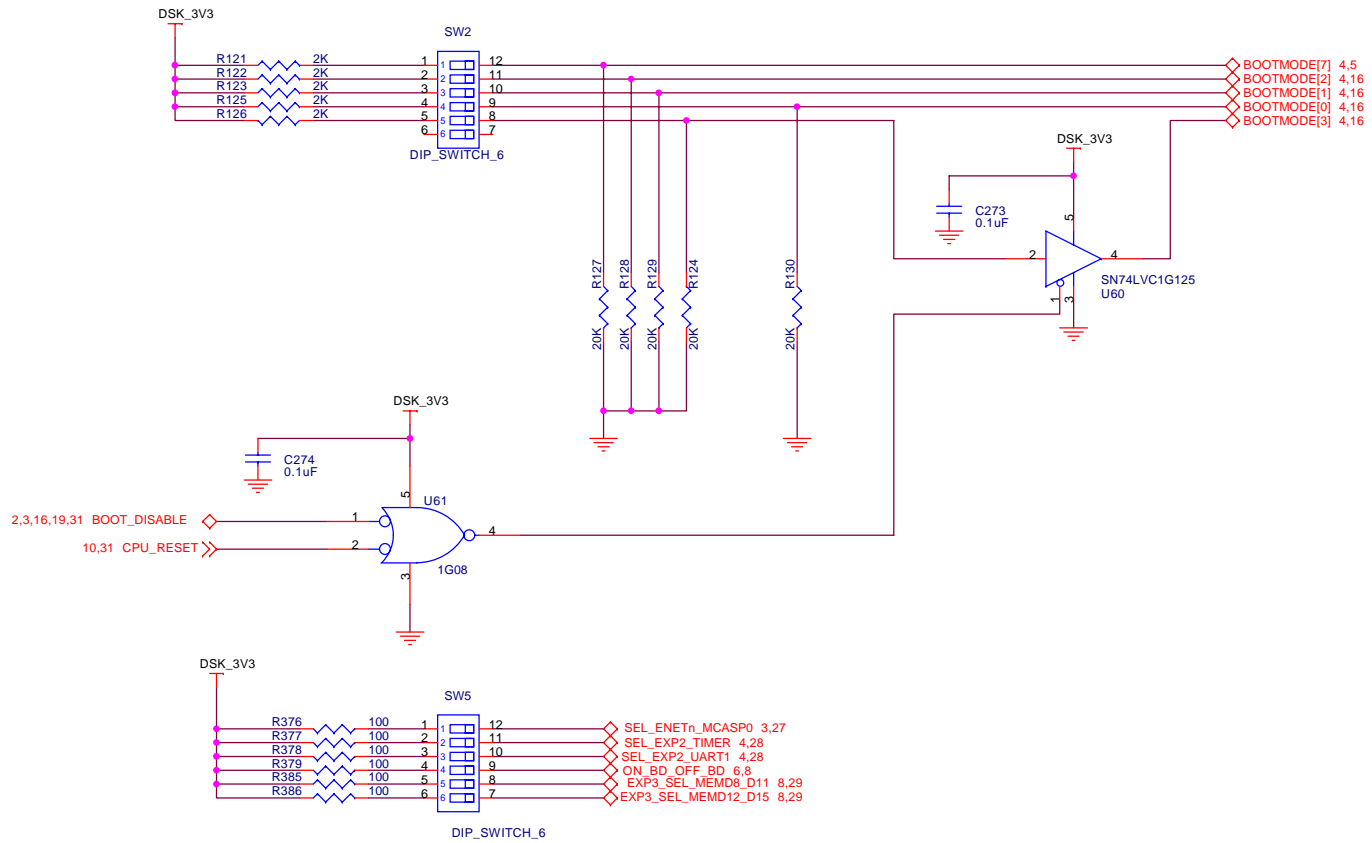
SPECTRUM DIGITAL INCORPORATED			
Title: OMAP-L137 EVM			
Page Contents: OMAP-L137 POWER PINS			
Size: B	DWG NO	511342-0001	Revision: C
Date:	Thursday, March 11, 2010		Sheet 11 of 32



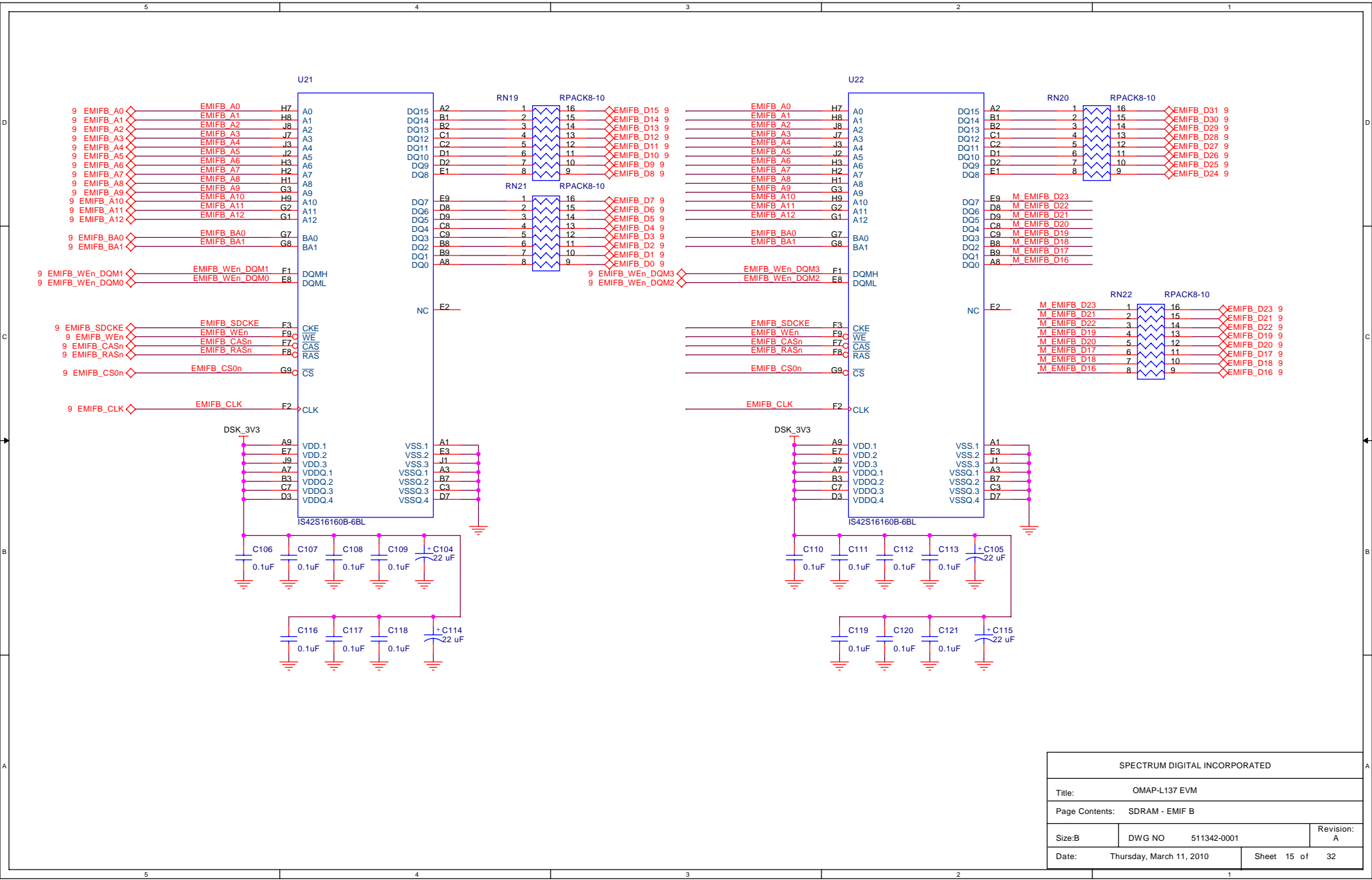
SPECTRUM DIGITAL INCORPORATED			
Title:		OMAP-L137 EVM	
Page Contents: OMAP-L137 GROUND PINS			
Size: B	DWG NO	511342-0001	Revision: A
Date:	Thursday, March 11, 2010	Sheet 12 of	32



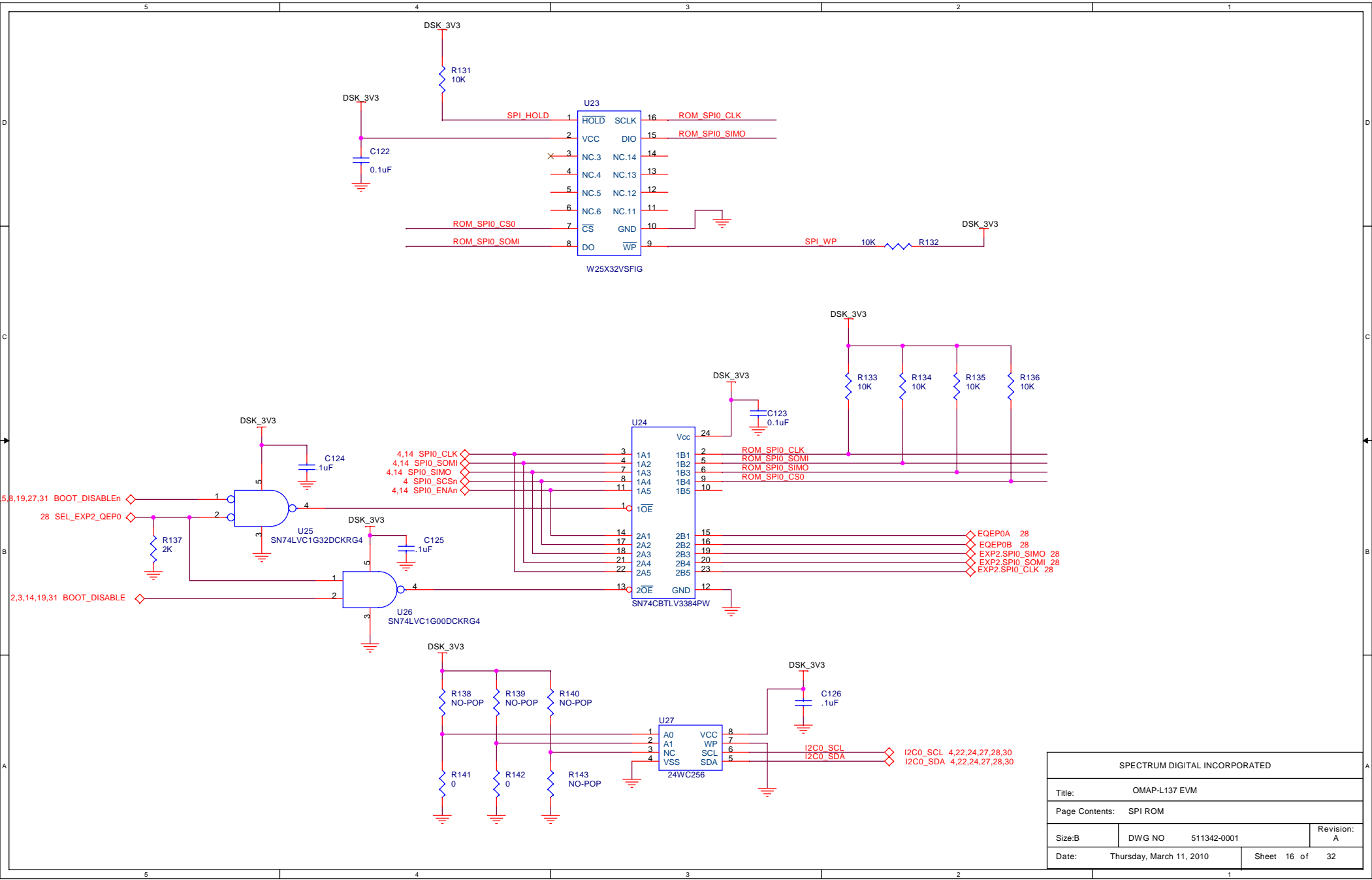
SPECTRUM DIGITAL INCORPORATED			
Title: OMAP-L137 EVM			
Page Contents: OMAP-L137 DECOUPLING CAPACITORS			
Size: B	DWG NO	511342-0001	Revision: A
Date:	Thursday, March 11, 2010	Sheet 13 of	32



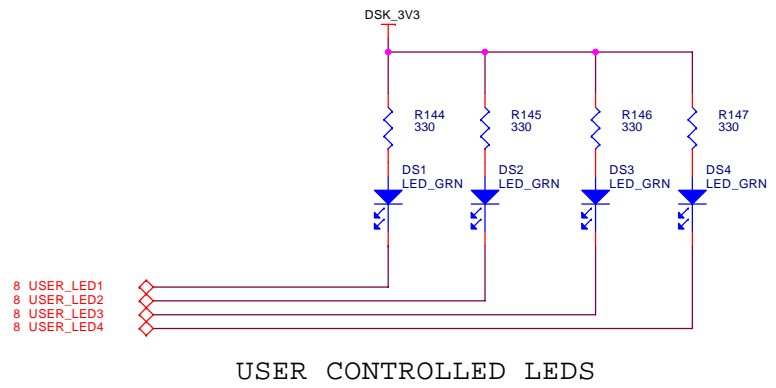
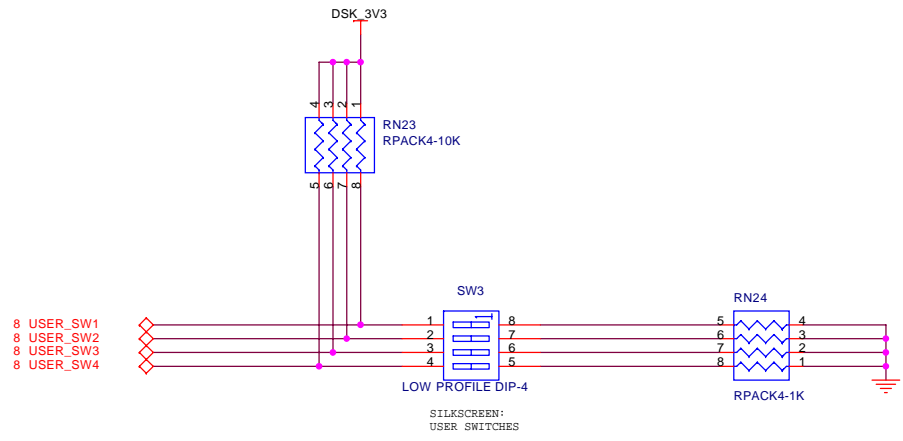
SPECTRUM DIGITAL INCORPORATED			
Title: OMAP-L137 EVM			
Page Contents: BOOT MODES			
Size: B	DWG NO	511342-0001	Revision: C
Date:	Thursday, March 11, 2010		Sheet 14 of 32



SPECTRUM DIGITAL INCORPORATED			
Title:		OMAP-L137 EVM	
Page Contents: SDRAM - EMIF B			
Size: B	DWG NO	511342-0001	Revision: A
Date:	Thursday, March 11, 2010	Sheet	15 of 32

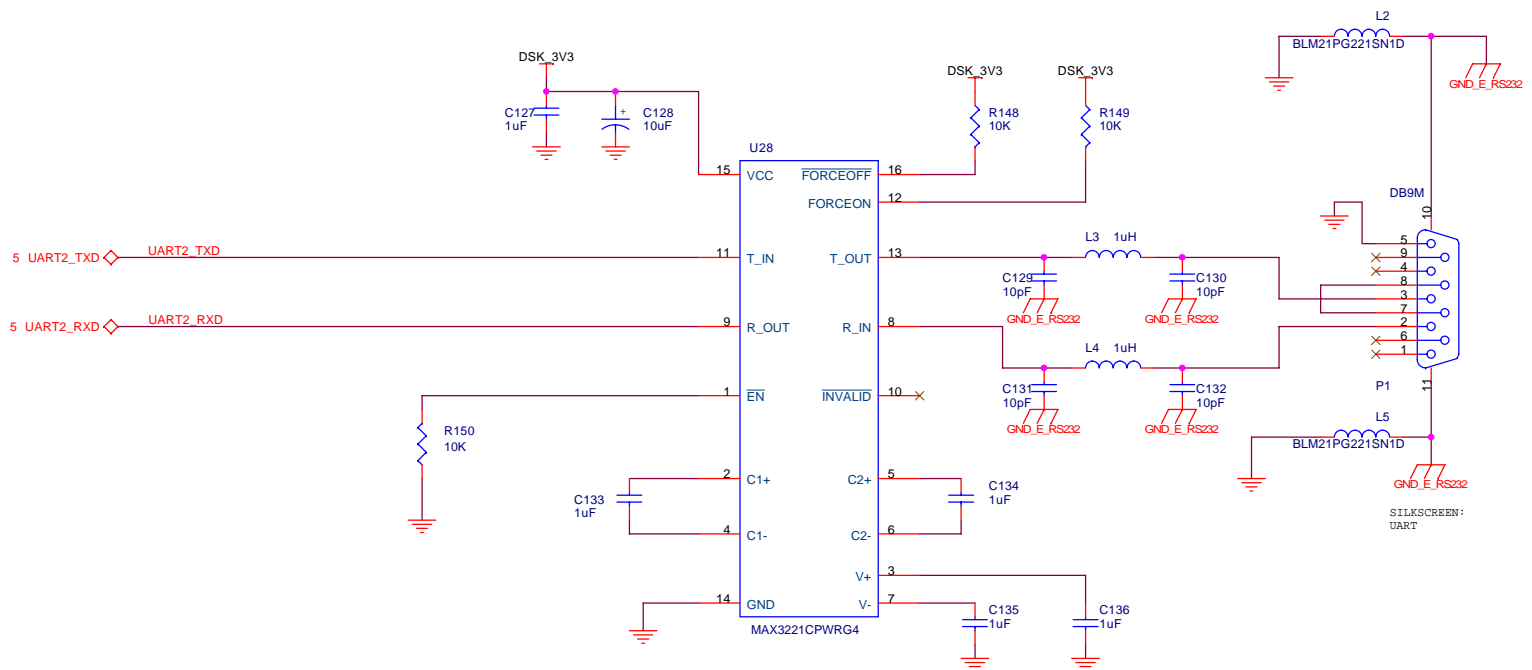


SPECTRUM DIGITAL INCORPORATED			
Title: OMAP-L137 EVM			
Page Contents: SPI ROM			
Size: B	DWG NO	511342-0001	Revision: A
Date:	Thursday, March 11, 2010		Sheet 16 of 32



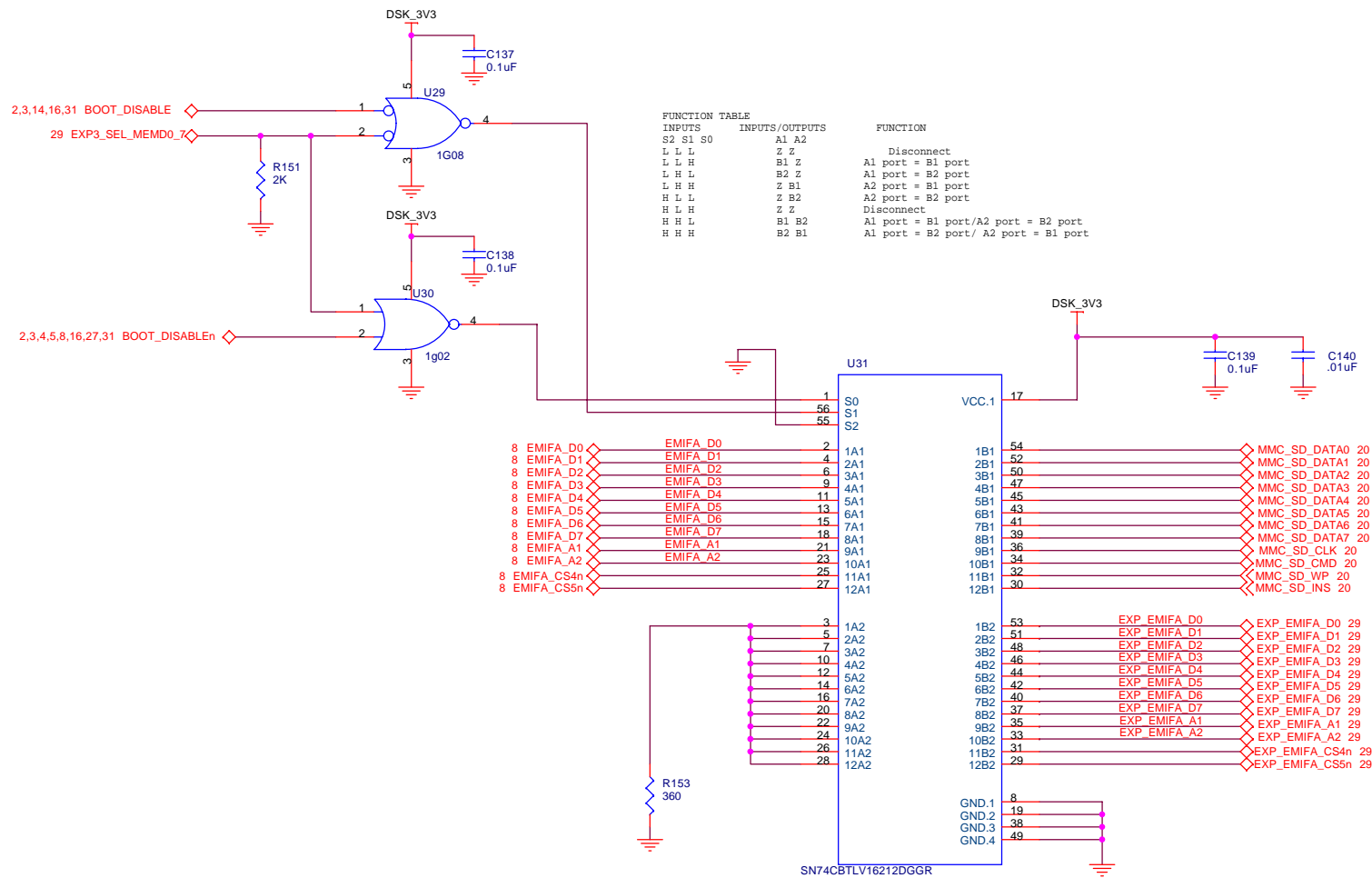
SPECTRUM DIGITAL INCORPORATED			
Title: OMAP-L137 EVM			
Page Contents: USER SWITCHES LEDS			
Size: B	DWG NO	511342-0001	Revision: A
Date:	Thursday, March 11, 2010	Sheet 17 of	32

5 4 3 2 1

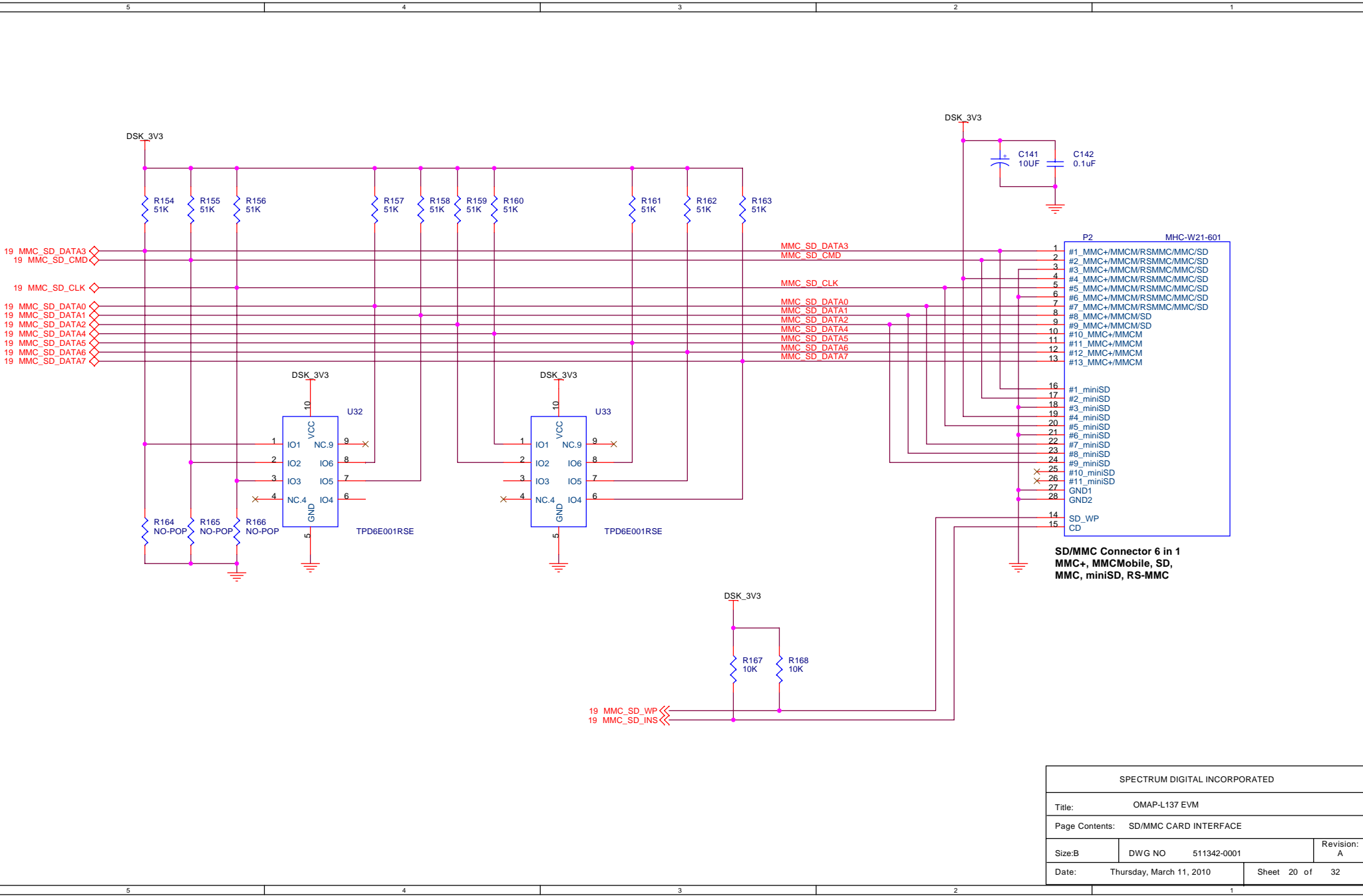


SPECTRUM DIGITAL INCORPORATED			
Title: OMAP-L137 EVM			
Page Contents: RS232			
Size: B	DWG NO	511342-0001	Revision: A
Date:	Thursday, March 11, 2010		Sheet 18 of 32

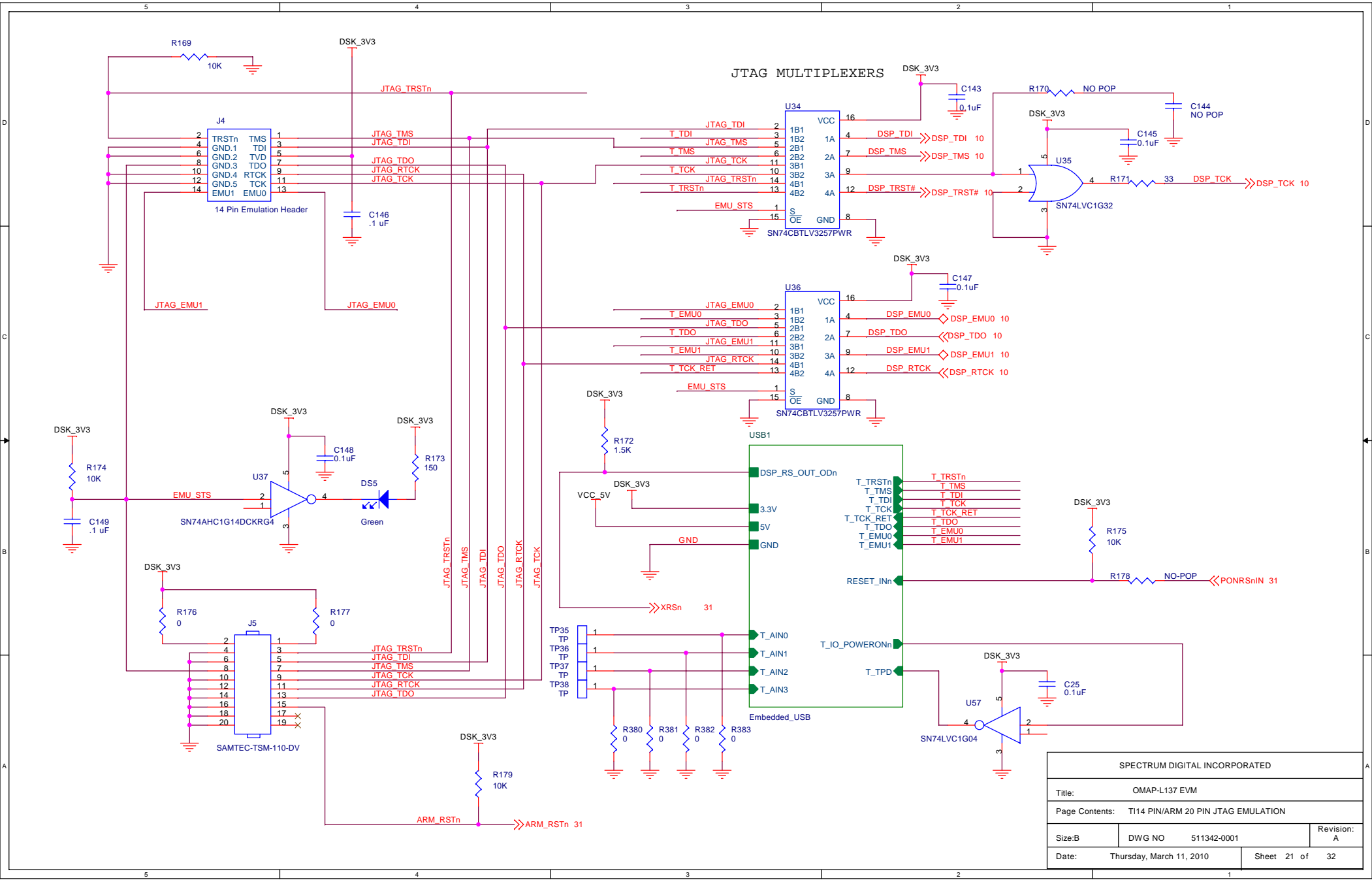
5 4 3 2 1



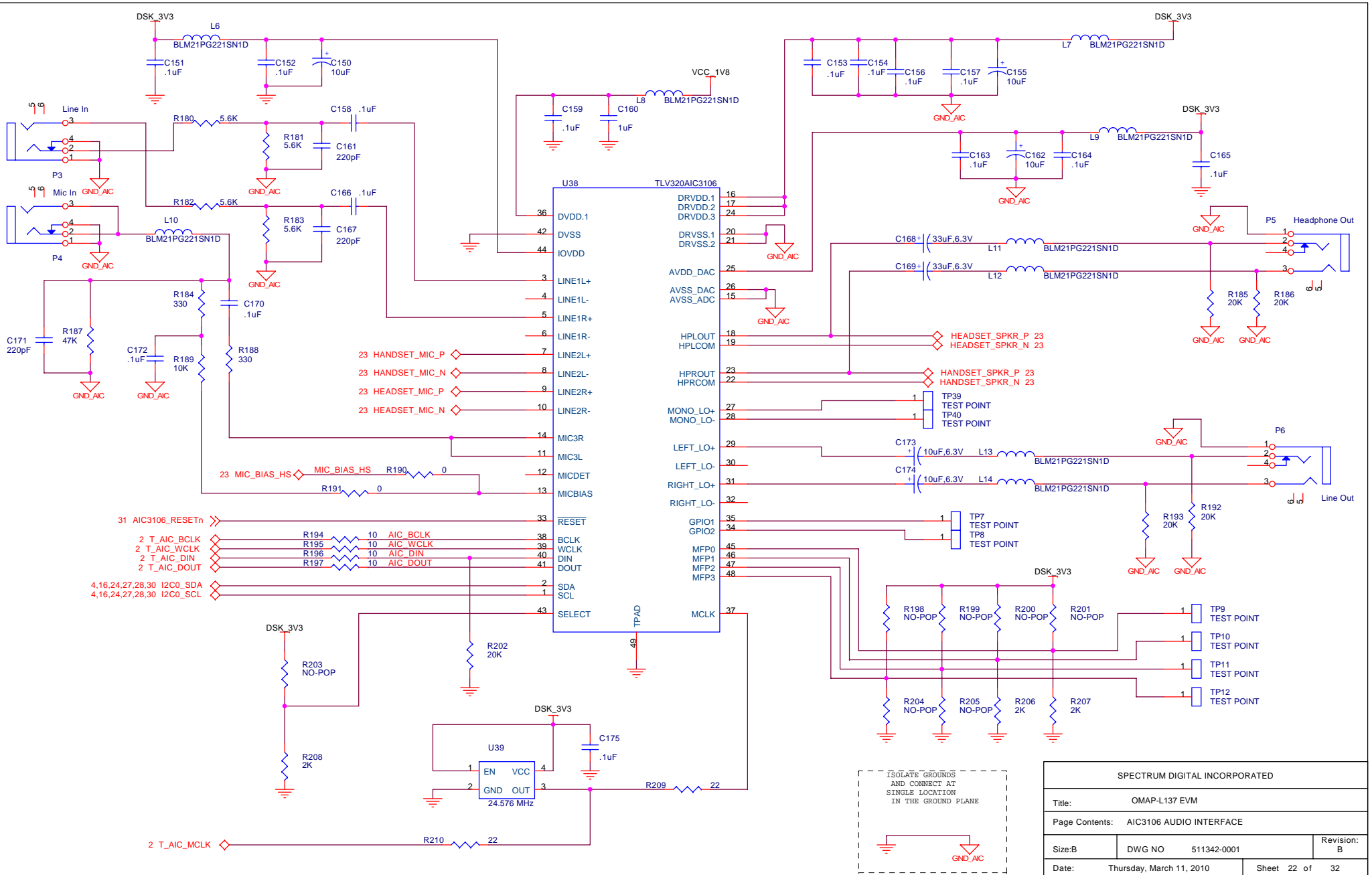
FUNCTION TABLE		INPUTS/OUTPUTS		FUNCTION	
S2	S1	S0	A1	A2	
L	L	L	Z	Z	Disconnect
L	L	H	B1	Z	A1 port = B1 port
L	H	L	B2	Z	A1 port = B2 port
L	H	H	Z	B1	A2 port = B1 port
H	L	L	Z	B2	A2 port = B2 port
H	L	H	Z	Z	Disconnect
H	H	L	B1	B2	A1 port = B1 port/A2 port = B2 port
H	H	H	B2	B1	A1 port = B2 port/A2 port = B1 port



SPECTRUM DIGITAL INCORPORATED			
Title: OMAP-L137 EVM			
Page Contents: SD/MMC CARD INTERFACE			
Size: B	DWG NO	511342-0001	Revision: A
Date:	Thursday, March 11, 2010		Sheet 20 of 32

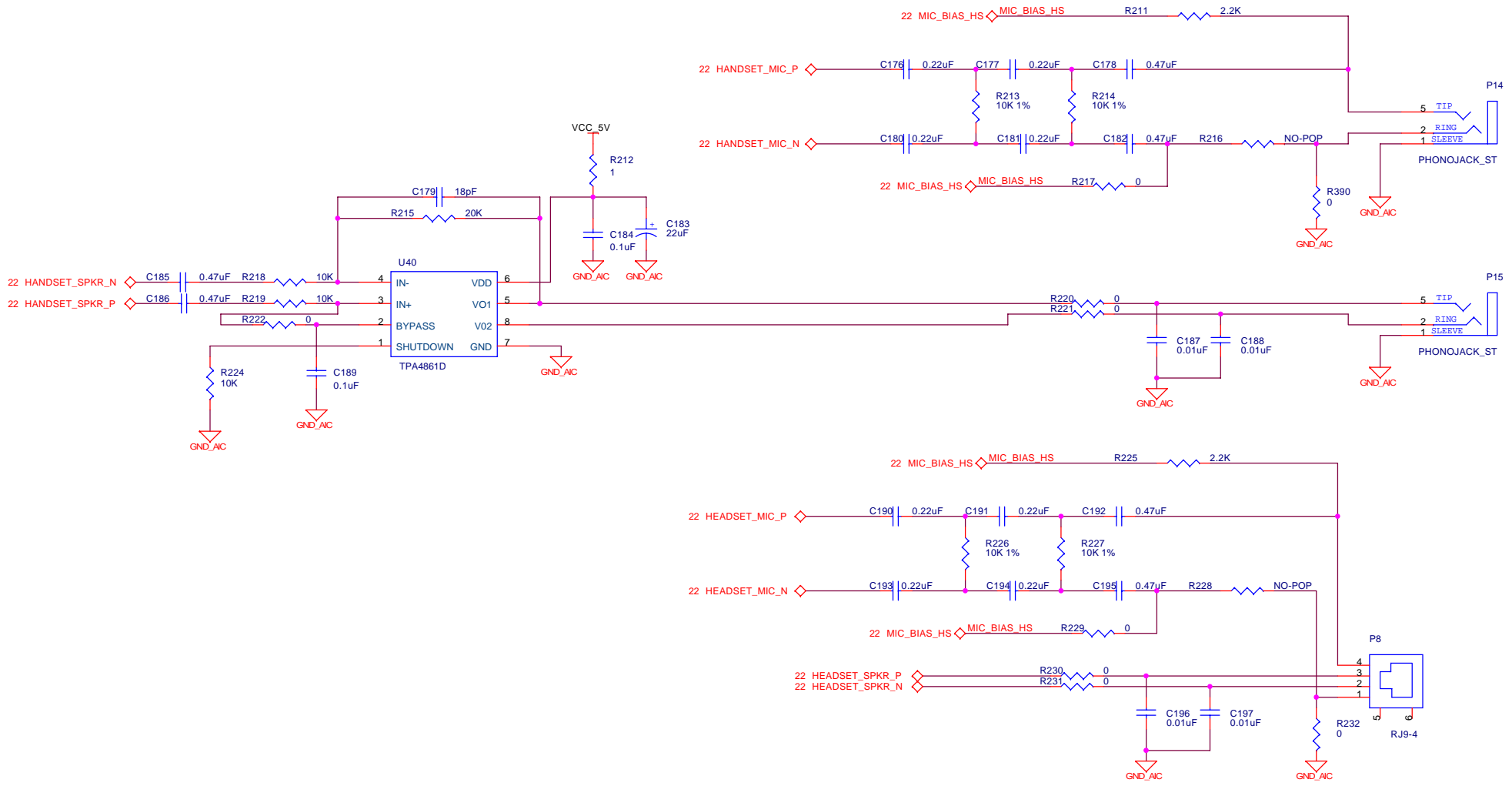


SPECTRUM DIGITAL INCORPORATED			
Title: OMAP-L137 EVM			
Page Contents: T114 PIN/ARM 20 PIN JTAG EMULATION			
Size: B	DWG NO: 511342-0001	Revision: A	
Date: Thursday, March 11, 2010	Sheet 21 of 32		

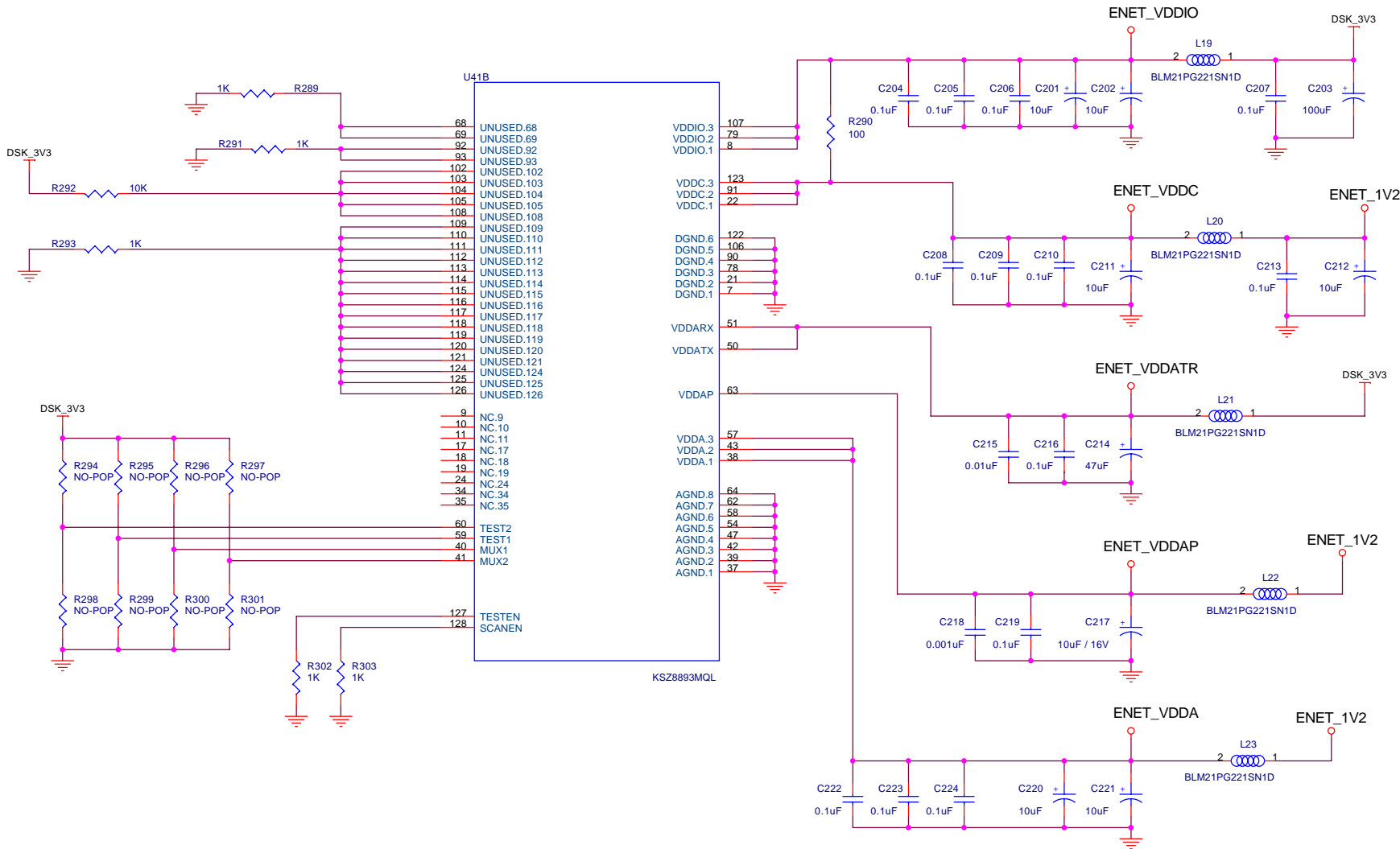


ISOLATE GROUNDS AND CONNECT AT SINGLE LOCATION IN THE GROUND PLANE

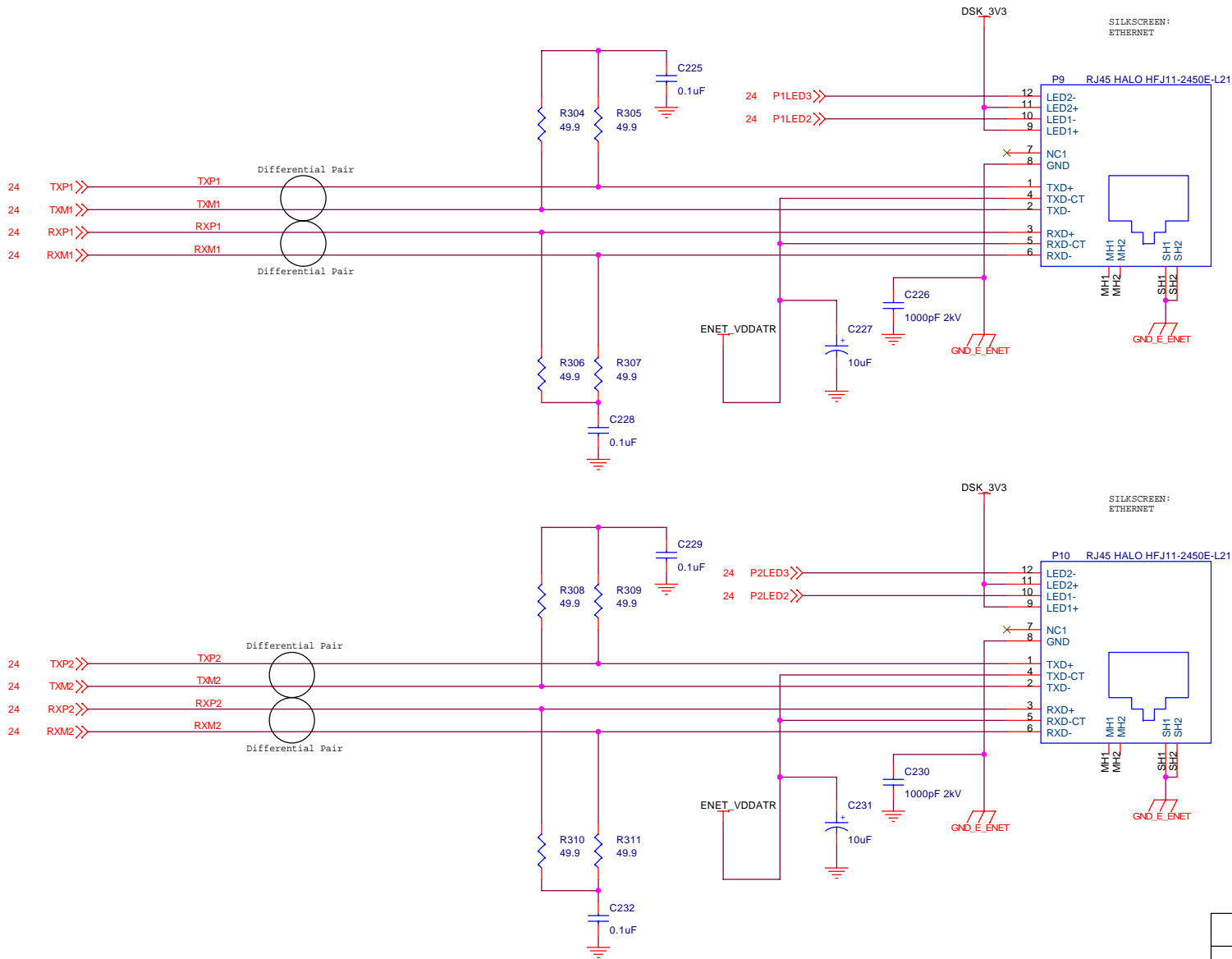
SPECTRUM DIGITAL INCORPORATED			
Title: OMAP-L137 EVM			
Page Contents: AIC3106 AUDIO INTERFACE			
Size: B	DWG NO	511342-0001	Revision: B
Date: Thursday, March 11, 2010	Sheet 22 of 32		



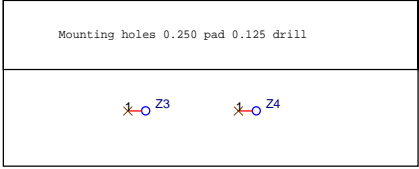
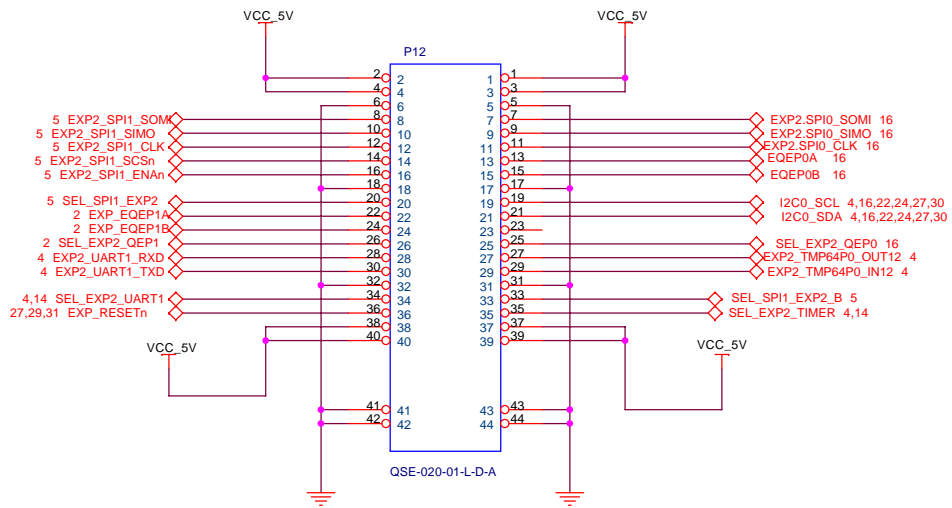
SPECTRUM DIGITAL INCORPORATED			
Title: OMAP-L137 EVM			
Page Contents: AIC3106 VOIP INTERFACE			
Size: B	DWG NO	511342-0001	Revision: A
Date:	Thursday, March 11, 2010		Sheet 23 of 32



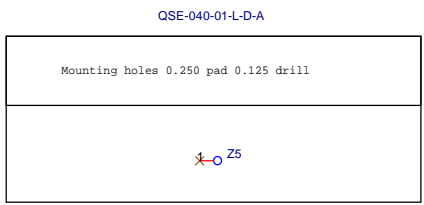
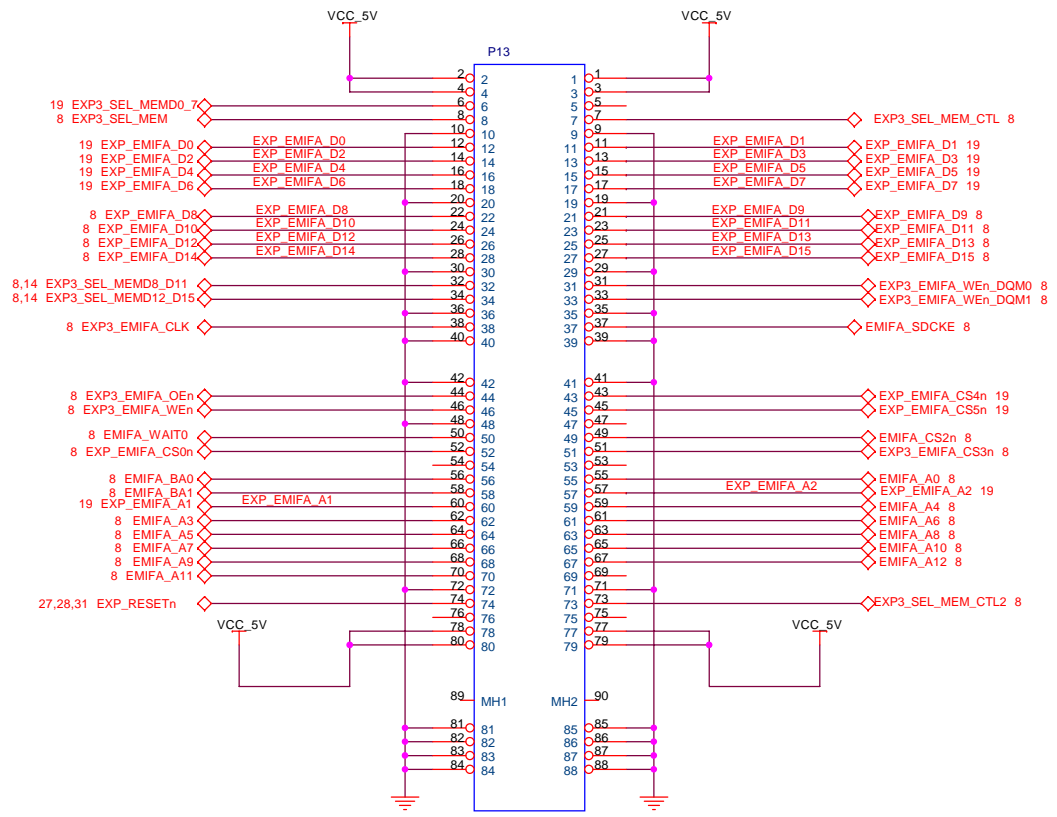
SPECTRUM DIGITAL INCORPORATED			
Title: OMAP-L137 EVM			
Page Contents: KSZ8893MQL ETHERNET POWER			
Size: B	DWG NO	511342-0001	Revision: A
Date:	Thursday, March 11, 2010		Sheet 25 of 32



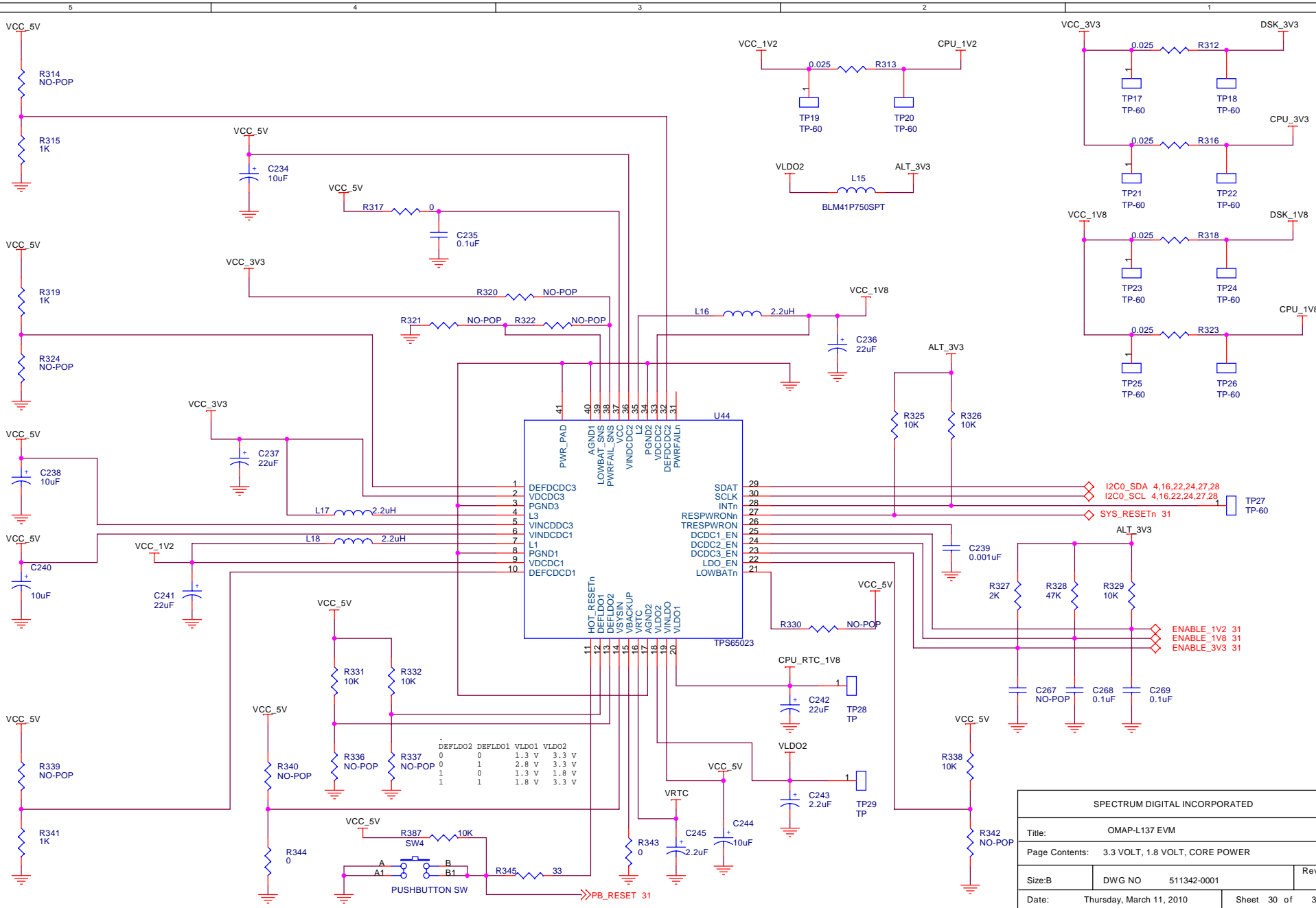
SPECTRUM DIGITAL INCORPORATED			
Title: OMAP-L137 EVM			
Page Contents: KSZ8893MQL ETHERNET PORTS			
Size: B	DWG NO	511342-0001	Revision: A
Date:	Thursday, March 11, 2010		Sheet 26 of 32



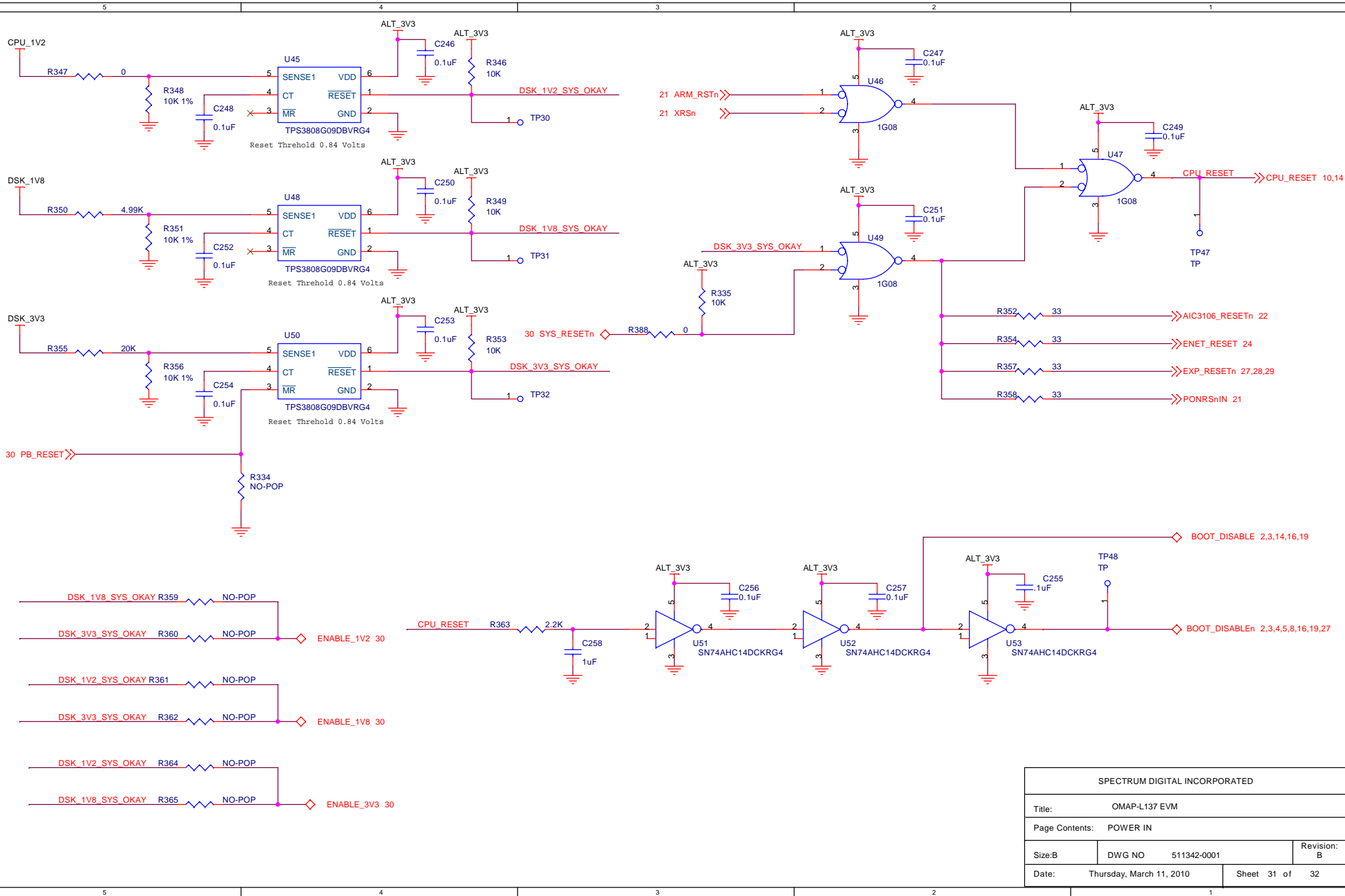
SPECTRUM DIGITAL INCORPORATED			
Title:		OMAP-L137 EVM	
Page Contents: EXPANSION 2			
Size: B	DWG NO	511342-0001	Revision: A
Date:	Thursday, March 11, 2010	Sheet 28 of	32



SPECTRUM DIGITAL INCORPORATED			
Title: OMAP-L137 EVM			
Page Contents: EXPANSION 3			
Size: B	DWG NO	511342-0001	Revision: B
Date:	Thursday, March 11, 2010		Sheet 29 of 32

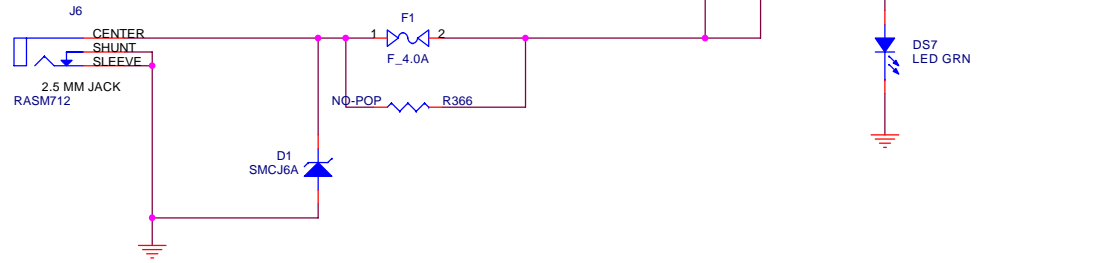


SPECTRUM DIGITAL INCORPORATED			
Title: OMAP-L137 EVM			
Page Contents: 3.3 VOLT, 1.8 VOLT, CORE POWER			
Size: B	DWG NO	511342-0001	Revision: B
Date:	Thursday, March 11, 2010	Sheet	30 of 32

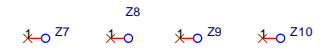


SPECTRUM DIGITAL INCORPORATED			
Title: OMAP-L137 EVM			
Page Contents: POWER IN			
Size: B	DWG NO	511342-0001	Revision: B
Date:	Thursday, March 11, 2010		Sheet 31 of 32

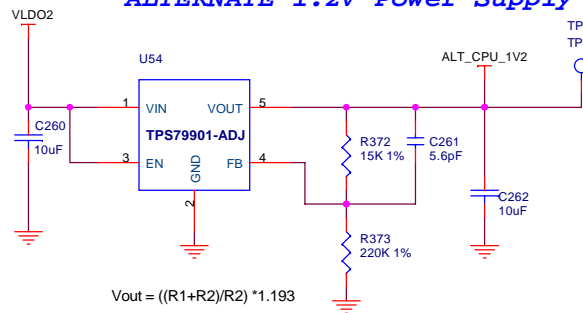
SILKSCREEN:
5V IN



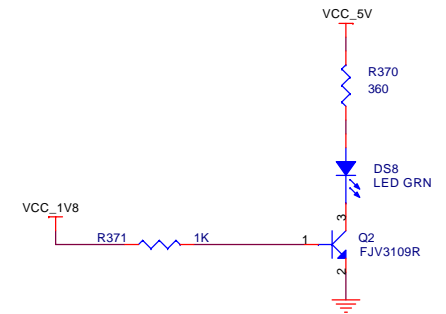
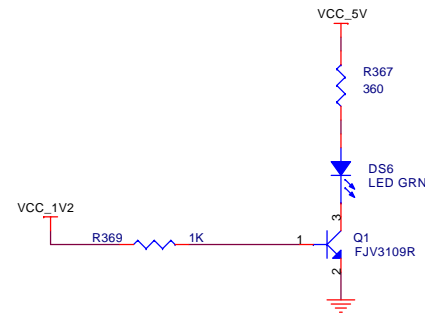
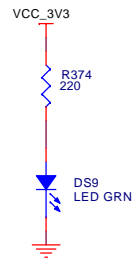
Mounting holes 0.250 pad 0.125 drill



ALTERNATE 1.2V Power Supply



$$V_{out} = ((R1+R2)/R2) * 1.193$$



SPECTRUM DIGITAL INCORPORATED			
Title: OMAP-L137 EVM			
Page Contents: POWER IN			
Size: B	DWG NO: 511342-0001	Revision: B	
Date: Thursday, March 11, 2010	Sheet 32 of 32		