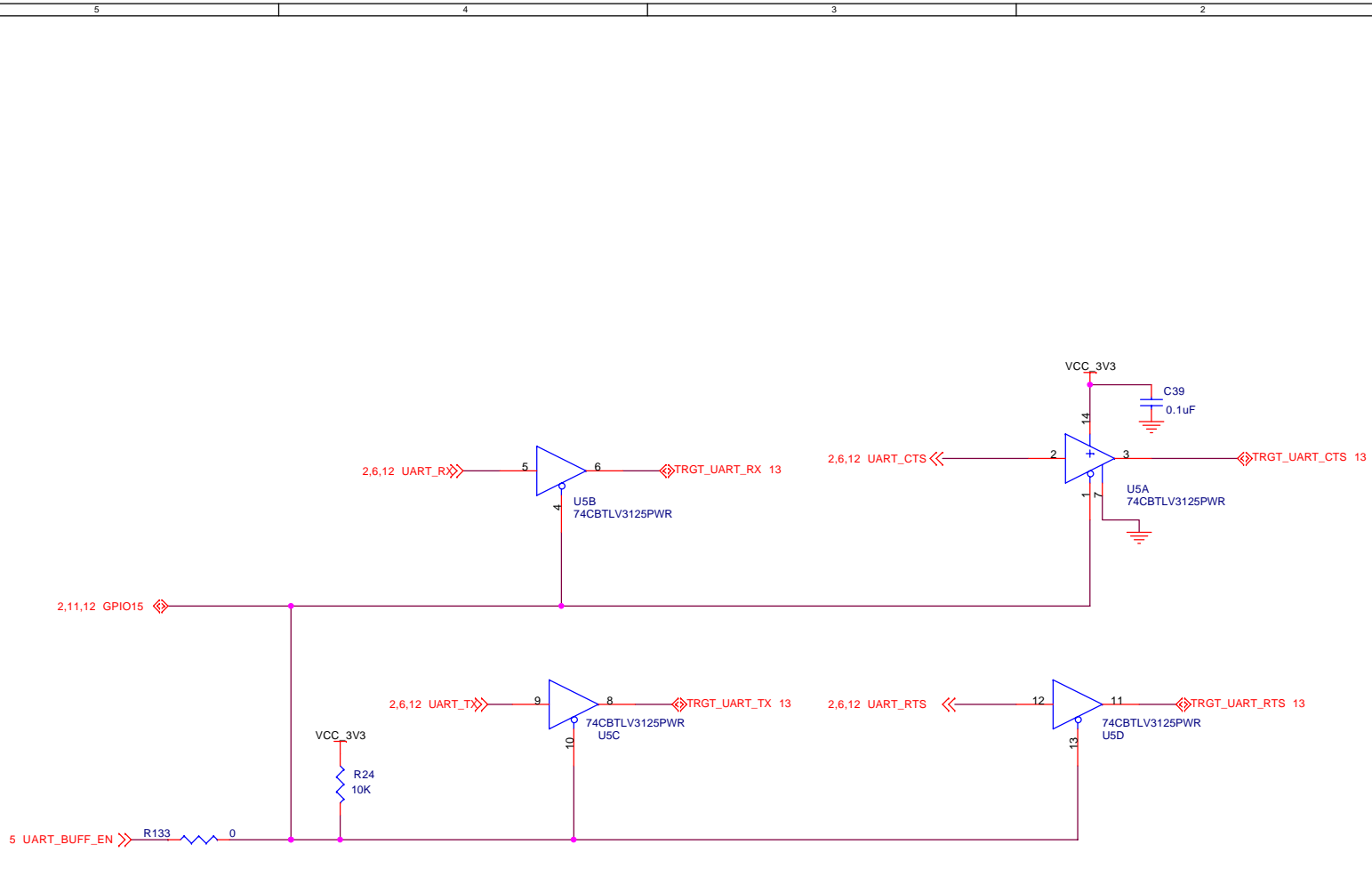
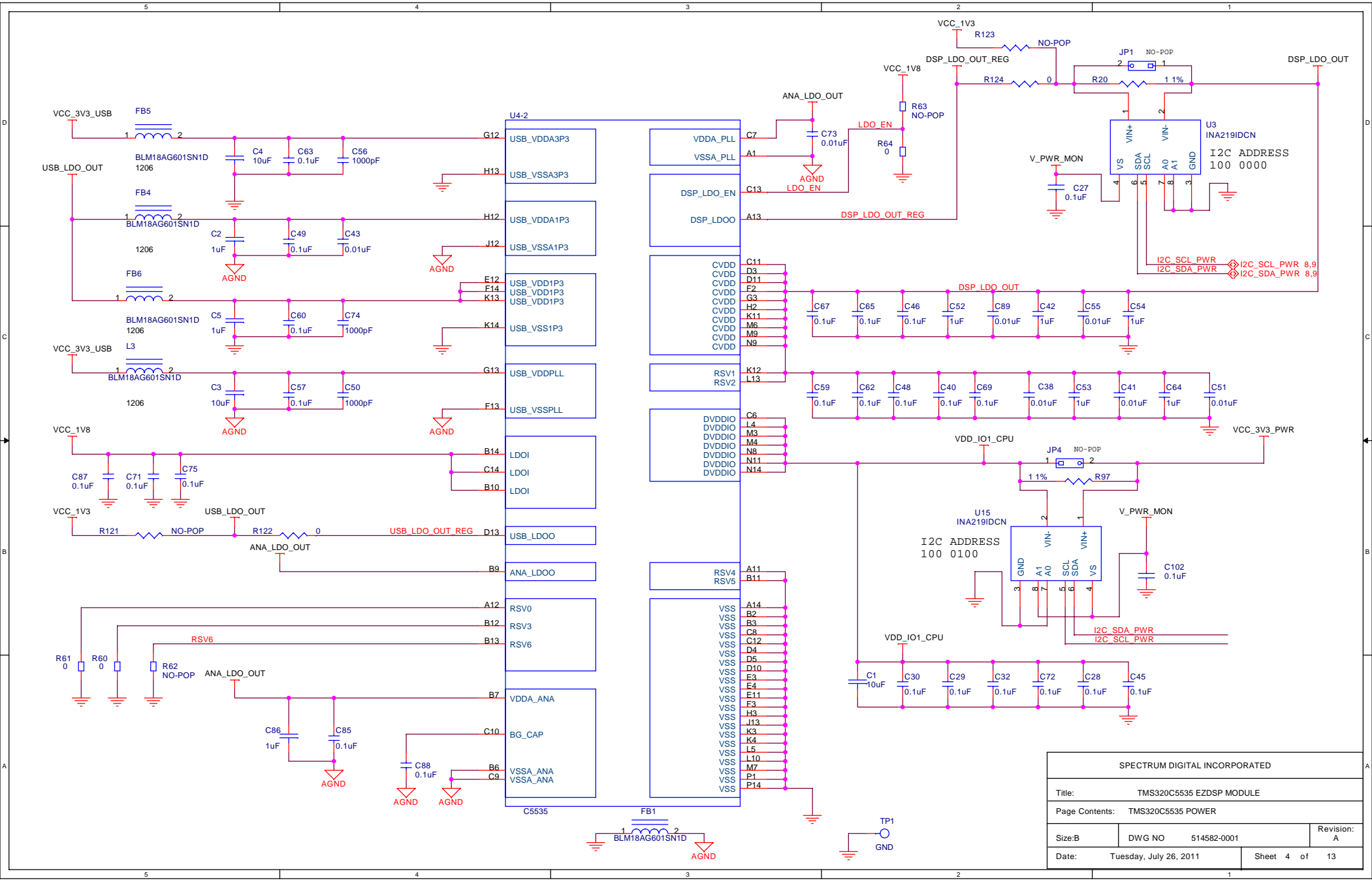


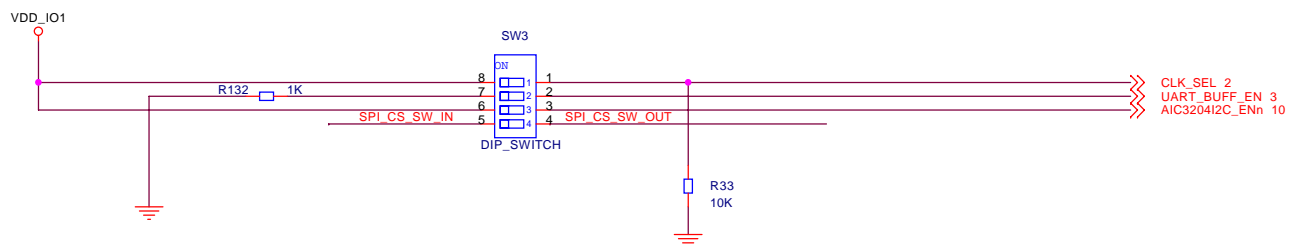
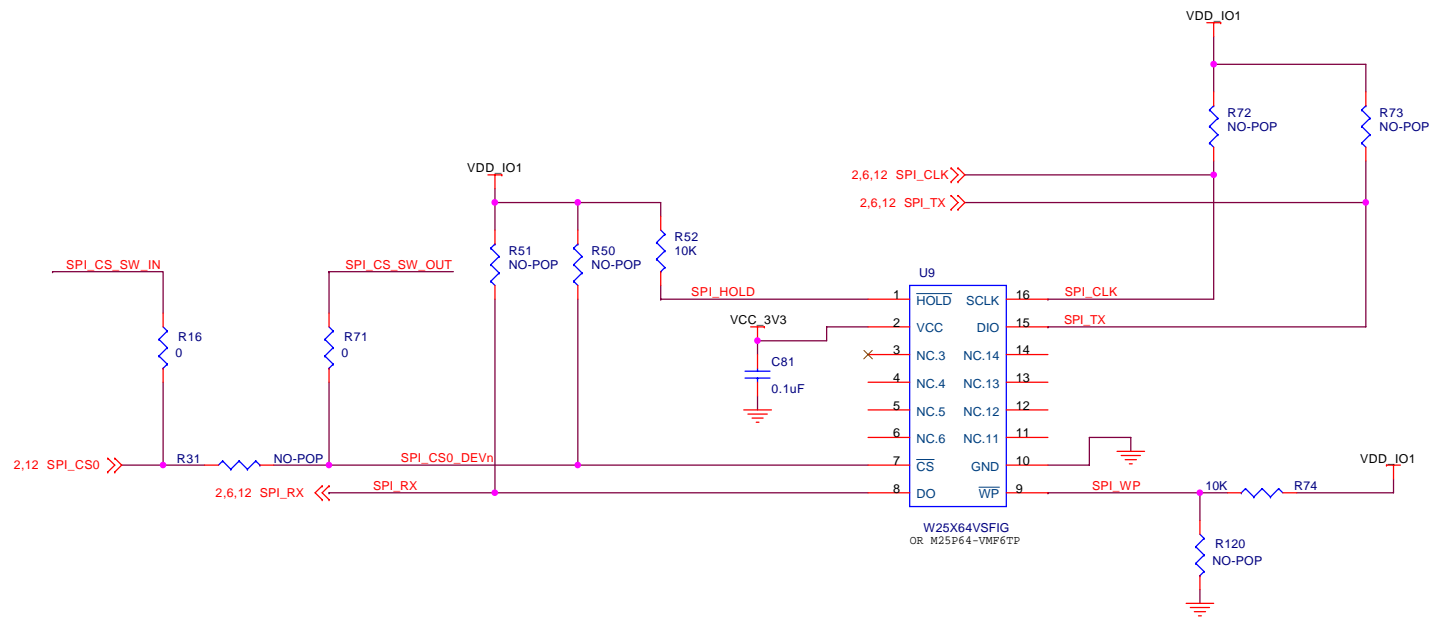
SPECTRUM DIGITAL INCORPORATED			
Title: TMS320C5535 EZDSP MODULE			
Page Contents: GPIO, MMC-SD, SPI, I2C, I2S			
Size: B	DWG NO: 514582-0001	Revision: B	
Date: Friday, July 22, 2011	Sheet 2 of 13		



SPECTRUM DIGITAL INCORPORATED			
Title: TMS320C5535 EZDSP MODULE			
Page Contents: UART BUFFER			
Size: B	DWG NO	514582-0001	Revision: A
Date:	Friday, July 22, 2011	Sheet 3 of	13



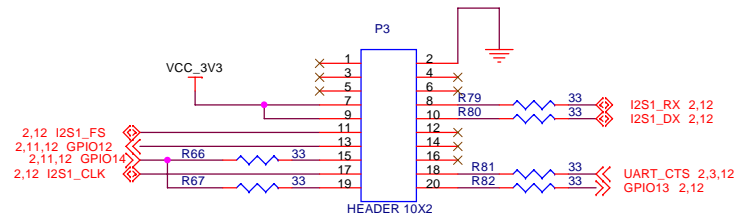
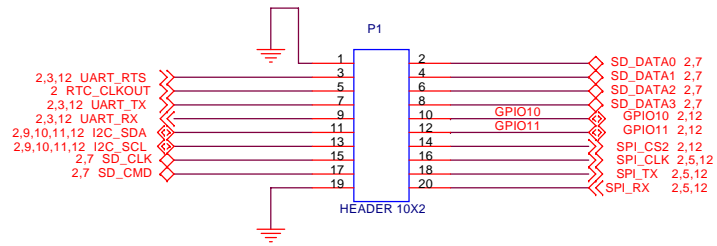
SPECTRUM DIGITAL INCORPORATED			
Title: TMS320C5535 EZDSP MODULE			
Page Contents: TMS320C5535 POWER			
Size: B	DWG NO: 514582-0001	Revision: A	
Date: Tuesday, July 26, 2011	Sheet 4 of 13		



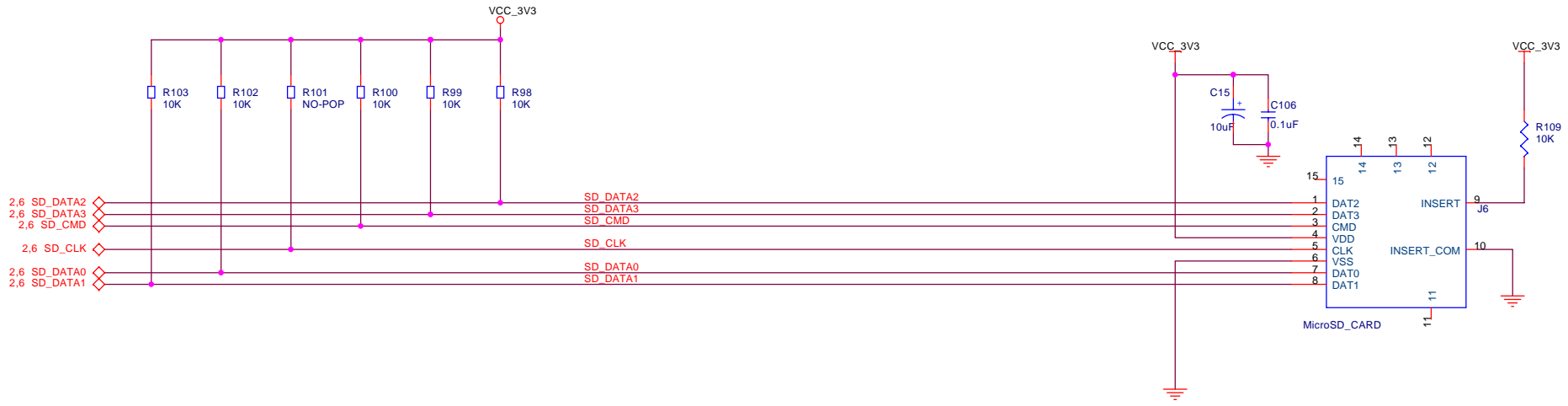
DIP Switch Defaults:  
 CLK\_SEL = OFF (pulled down)  
 UART\_BUFF\_EN = ON (pulled down)  
 AIC3204I2C\_ENn = OFF (pulled down)

SPECTRUM DIGITAL INCORPORATED			
Title: TMS320C5535 EZDSP MODULE			
Page Contents: SPI FLASH			
Size: B	DWG NO	514582-0001	Revision: C
Date:	Tuesday, July 26, 2011		Sheet 5 of 13

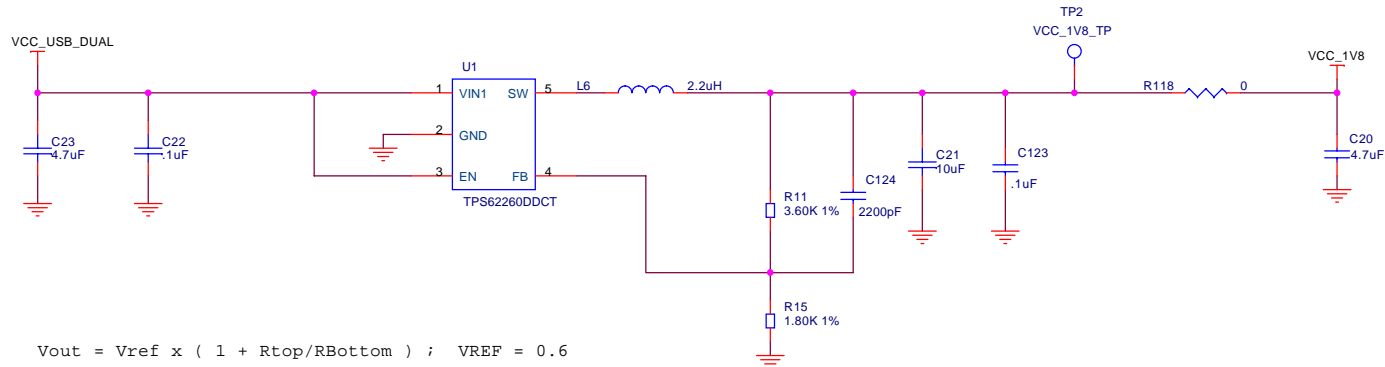
NOTE: DIMENSIONS AND LOCATIONS OF THESE CONNECTORS MUST MEET SPECIFICATION FOR INTERFACE MODULES



SPECTRUM DIGITAL INCORPORATED			
Title: TMS320C5535 EZDSP MODULE			
Page Contents: CC BOARD INTERFACE			
Size: B	DWG NO	514582-0001	Revision: A
Date:	Friday, July 22, 2011	Sheet 6 of	13

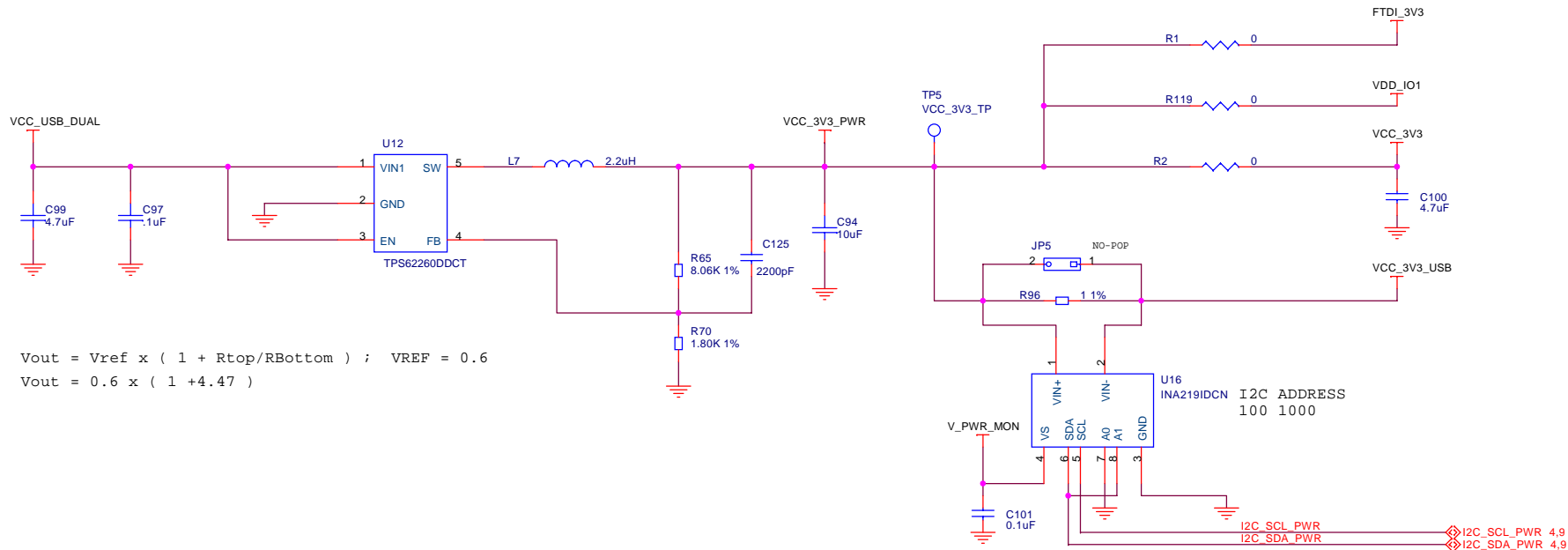


SPECTRUM DIGITAL INCORPORATED			
Title: TMS320C5535 EZDSP MODULE			
Page Contents: MICRO SD CONNECTOR			
Size: B	DWG NO	514582-0001	Revision: A
Date:	Friday, July 22, 2011	Sheet 7 of	13



$$V_{out} = V_{ref} \times (1 + R_{top}/R_{bottom}) ; \quad V_{REF} = 0.6$$

$$V_{out} = 0.6 \times (1 + 2)$$

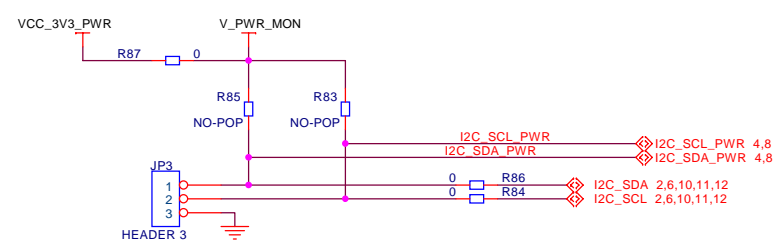
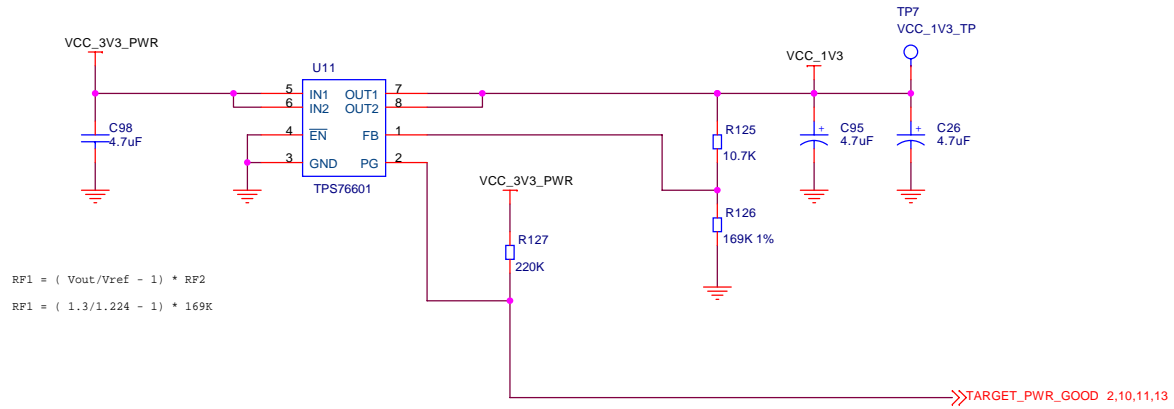


$$V_{out} = V_{ref} \times (1 + R_{top}/R_{bottom}) ; \quad V_{REF} = 0.6$$

$$V_{out} = 0.6 \times (1 + 4.47)$$

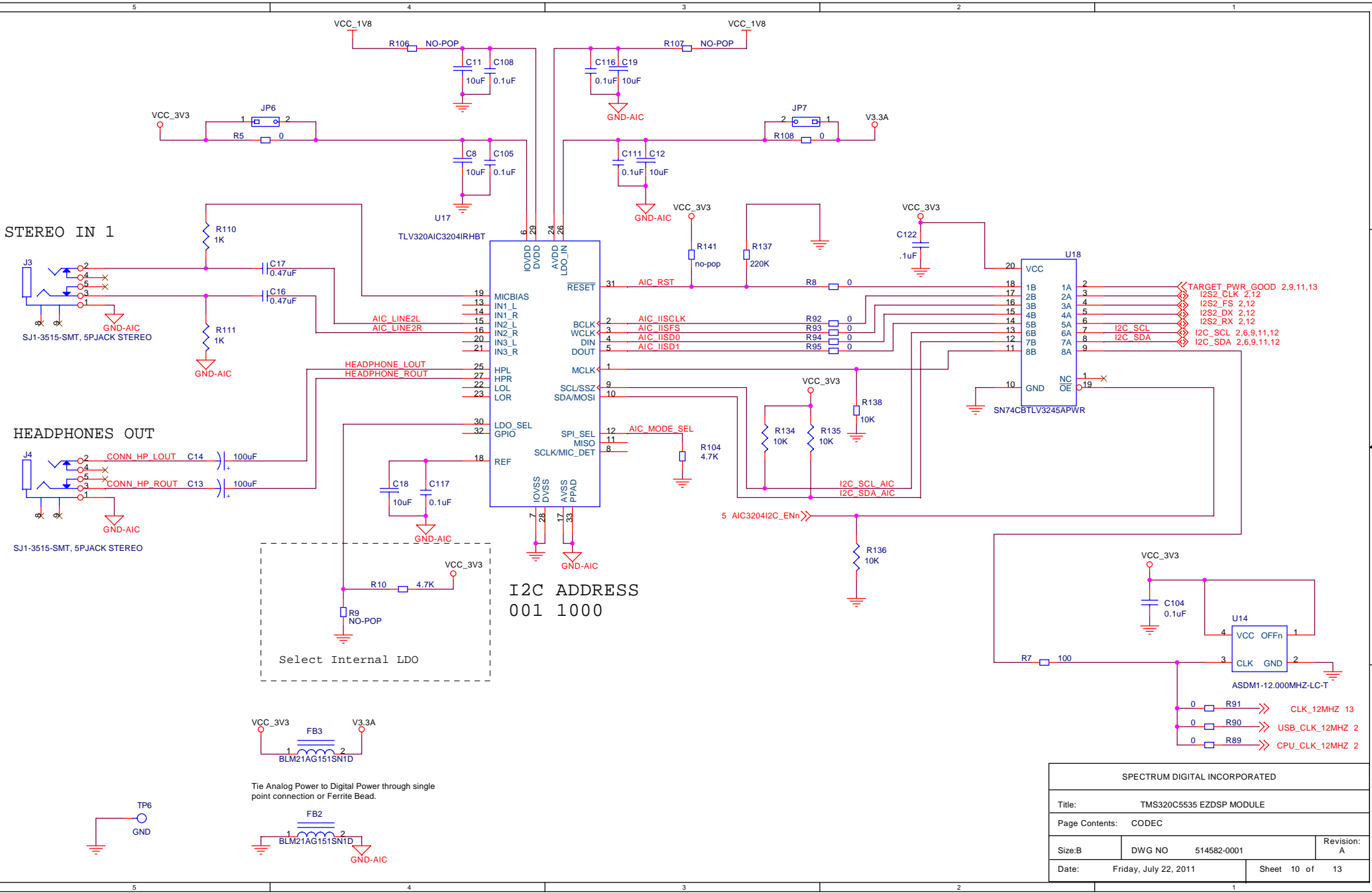
SPECTRUM DIGITAL INCORPORATED			
Title: TMS320C5535 EZDSP MODULE			
Page Contents: POWER MANAGEMENT			
Size: B	DWG NO	514582-0001	Revision: C
Date: Tuesday, July 26, 2011		Sheet 8 of 13	





**Power Monitor I2C Probe Point Headers**

SPECTRUM DIGITAL INCORPORATED			
Title: TMS320C5535 EZDSP MODULE			
Page Contents: POWER MANAGEMENT			
Size: B	DWG NO	514582-0001	Revision: A
Date:	Friday, July 22, 2011	Sheet 9	of 13

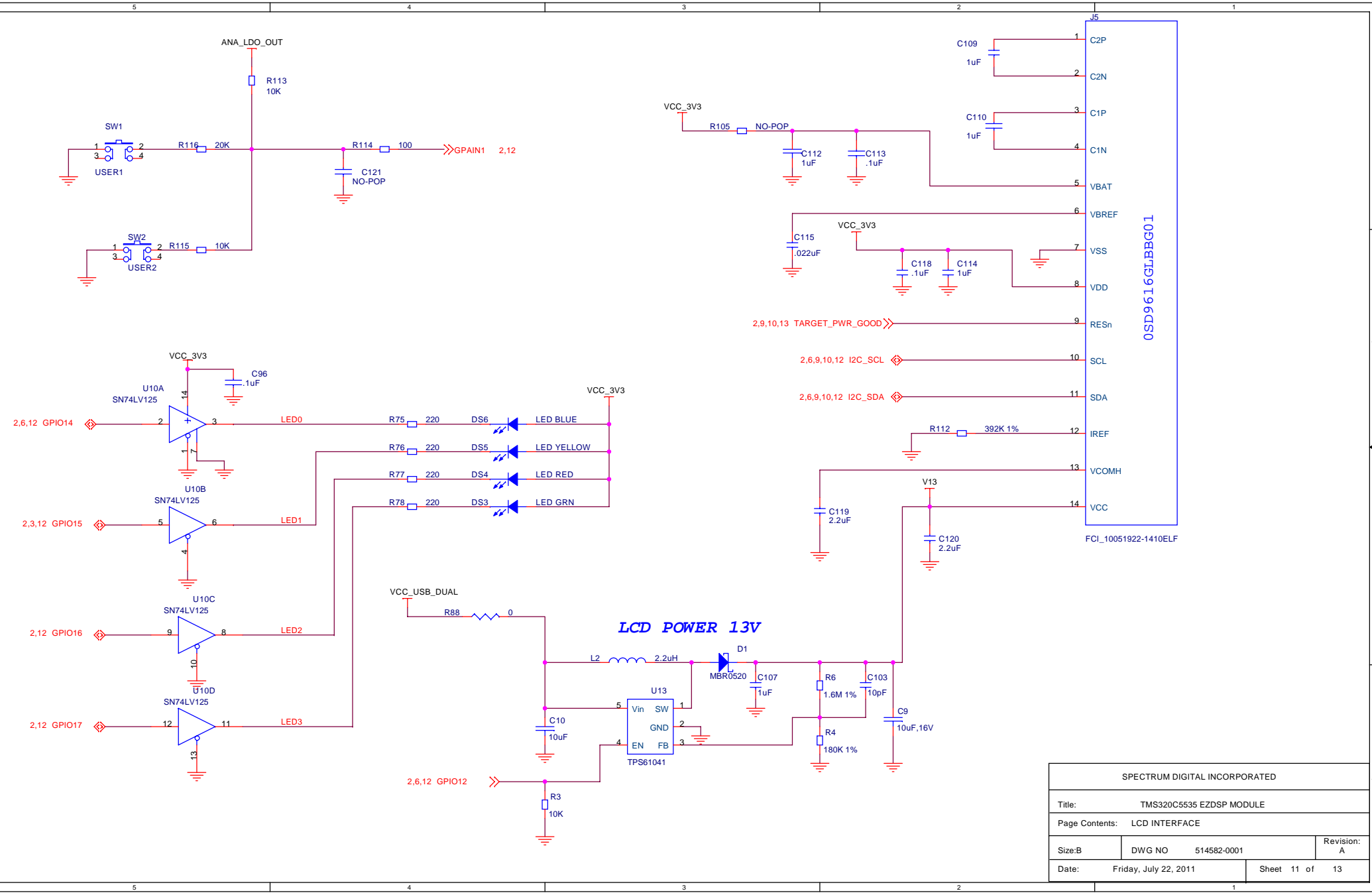


I2C ADDRESS  
001 1000

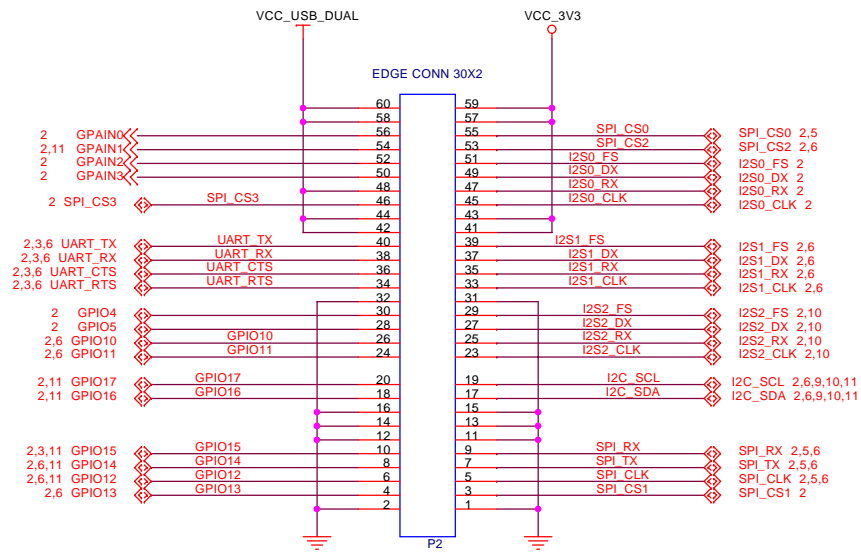
Select Internal LDO

Tie Analog Power to Digital Power through single point connection or Ferrite Bead.

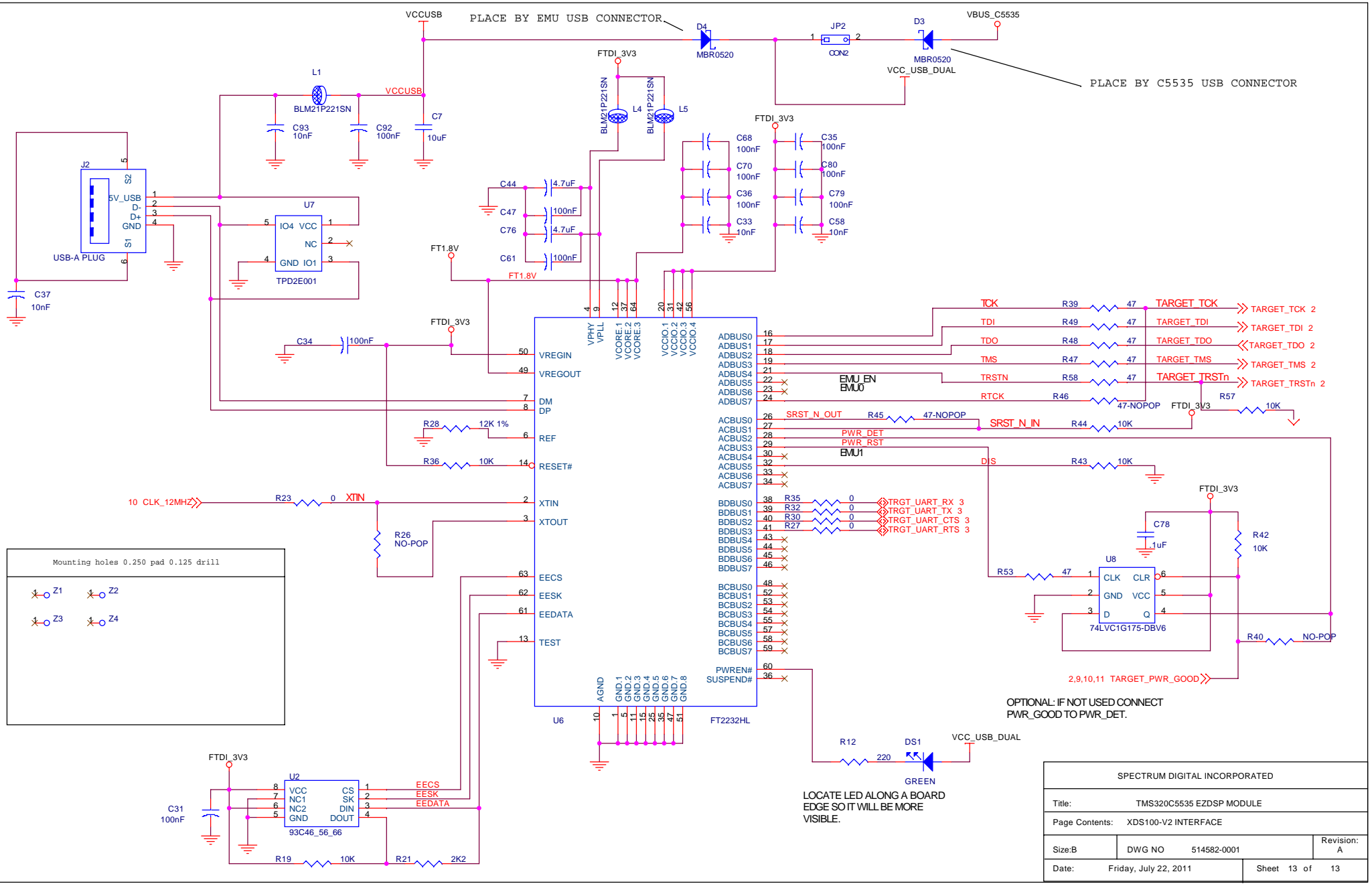
SPECTRUM DIGITAL INCORPORATED			
Title: TMS320C5535 EZDSP MODULE			
Page Contents: CODEC			
Size: B	DWG NO	514582-0001	Revision: A
Date:	Friday, July 22, 2011	Sheet 10 of	13



SPECTRUM DIGITAL INCORPORATED			
Title: TMS320C5535 EZDSP MODULE			
Page Contents: LCD INTERFACE			
Size: B	DWG NO: 514582-0001	Revision: A	
Date: Friday, July 22, 2011	Sheet 11 of 13		



SPECTRUM DIGITAL INCORPORATED			
Title: TMS320C5535 EZDSP MODULE			
Page Contents: EXPANSION CONNECTORS			
Size: B	DWG NO	514582-0001	Revision: A
Date:	Friday, July 22, 2011		Sheet 12 of 13



Mounting holes 0.250 pad 0.125 drill

Z1	Z2
Z3	Z4

SPECTRUM DIGITAL INCORPORATED			
Title: TMS320C5535 EZDSP MODULE			
Page Contents: XDS100-V2 INTERFACE			
Size: B	DWG NO: 514582-0001	Revision: A	
Date: Friday, July 22, 2011	Sheet 13 of 13		