

NOTES, UNLESS OTHERWISE SPECIFIED:

1. RESISTANCE VALUES IN OHMS.
2. CAPACITANCE VALUES IN MICROFARADS.
3. REFERENCE DESIGNATORS USED:
4. ALL 0.1 uF AND 0.01uF CAPACITORS ARE DECOUPLING CAPS UNLESS OTHERWISE NOTED. THEY ARE SHOWN ON THE PAGE WITH THE INTEGRATED CIRCUITS THEY SHOULD BE PLACED NEAR.

REVISIONS			
Revision	DESCRIPTION	DATE	APPROVED
A	Initial Release.	5/15/09	
B	Changed USB Connector to type A, added Capacitance to 1.3Volt supply to reduce VCore Ripple	6/22/09	
C	Modified expansion connector footprint to 60 pins	10/15/09	

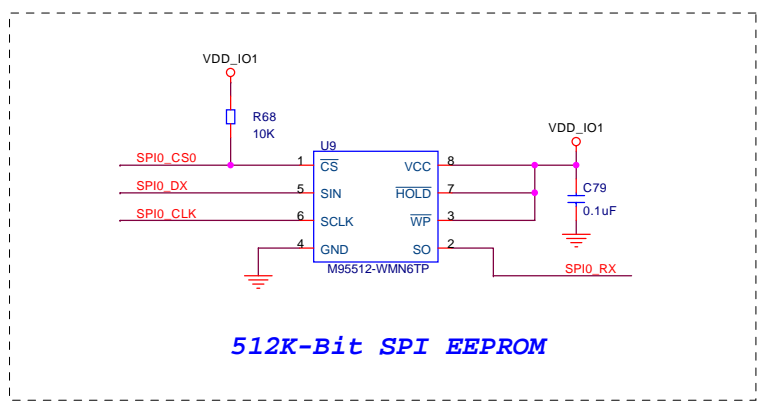
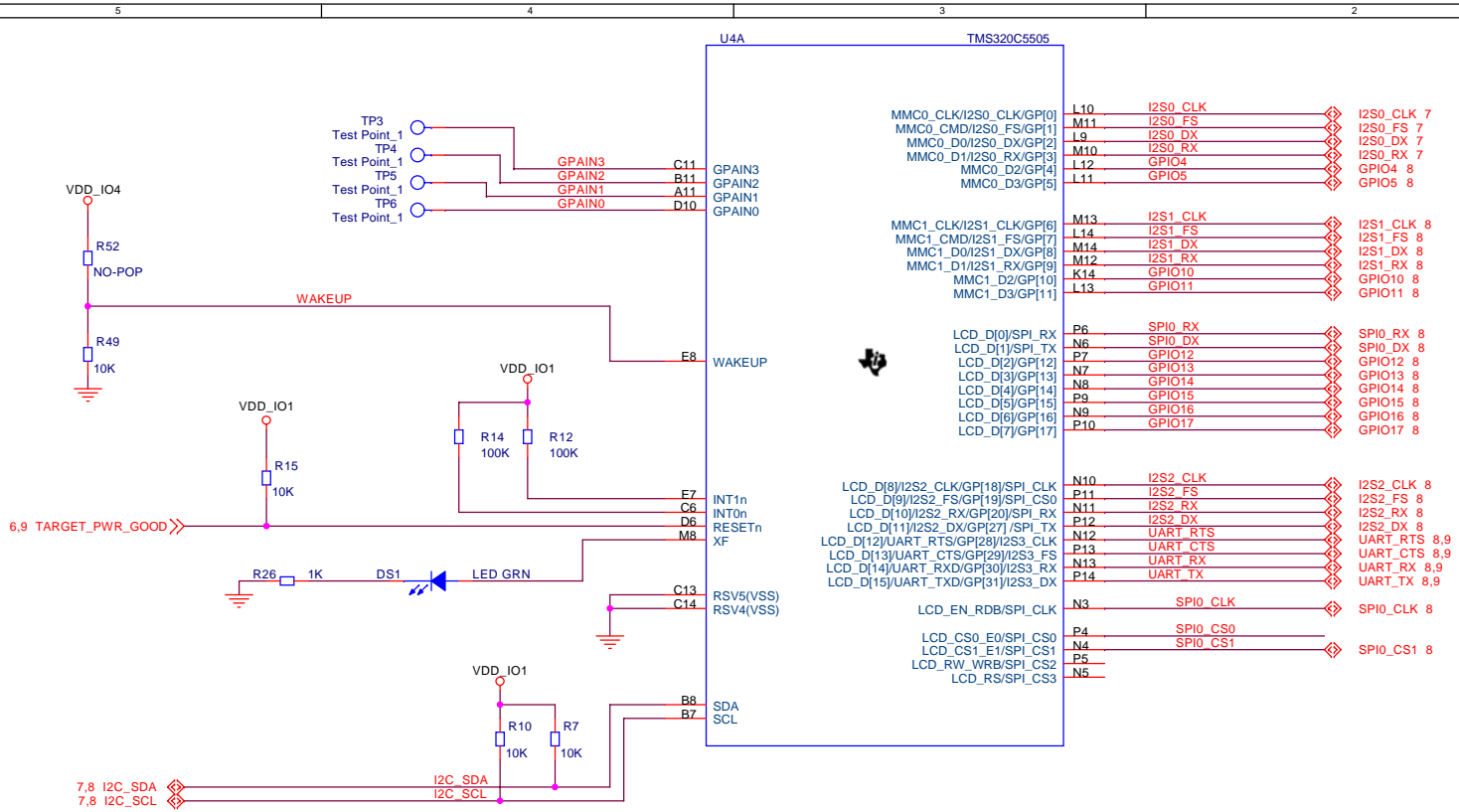
Schematic Contents

- 01 - TITLE PAGE
- 02 - TMS320C5505 GPIO / MMC / SPI / I2C -- SPI EEPROM
- 03 - TMS320C5505 CLOCKS / JTAG / USB
- 04 - TMS320C5505 EMIF
- 05 - TMS320C5505 Power
- 06 - POWER 3V3, 1V3
- 07 - CODEC
- 08 - EXPANSION CONNECTOR
- 09 - XDS100 INTERFACE

REVISION STATUS OF SHEETS

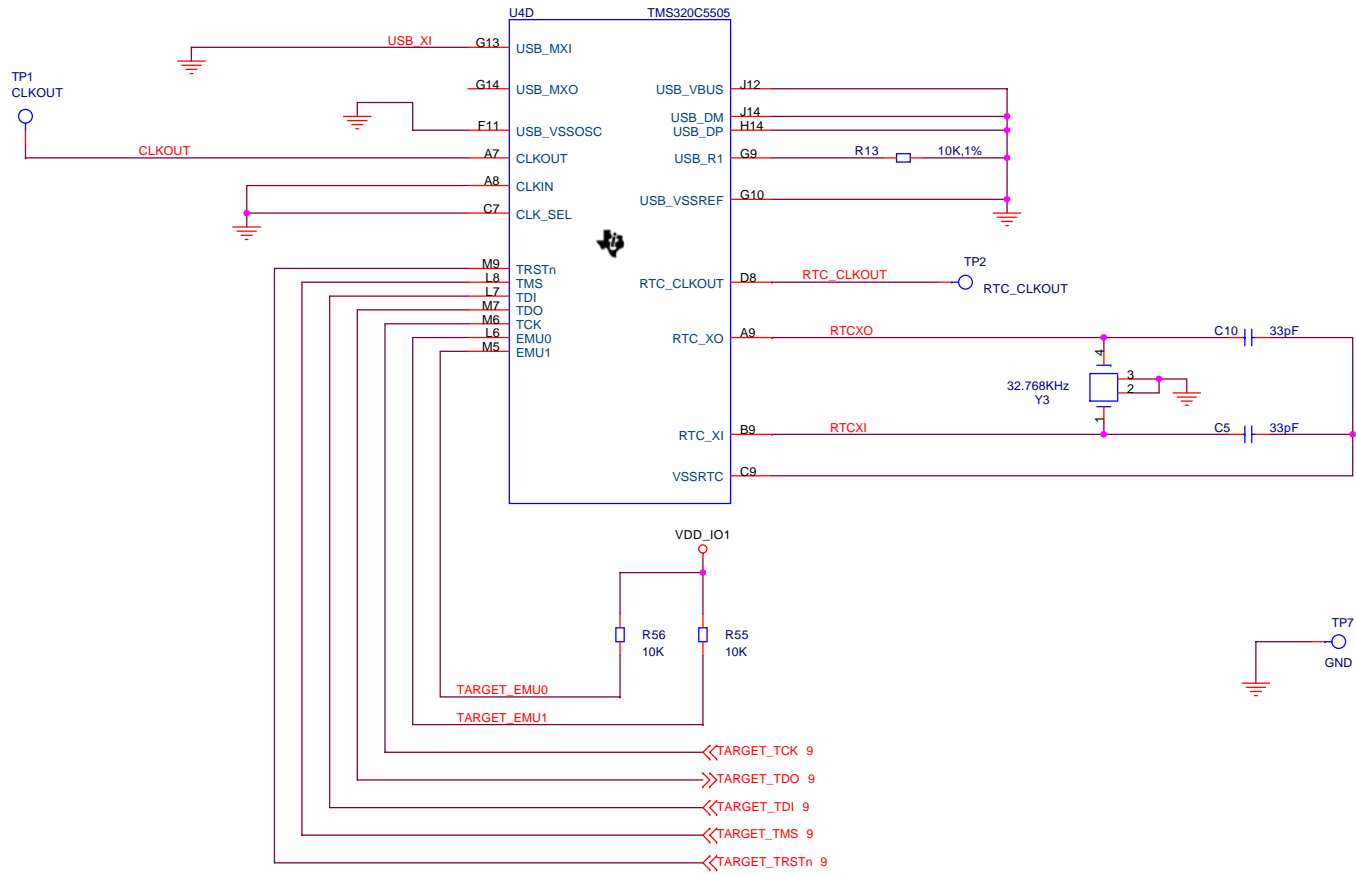
REV	D	A	A	A	A	A	A	C	A											
SHEET																				
REV																				
SHEET																				
REV																				
SHEET																				
REV	D	A	A	A	A	A	A	C	A		NEXT ASSY	USED ON								
SHEET	1	2	3	4	5	6	7	8	9		APPLICATION									

SPECTRUM DIGITAL INCORPORATED			
Title: TMS320C5505 eZDSP USB Stick			
Page Contents: TITLE SHEET			
Size: B	DWG NO	512322-0001	Revision: D
Date: Tuesday, August 17, 2010		Sheet 1 of 9	

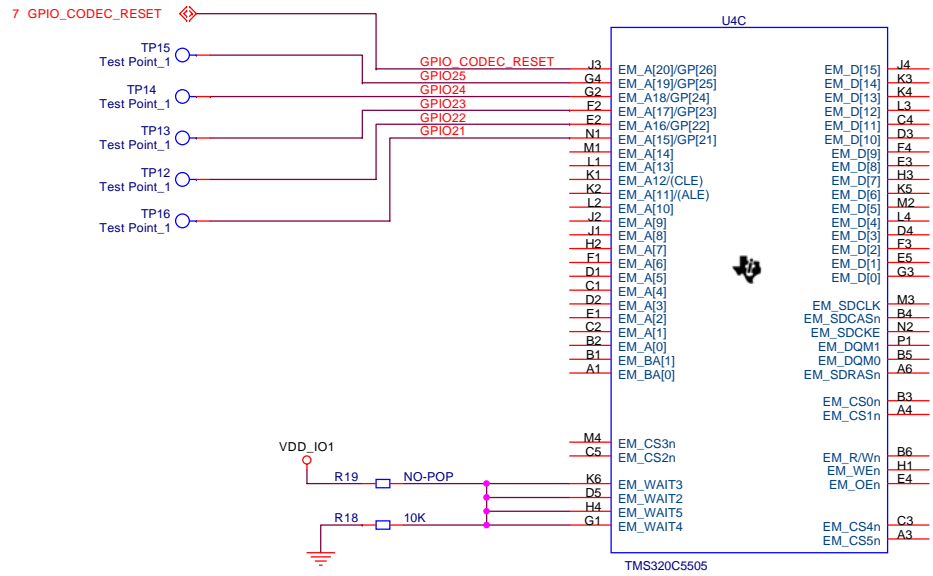


512K-Bit SPI EEPROM

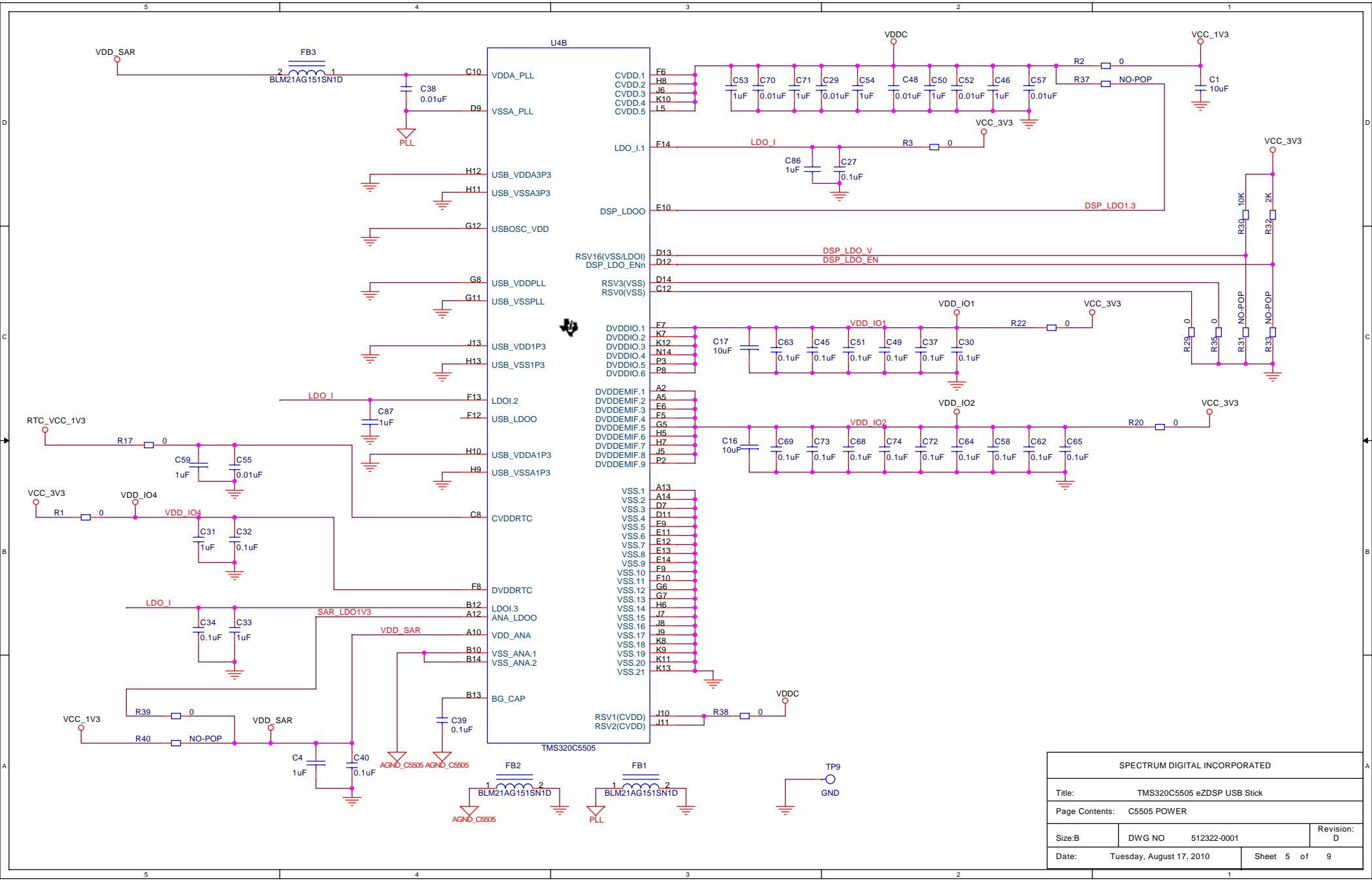
SPECTRUM DIGITAL INCORPORATED			
Title: TMS320C5505 eZDSP USB Stick			
Page Contents: GPIO,MMC-SD,SPI,I2C,I2S			
Size:B	DWG NO	512322-0001	Revision: A
Date:	Tuesday, August 17, 2010	Sheet 2 of	9



SPECTRUM DIGITAL INCORPORATED			
Title: TMS320C5505 eZDSP USB Stick			
Page Contents: CLOCK,JTAG,USB			
Size: B	DWG NO	512322-0001	Revision: B
Date:	Tuesday, August 17, 2010		Sheet 3 of 9

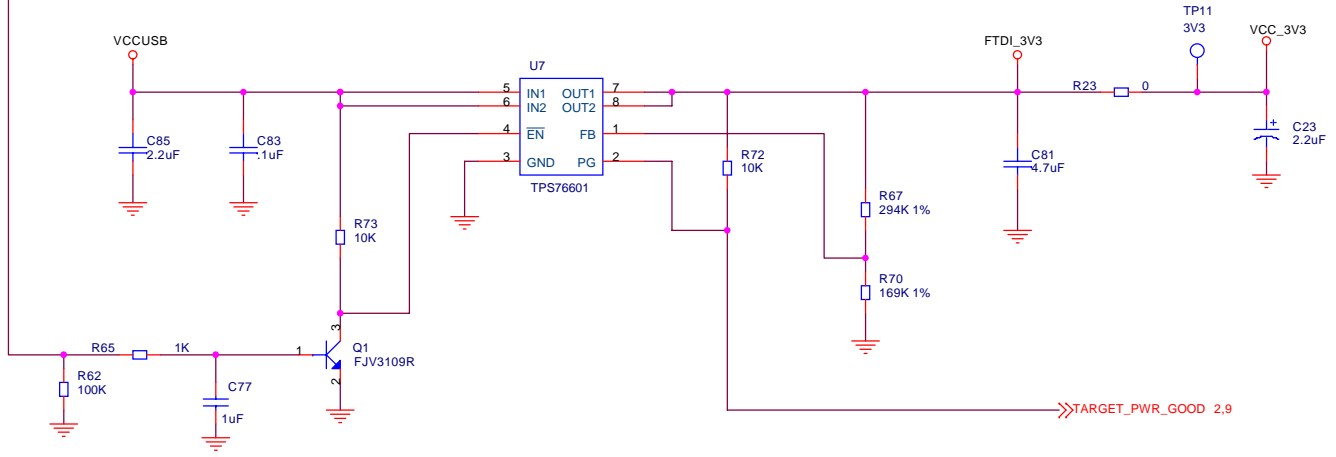
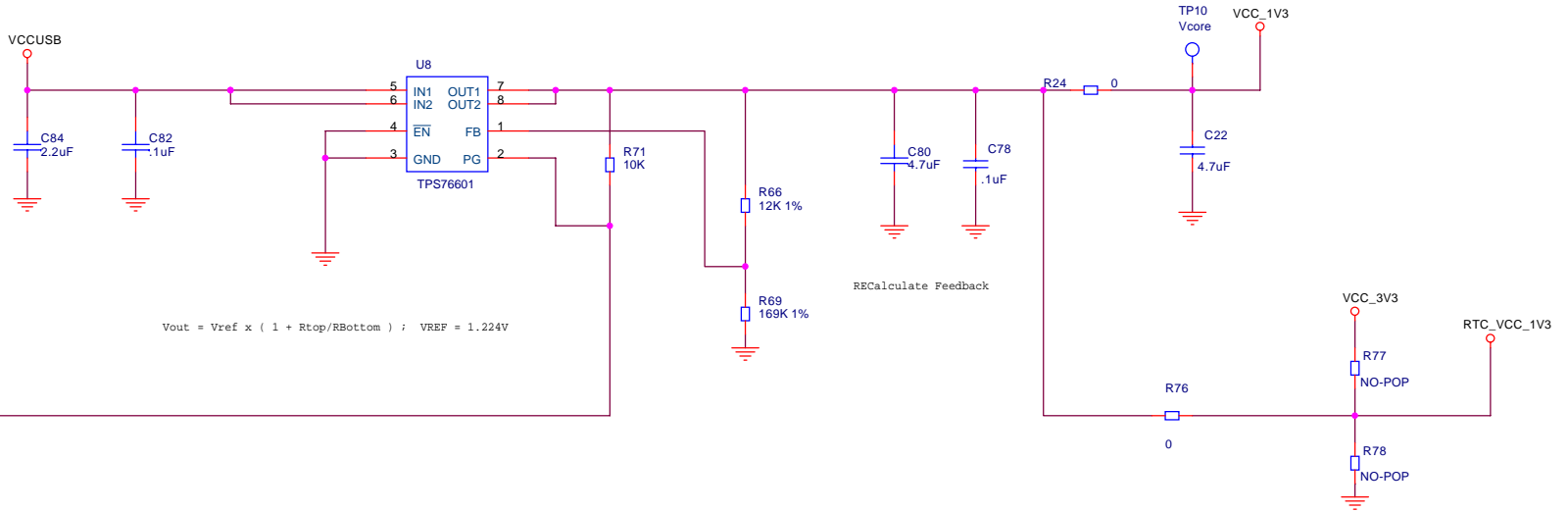


SPECTRUM DIGITAL INCORPORATED			
Title: TMS320C5505 eZDSP USB Stick			
Page Contents: CS505 EMIF			
Size: B	DWG NO	512322-0001	Revision: A
Date:	Tuesday, August 17, 2010		Sheet 4 of 9



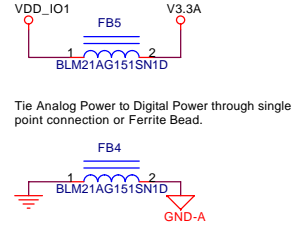
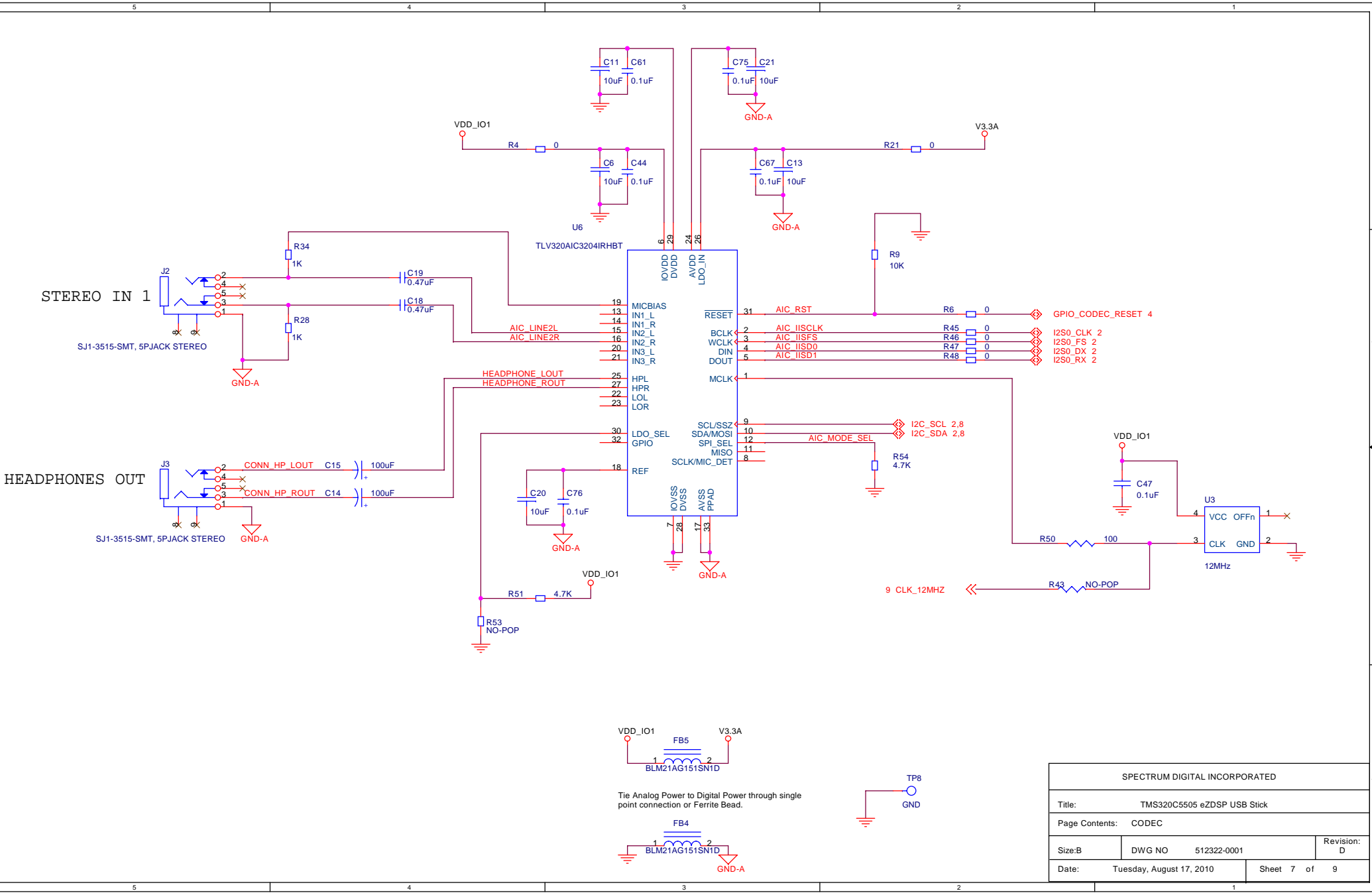
SPECTRUM DIGITAL INCORPORATED			
Title: TMS320C5505 eZDSP USB Stick			
Page Contents: C5505 POWER			
Size: B	DWG NO	512322-0001	Revision: D
Date:	Tuesday, August 17, 2010	Sheet 5 of 9	

5 4 3 2 1

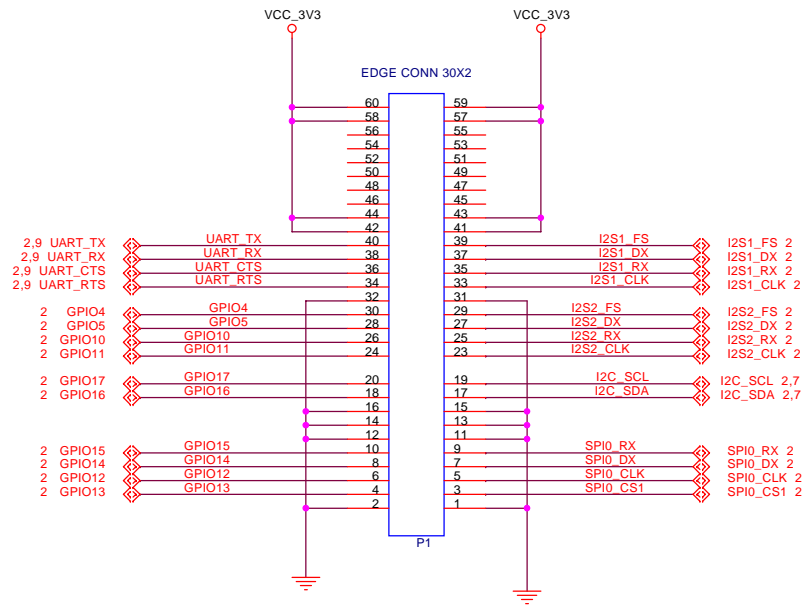


SPECTRUM DIGITAL INCORPORATED			
Title: TMS320C5505 eZDSP USB Stick			
Page Contents: POWER, 3V3, 1V3			
Size: B	DWG NO	512322-0001	Revision: D
Date:	Tuesday, August 17, 2010	Sheet 6 of	9

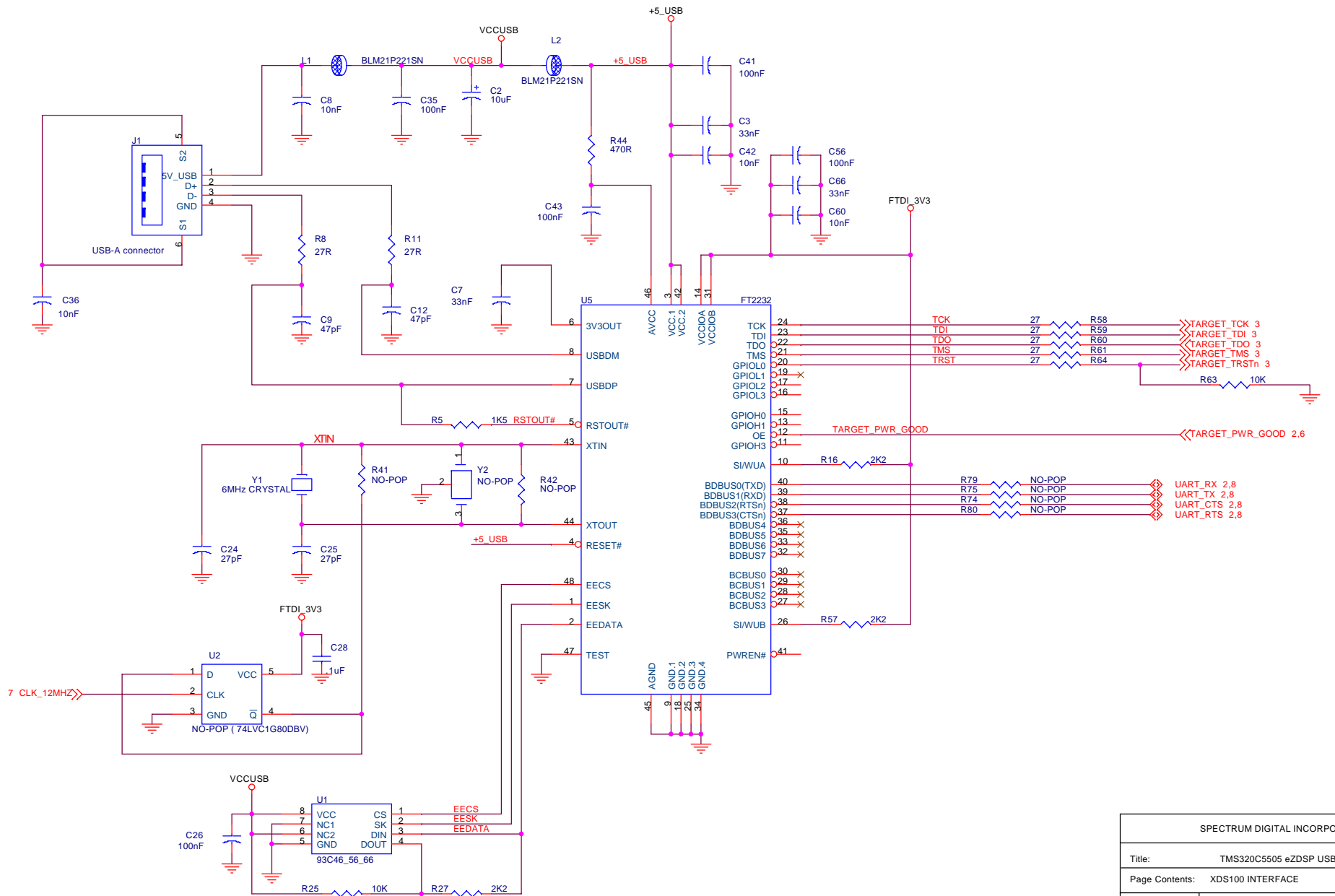
5 4 3 2 1



SPECTRUM DIGITAL INCORPORATED			
Title: TMS320C5505 eZDSP USB Stick			
Page Contents: CODEC			
Size: B	DWG NO: 512322-0001	Revision: D	
Date: Tuesday, August 17, 2010	Sheet 7 of 9		



SPECTRUM DIGITAL INCORPORATED			
Title: TMS320C5505 eZDSP USB Stick			
Page Contents: EXPANSION CONNECTORS			
Size: B	DWG NO	512322-0001	Revision: C
Date:	Tuesday, August 17, 2010		Sheet 8 of 9



SPECTRUM DIGITAL INCORPORATED			
Title: TMS320C5505 eZDSP USB Stick			
Page Contents: XDS100 INTERFACE			
Size: B	DWG NO	512322-0001	Revision: B
Date:	Thursday, August 19, 2010	Sheet 9 of 9	