

NOTES, UNLESS OTHERWISE SPECIFIED:

1. RESISTANCE VALUES IN OHMS.
2. CAPACITANCE VALUES IN MICROFARADS.
3. REFERENCE DESIGNATORS USED:
4. ALL 0.1 uF AND 0.01uF CAPACITORS ARE DECOUPLING CAPS UNLESS OTHERWISE NOTED. THEY ARE SHOWN ON THE PAGE WITH THE INTEGRATED CIRCUITS THEY SHOULD BE PLACED NEAR.

REV	DESCRIPTION	DATE	APPROVED
A	Initial schematic for layout	10/15/2009	RRP

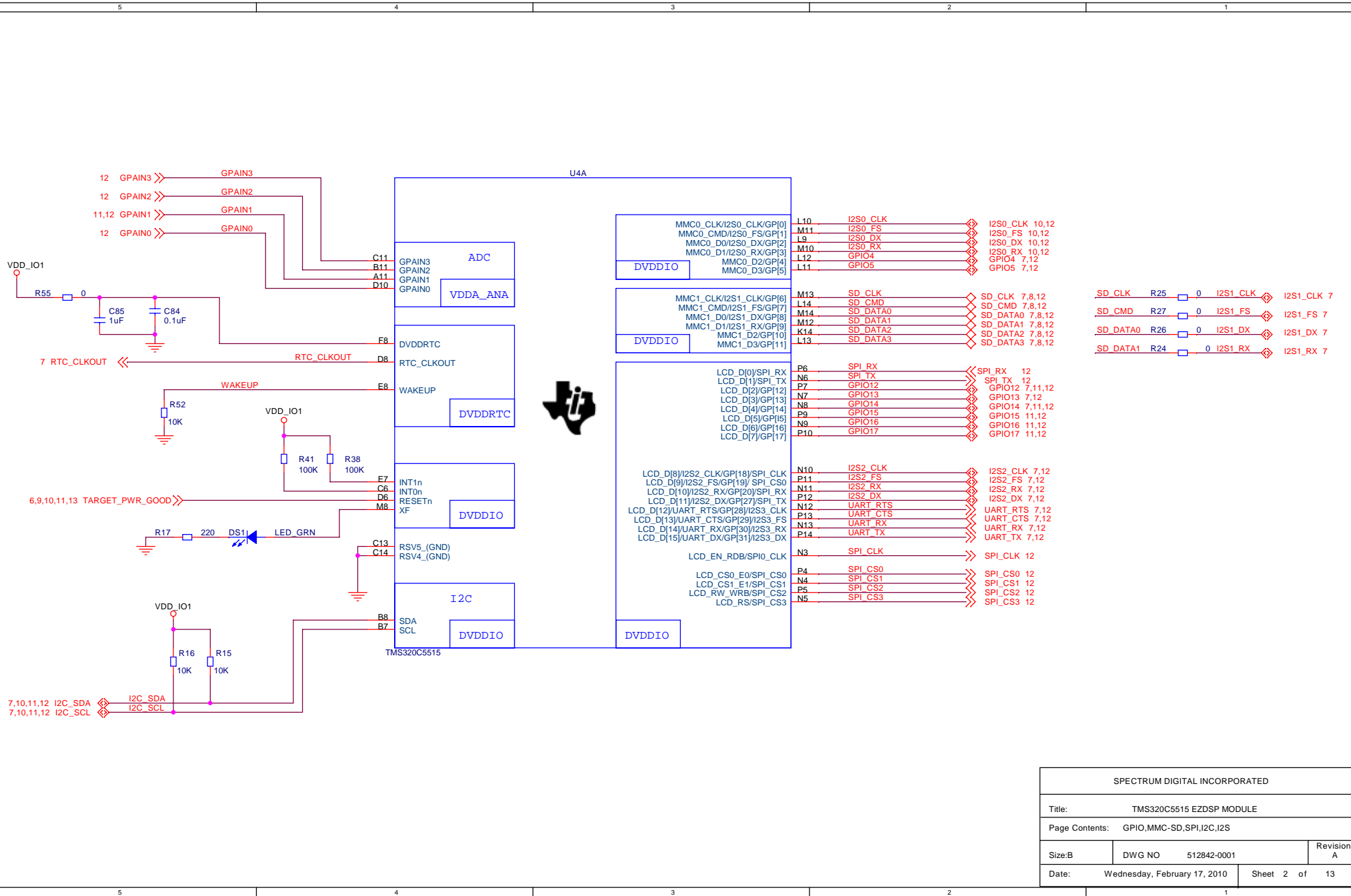
SCHMATIC CONTENTS

- 01 - TITLE PAGE
- 02 - TMS320C5515 GPIO/MMC/SPI/I2C
- 03 - TMS320C5515 CLK/JTAG/USB2
- 04 - TMS320C5515 EMIF
- 05 - TMS320C5515 POWER
- 06 - NOR FLASH
- 07 - CC BOARD INTERFACE
- 08 - MICRO SD INTERFACE
- 09 - POWER SUPPLIES
- 10 - AUDIO CODEC
- 11 - LCD/USER LEDS/SWITCHES
- 12 - EXPANSION CONNECTOR
- 13 - XDS100 INTERFACE

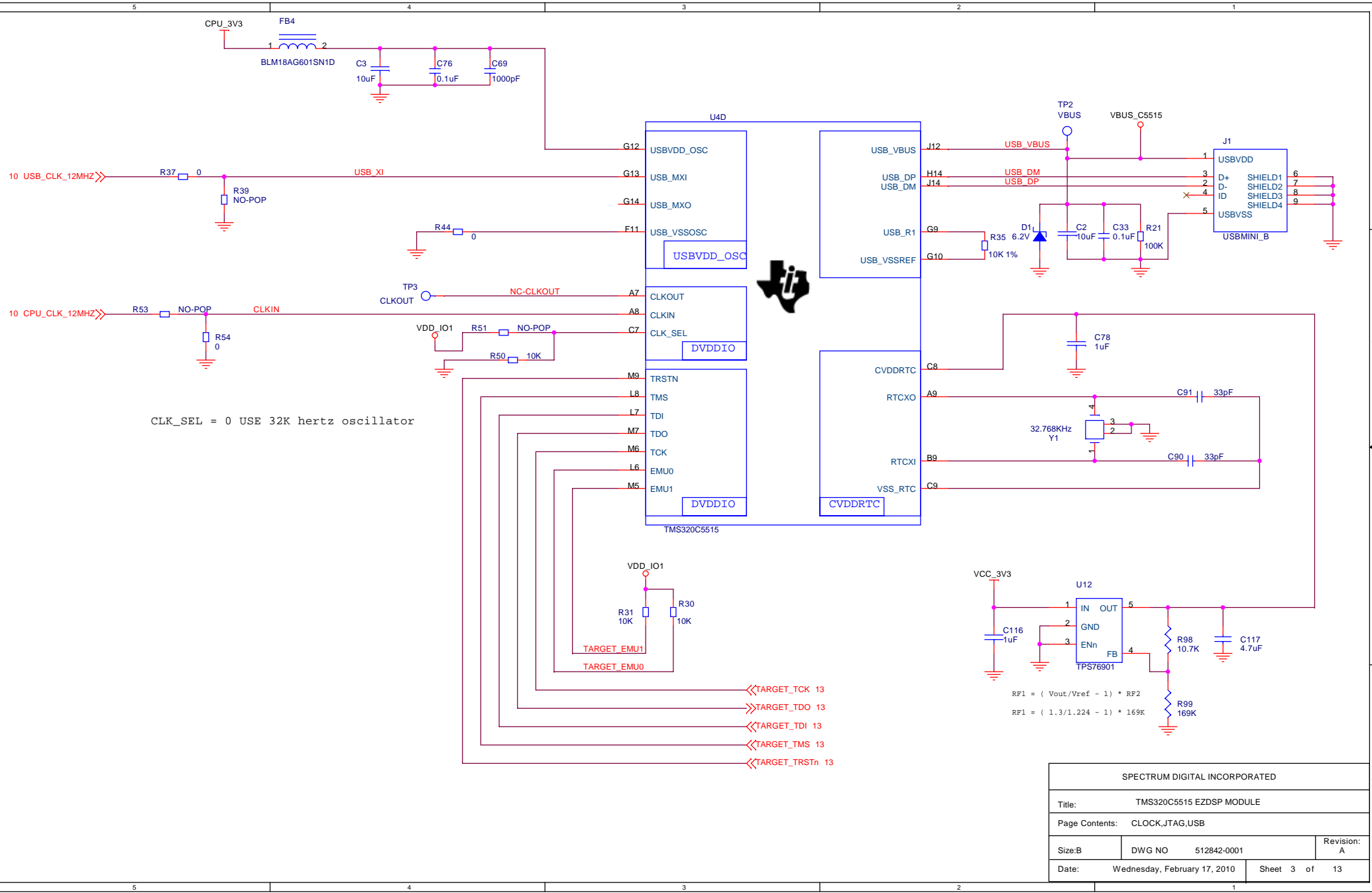
REVISION STATUS OF SHEETS

REV	SHEET	1	2	3	4	5	6	7	8	9	10	APPLICATION	USED ON	DATE
														DWN R.R.P. 10/15/2009
														CHK T.W.K. 10/15/2009
														ENGR R.R.P. 10/15/2009
														ENGR-MGR R.R.P. 10/15/2009
														QA C.M.D. 10/15/2009
														MFG R.R.P. 10/15/2009
														RLSE R.R.P. 10/15/2009

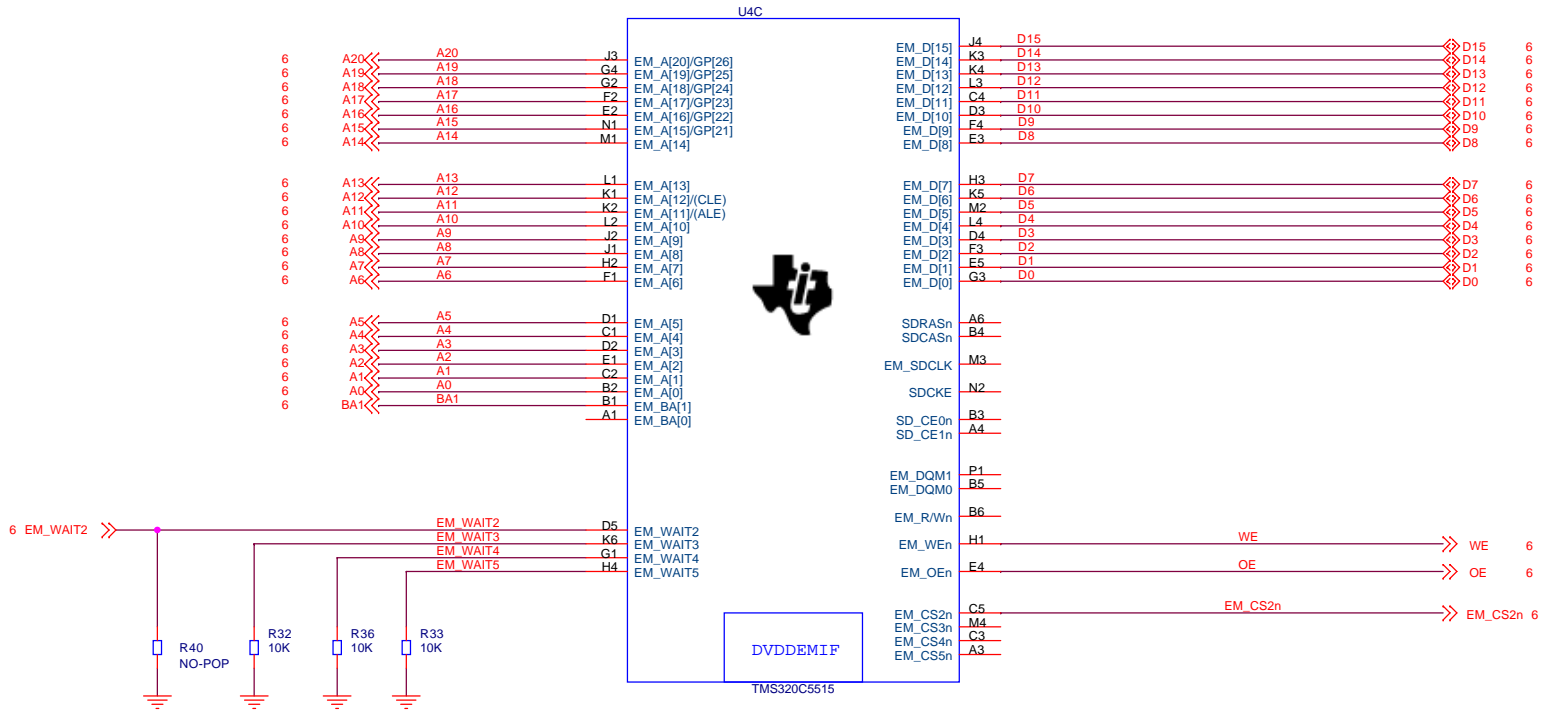
SPECTRUM DIGITAL INCORPORATED			
Title: TMS320C5515 EZDSP MODULE			
Page Contents: TITLE SHEET			
Size:B	DWG NO	512842-0001	Revision: A
Date:	Wednesday, February 17, 2010		Sheet 1 of 13



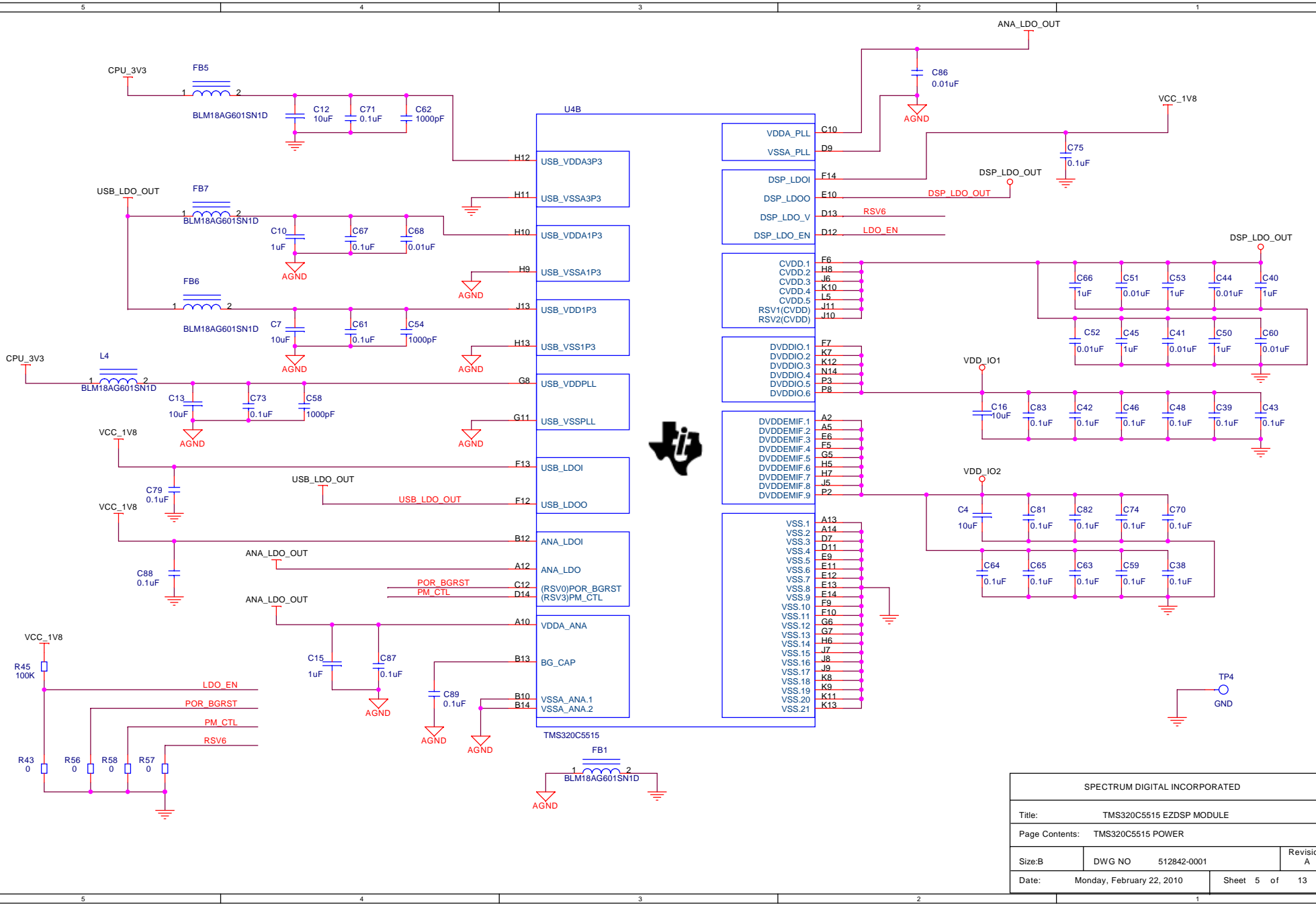
SPECTRUM DIGITAL INCORPORATED			
Title: TMS320C5515 EZDSP MODULE			
Page Contents: GPIO,MMC-SD,SPI,I2C,I2S			
Size: B	DWG NO	512842-0001	Revision: A
Date:	Wednesday, February 17, 2010	Sheet 2 of	13



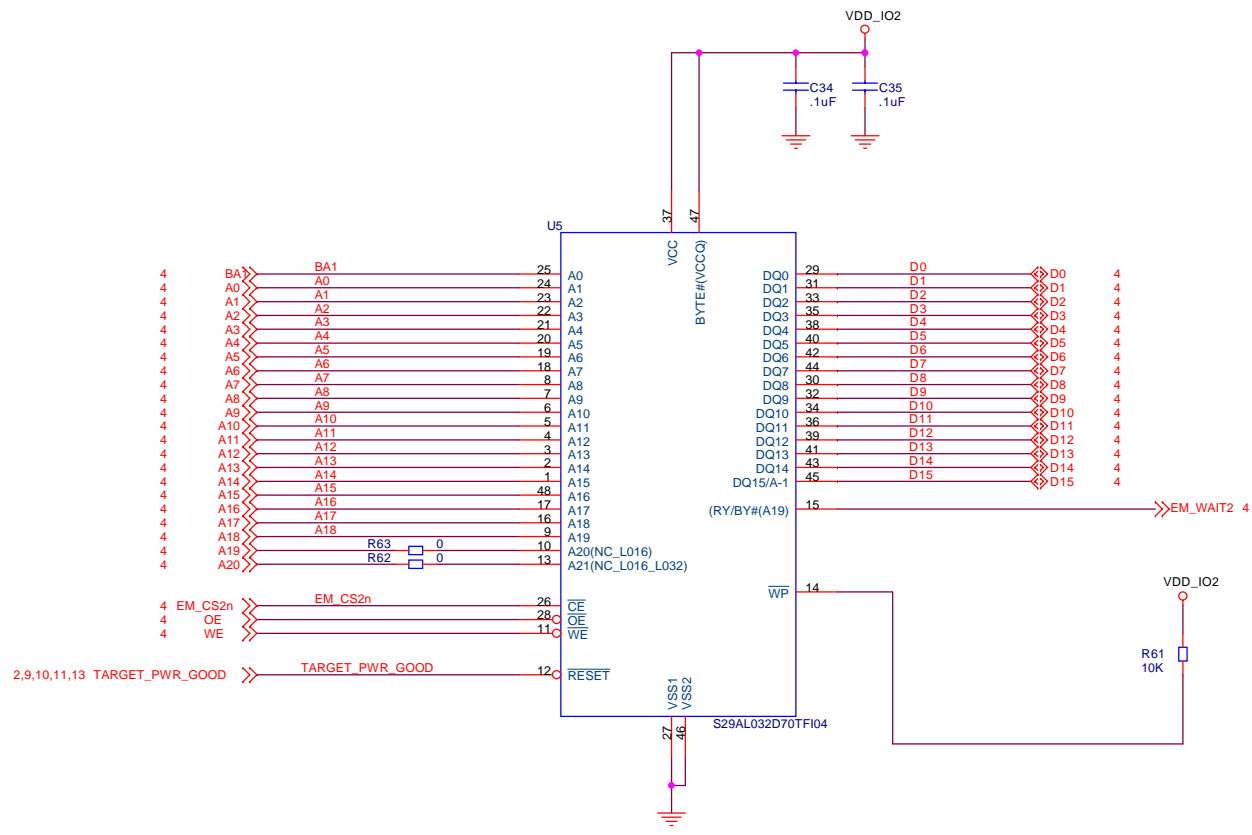
SPECTRUM DIGITAL INCORPORATED			
Title: TMS320C5515 EZDSP MODULE			
Page Contents: CLOCK,JTAG,USB			
Size:B	DWG NO	512842-0001	Revision: A
Date:	Wednesday, February 17, 2010	Sheet 3 of	13



SPECTRUM DIGITAL INCORPORATED			
Title: TMS320C5515 EZDSP MODULE			
Page Contents: TMS320C5515 EMIF			
Size: B	DWG NO	512842-0001	Revision: A
Date:	Wednesday, February 17, 2010	Sheet 4 of	13

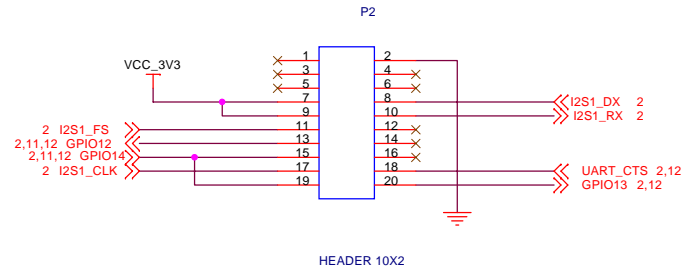
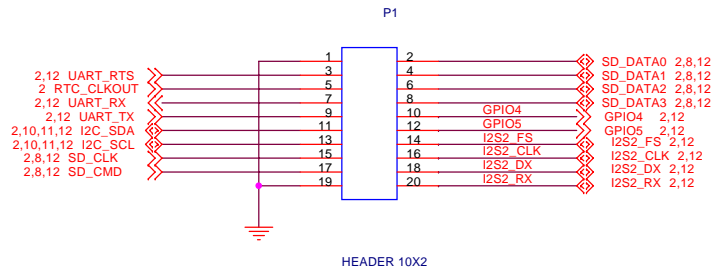


SPECTRUM DIGITAL INCORPORATED			
Title: TMS320C5515 EZDSP MODULE			
Page Contents: TMS320C5515 POWER			
Size: B	DWG NO	512842-0001	Revision: A
Date:	Monday, February 22, 2010	Sheet 5 of	13

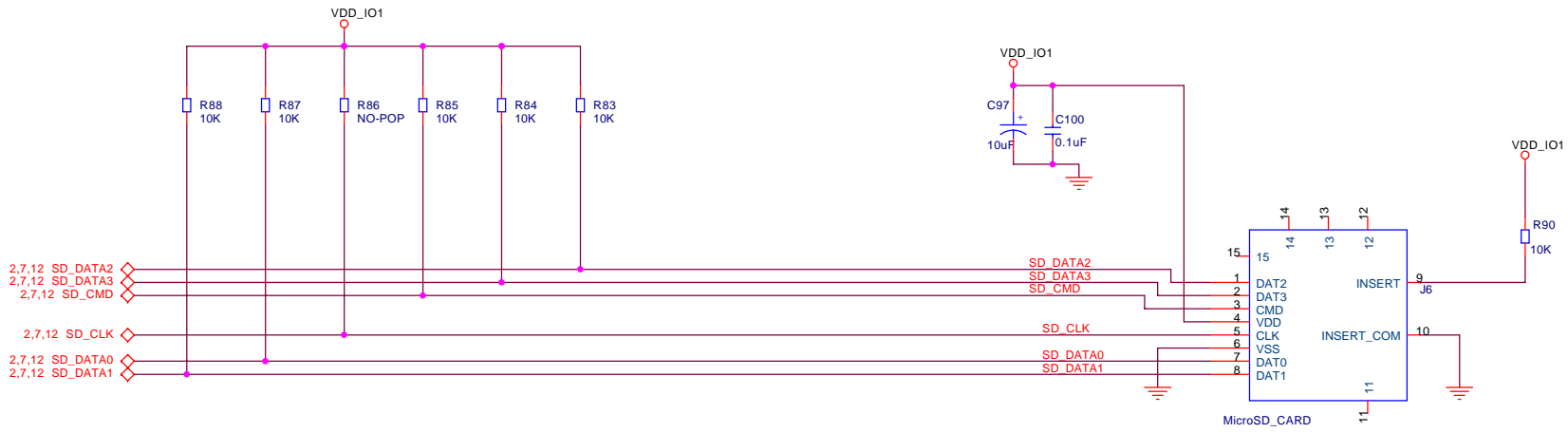


SPECTRUM DIGITAL INCORPORATED			
Title: TMS320C5515 EZDSP MODULE			
Page Contents: NOR FLASH			
Size: B	DWG NO	512842-0001	Revision: A
Date:	Wednesday, February 17, 2010	Sheet 6 of	13

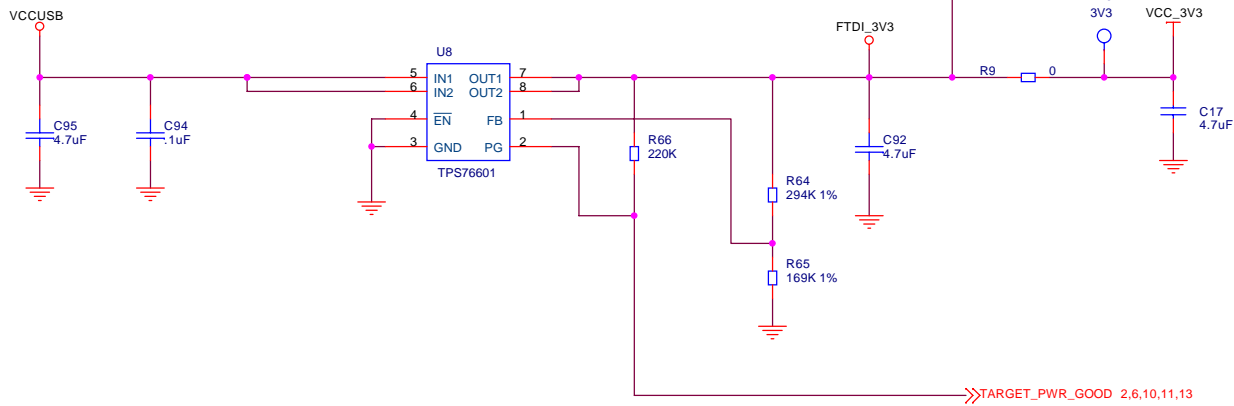
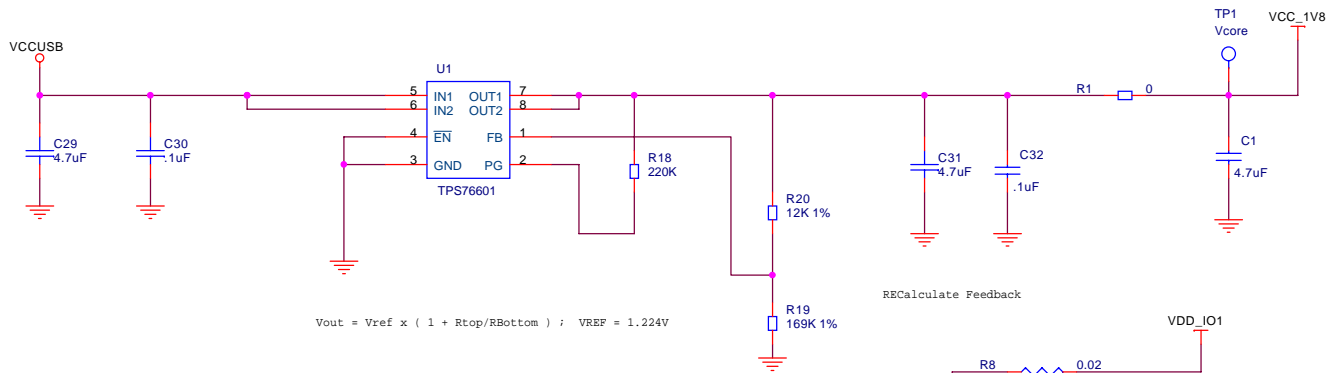
NOTE: DIMENSIONS AND LOCATIONS OF THESE CONNECTORS MUST MEET SPECIFICATION FOR INTERFACE MODULES



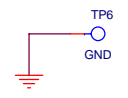
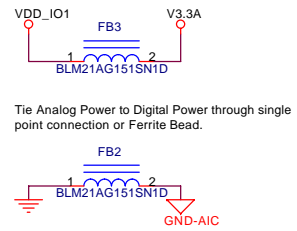
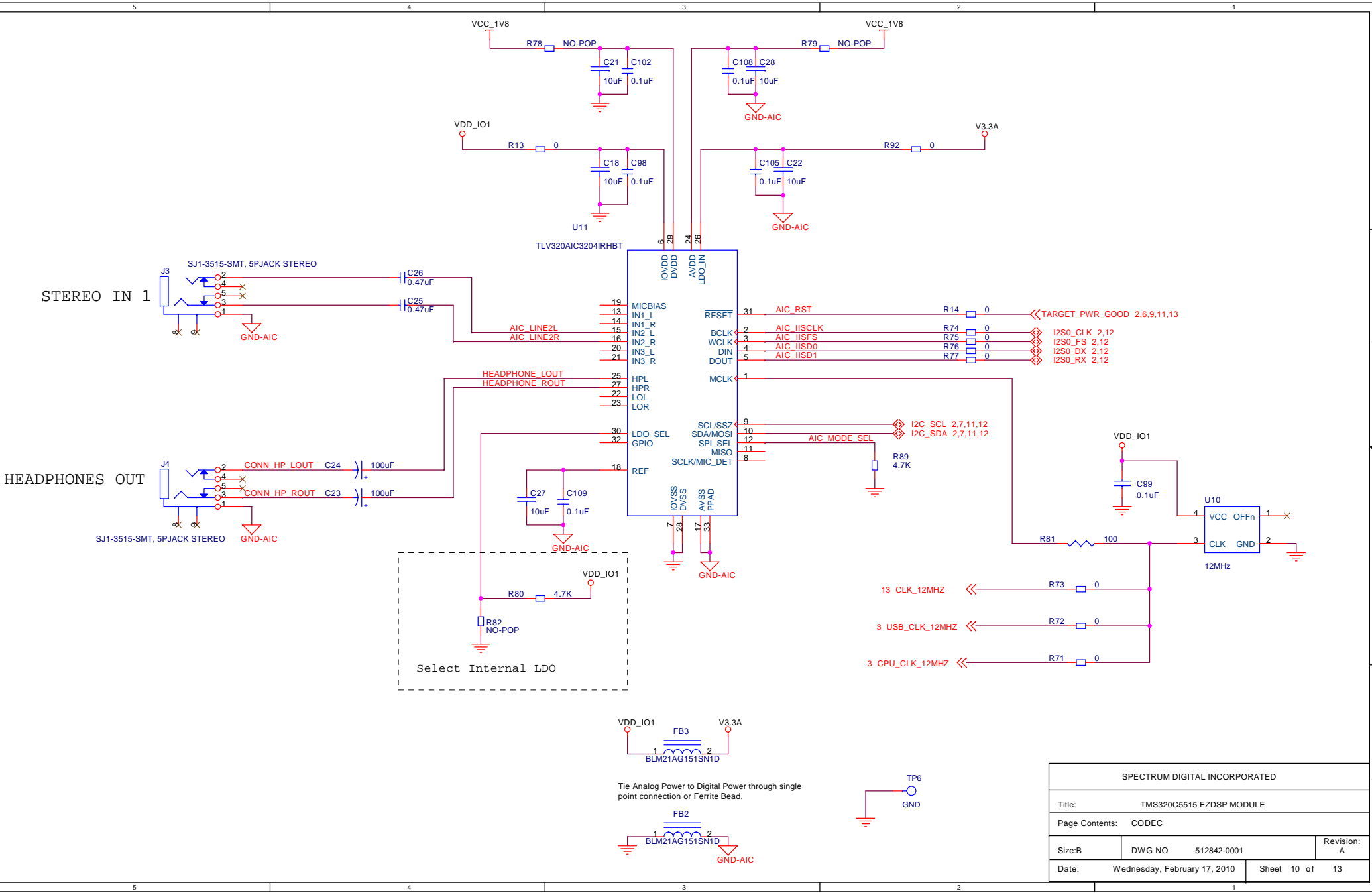
SPECTRUM DIGITAL INCORPORATED			
Title: TMS320C5515 EZDSP MODULE			
Page Contents: CC BOARD INTERFACE			
Size: B	DWG NO	512842-0001	Revision: A
Date:	Wednesday, February 17, 2010	Sheet 7 of	13



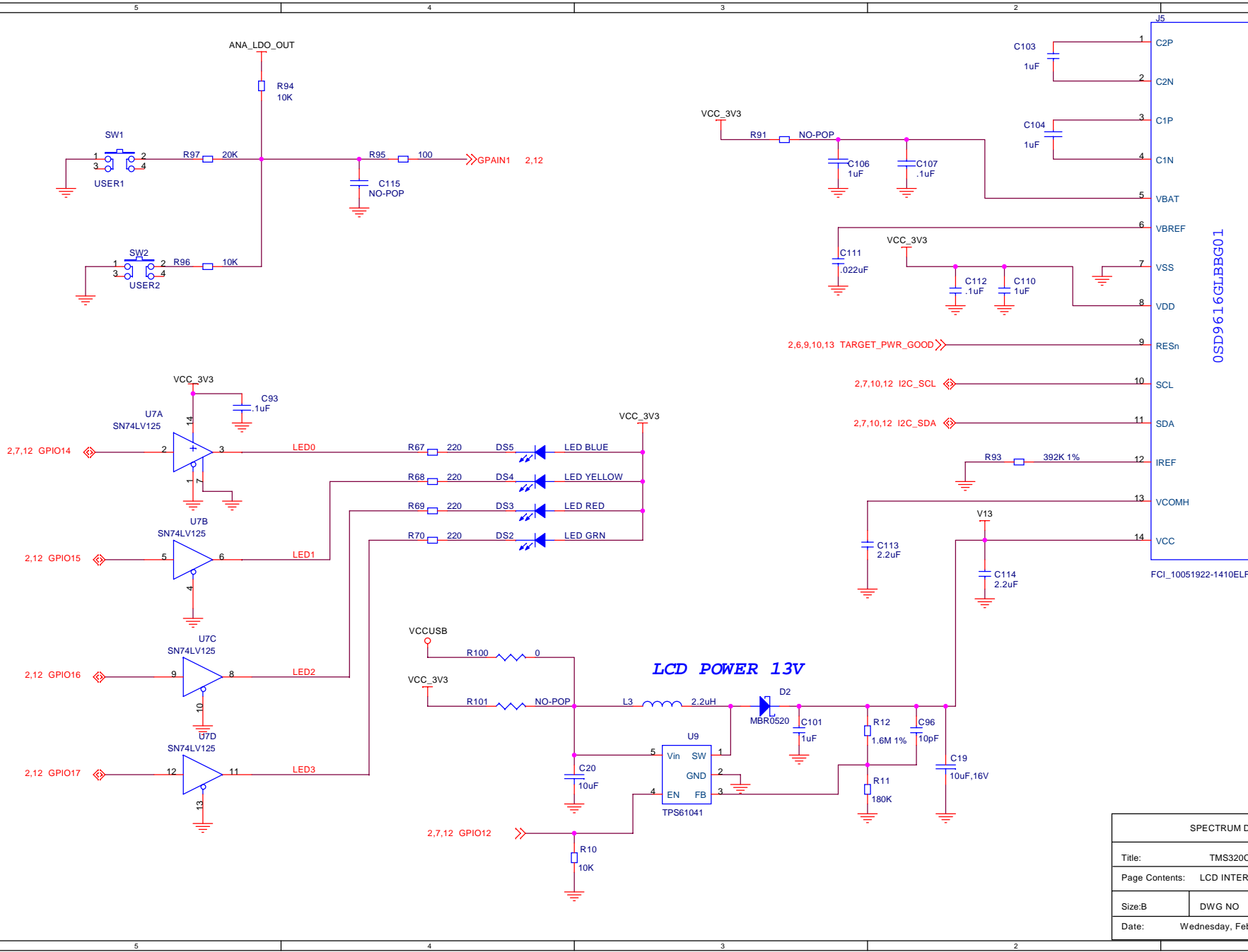
SPECTRUM DIGITAL INCORPORATED			
Title: TMS320C5515 EZDSP MODULE			
Page Contents: MMC/SD SOCKETS			
Size: B	DWG NO	512842-0001	Revision: A
Date:	Wednesday, February 17, 2010	Sheet 8 of	13



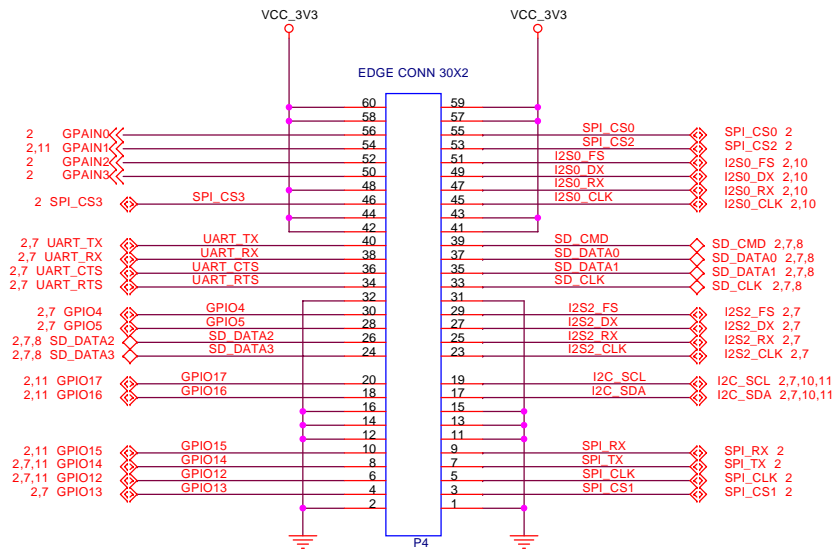
SPECTRUM DIGITAL INCORPORATED			
Title: TMS320C5515 EZDSP MODULE			
Page Contents: POWER MANAGEMENT			
Size: B	DWG NO	512842-0001	Revision: A
Date:	Wednesday, February 17, 2010	Sheet 9 of	13



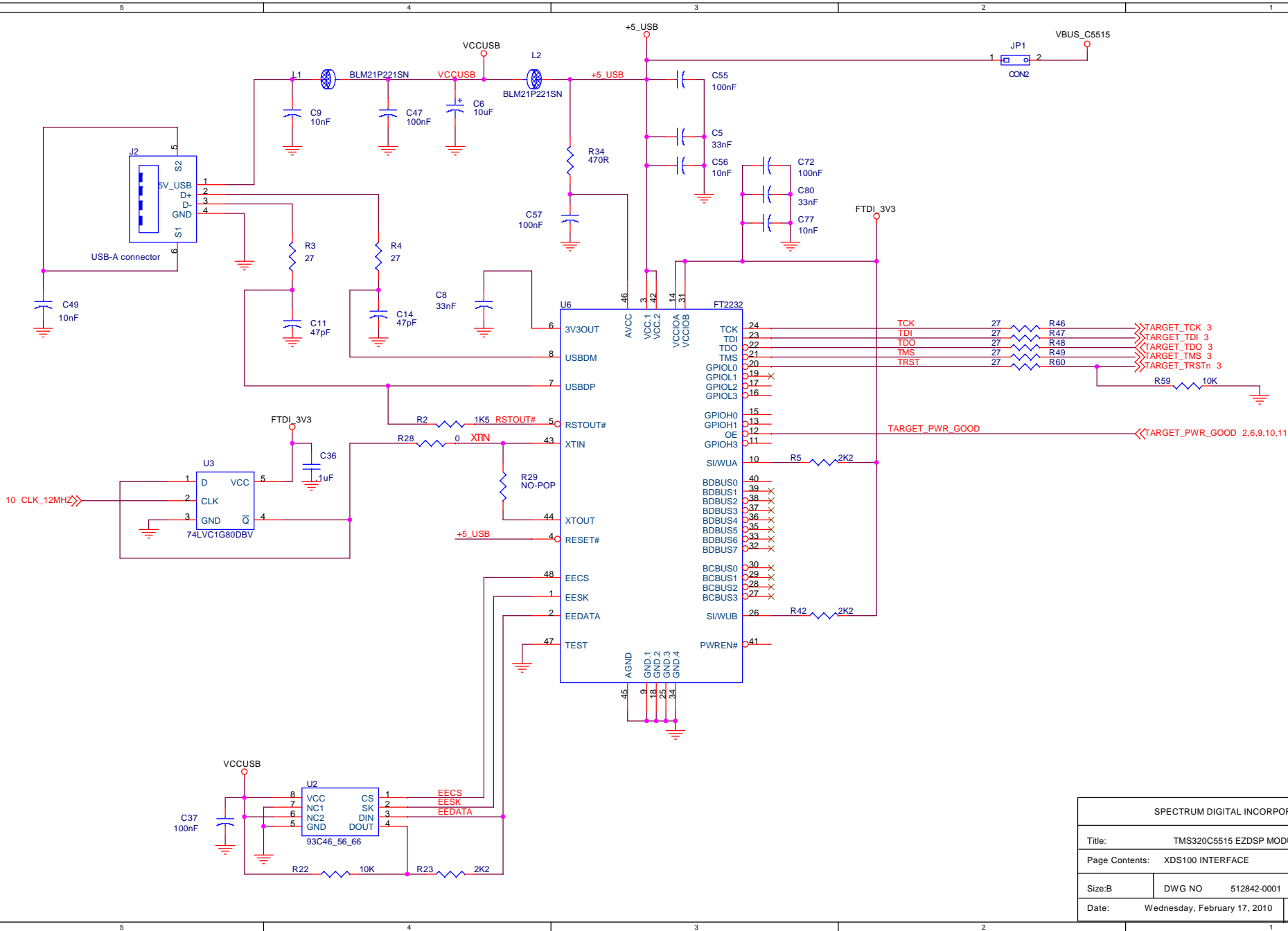
SPECTRUM DIGITAL INCORPORATED			
Title: TMS320C5515 EZDSP MODULE			
Page Contents: CODEC			
Size: B	DWG NO: 512842-0001	Revision: A	
Date: Wednesday, February 17, 2010	Sheet 10 of 13		



SPECTRUM DIGITAL INCORPORATED			
Title: TMS320C5515 EZDSP MODULE			
Page Contents: LCD INTERFACE			
Size: B	DWG NO: 512842-0001	Revision: A	
Date: Wednesday, February 17, 2010	Sheet 11 of 13		



SPECTRUM DIGITAL INCORPORATED			
Title: TMS320C5515 EZDSP MODULE			
Page Contents: EXPANSION CONNECTORS			
Size: B	DWG NO	512842-0001	Revision: A
Date:	Wednesday, February 17, 2010	Sheet 12 of	13



SPECTRUM DIGITAL INCORPORATED			
Title: TMS320C5515 EZDSP MODULE			
Page Contents: XDS100 INTERFACE			
Size: B	DWG NO	512842-0001	Revision: A
Date:	Wednesday, February 17, 2010	Sheet 13 of	13