

REVISION

3	JB	A SHROUT
2/16/2006 ECN-56251		
SHT 1: ADD "SECTION A-A" VIEW, ADD "ESD SENSITIVE" BLK, SHOW COMPONENTS POPULATED ON J2 PCB, REMOVE "J2" SUB VIEWS & BOM. REMOVE "AFTER LABELING CABLE INSERT PK-06..." NOTE, CHG NOTE FROM "SUB-HDR-119391-01" TO "CCS-124095-02-CS", CHG DIM FROM "15.3[387.8]" REF, CHG ".302[7.66]" DIM TO A "REF", ADD ".052[1.31]" REF DIM, SHT 1 - BOM: CHG ITEM 2 PART # FROM "SUB-HDR-119391-01" TO "CCS-124095-02-CS", REMOVE ITEM 6, CHG ITEM 5 PART # FROM "PK-06" TO "ASP-120823-01-C", ADD ITEMS 6, 7, & 8; SHT 1 - NOTES: ADD "CAUTION: J2 CONNECTOR POSITIONS....." TEXT TO NOTE 5, ADD "SUB-ASSEMBLIES" TEXT TO NOTE 8, UPDATE NOTE 9 TO "CCS-124095-01-MC" & "CCS-124095-02-MC", ADD NOTE 12; SHT 2 - TABLE 1: ADD ASTERICKS TO J2 POSITIONS "5", "9", & "11"; SHT 2: ADD "CAUTION: J2 CONNECTOR POSITIONS....." NOTE, RELEASE FOR LIMITED PRODUCTION.		

ECN APPROVAL FOR CURRENT REV IS PENDING

RELEASED FOR LIMITED PRODUCTION

USE FOR QUOTING, PRELIMINARY DESIGN, INITIAL BUILDS AND INFORMATIONAL PURPOSES ONLY

DATE: _____

COMPANY: _____

CUSTOMER SIGNATURE _____

PRINTED NAME _____

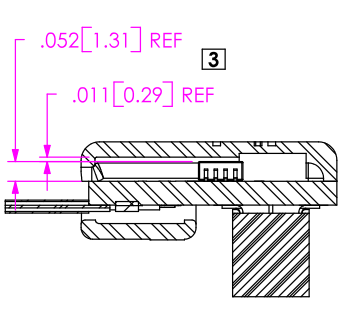
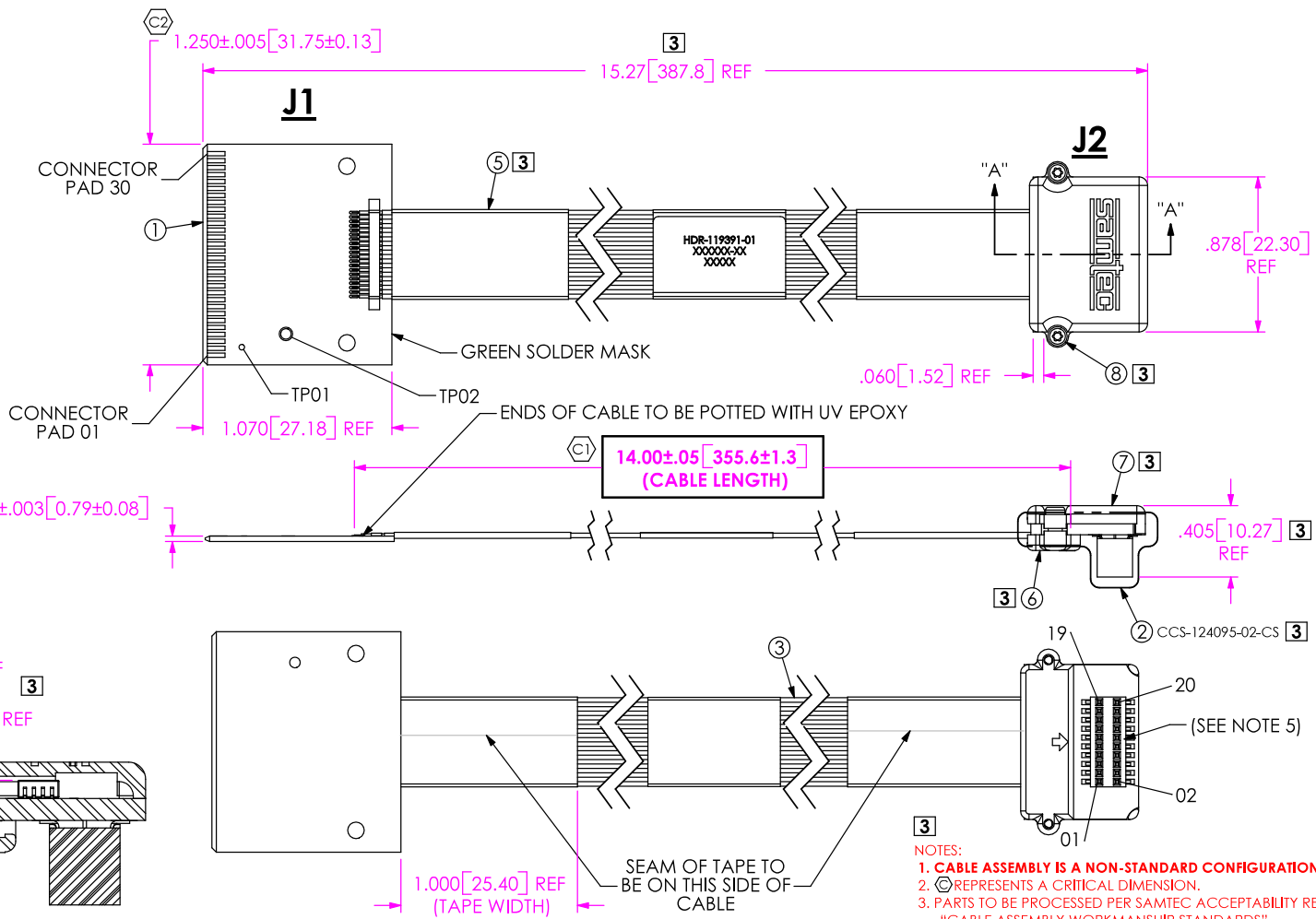
PHONE No: _____

FAXING: _____

ACCEPTANCE OF DRAWING

A ACCEPTED WITH DEVIATIONS LISTED

A ACCEPTED



SECTION "A-A"
SCALE 2:1

ESD SENSITIVE

THIS PRODUCT MANUFACTURED WITH LEAD-FREE PROCESSING

- NOTES:
- CABLE ASSEMBLY IS A NON-STANDARD CONFIGURATION**
 - ⊙ REPRESENTS A CRITICAL DIMENSION.
 - PARTS TO BE PROCESSED PER SAMTEC ACCEPTABILITY REQUIREMENTS: HDR-PH-01 "CABLE ASSEMBLY WORKMANSHIP STANDARDS".
 - ALL ASSEMBLIES TO BE 100% ELECTRICALLY TESTED FOR CONTINUITY & ISOLATION.
 - ALL ASSEMBLIES TO BE 100% HI-POT TESTED AT 300V. CAUTION: J2 CONNECTOR POSITIONS 5, 9, & 11 CANNOT BE HI-POT TESTED.
 - ITEM 4 TO BE CENTERED ON ITEM 3 AS SHOWN. ITEM 4 TO CONTAIN PART NUMBER, SHOP ORDER NUMBER, LINE NUMBER, AND DATE CODE.
 - ASSEMBLY REQUIRES 1 LENGTH OF RCC CABLE, EACH LENGTH TO BE 14.00[355.6].
 - FOR PROCESSING INFORMATION ON SUB-PCB'S & SUB-ASSEMBLIES, REFERENCE SUB-xxx TRAVELER.XLS.
 - PARTS TO BE PACKAGED IN STATIC DISSIPATION BAGS.
 - PANEL CCS-124095-01-MC YIELDS (36) CCS-124095-02-MC SUB-ASSEMBLIES. PANEL PCB-100333-HDR-XX YIELDS (10) PCB-100333-HDR-01 BOARDS.
 - ASSEMBLY REQUIRES 1 PIECE OF ASP-120823-01-C TAPE AT EACH END OF CABLE, WRAPPED AROUND SO IT IS FLUSH WITH PCB'S AS SHOWN.
 - TIGHTEN STS-01 FASTENERS TO 1.4-1.7 IN-LBS (2 PLCS).

HDR0119391-01 BOM				
ITEM NO.	PART NUMBER	DESCRIPTION	QUANTITY	MATERIAL
1	PCB-100333-HDR-01	PCB	1	PCB
2	CCS-124095-02-CS	SUB ASSEMBLY	1 (CUSTOMER SUPPLIED)	SUB ASSEMBLY
3	SUB-RCC-20-01-025-14.00	COAX CABLE	1 (SEE NOTE 7)	SUB ASSEMBLY
4	HDRL-11	LABEL	1	SELF LAMINATING VINYL B-427
5	ASP-120823-01-C	TAPE	2 (SEE NOTE 11)	
6	QCD-01-11	HOUSING	1	QUESTRA EA522, COLOR: BLACK
7	CCS-124210-01-MC	HOUSING	1	QUESTRA EA522, COLOR: BLACK
8	STS-01	FASTENER	2	LOW CARBON STEEL

TOLERANCES DO NOT APPLY TO REFERENCE DIMENSIONS, UNLESS OTHERWISE SPECIFIED, DIMENSIONS ARE IN INCHES.

TOLERANCES ARE:

DECIMALS ANGLES

XX: ±.01[.3] 2°

XXX: ±.005[.13]

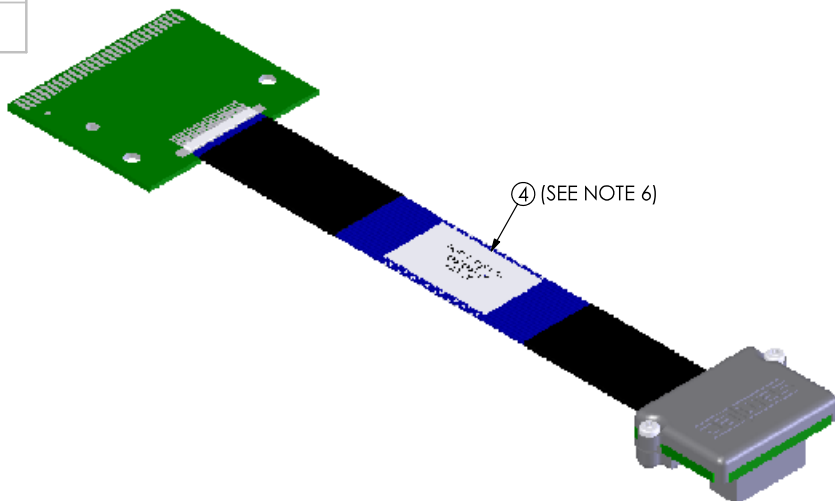
XXXX: ±.0020[.051]

PROPRIETARY NOTE

THIS DOCUMENT CONTAINS INFORMATION CONFIDENTIAL AND PROPRIETARY TO SAMTEC, INC. AND SHALL NOT BE REPRODUCED OR TRANSFERRED TO OTHER DOCUMENTS OR DISCLOSED TO OTHERS OR USED FOR ANY PURPOSE OTHER THAN THAT WHICH IT WAS OBTAINED WITHOUT THE EXPRESSED WRITTEN CONSENT OF SAMTEC, INC.

SAMTEC

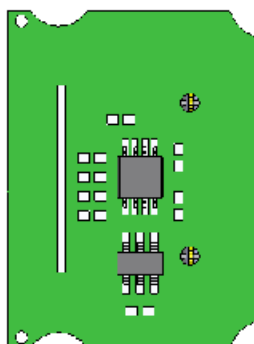
520 PARK EAST BLVD, NEW ALBANY, IN 47150
 * PHONE: 812.944.6733 FAX: 812.948.5047
 e-Mail: INFO@SAMTEC.COM CODE: 55322



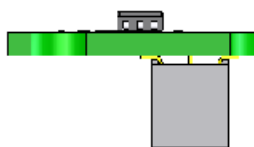
ESD SENSITIVE

*****DO NOT HANDLE UNLESS***
WEARING WRIST OR
ANKLE GROUND
STRAP**

J2
CCS-124095-02-CS



SINGULATED FROM
CCS-124095-01-CS
PANEL



**3 * CAUTION: J2 CONNECTOR POSITIONS
5, 9, & 11 CANNOT BE HI-POT TESTED**

3

TABLE 1			
SIGNAL MAPPING			
J1		COAX	J2
CONNECTOR PAD	TOUCH PROBE		
1	TP01	NO CONNECT	
2		NO CONNECT	
3	TP02	GROUND	6 (POLARIZED)
4	NO CONNECT	GROUND	NO CONNECT
5	TP01	NO CONNECT	
6	NO CONNECT	GROUND	NO CONNECT
7	NO CONNECT	GROUND	8
8	NO CONNECT	1	19
9		2	18
10		3	17
11		4	15
12	NO CONNECT	GROUND	10
13	NO CONNECT	5	14
14		6	13
15	NO CONNECT	GROUND	12
16	NO CONNECT	7	11 *
17		8	9 *
18		9	7
19	NO CONNECT	GROUND	16
20	NO CONNECT	10	4
21		11	5 *
22		12	3
23		13	1
24		14	2
25	NO CONNECT	GROUND	20
26	NO CONNECT		
27			
28			
29			
30			

PROPRIETARY NOTE

THIS DOCUMENT CONTAINS INFORMATION
CONFIDENTIAL AND PROPRIETARY TO
SAMTEC, INC. AND SHALL NOT BE REPRODUCED
OR TRANSFERRED TO OTHER DOCUMENTS OR
DISCLOSED TO OTHERS OR USED FOR ANY
PURPOSE OTHER THAN THAT WHICH IT WAS
OBTAINED WITHOUT THE EXPRESSED WRITTEN
CONSENT OF SAMTEC, INC.

SHEET SCALE: 1:1



SAMTEC

520 PARK EAST BLVD, NEW ALBANY, IN 47150
* PHONE: 812.944.6733 FAX: 812.948.5047
e-Mail: INFO@SAMTEC.COM CODE: 55322

DESCRIPTION: CUSTOM HDR CABLE ASSEMBLY

DWG. NO. HDR-119391-01

BY: J. BORGELT 5/12/05 SHEET 2 OF 2