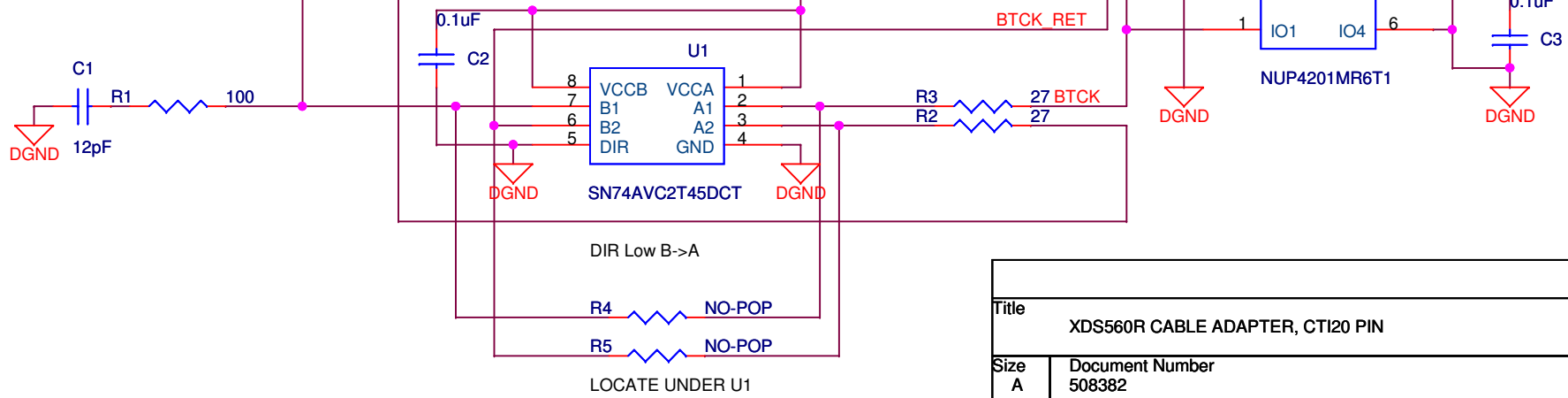
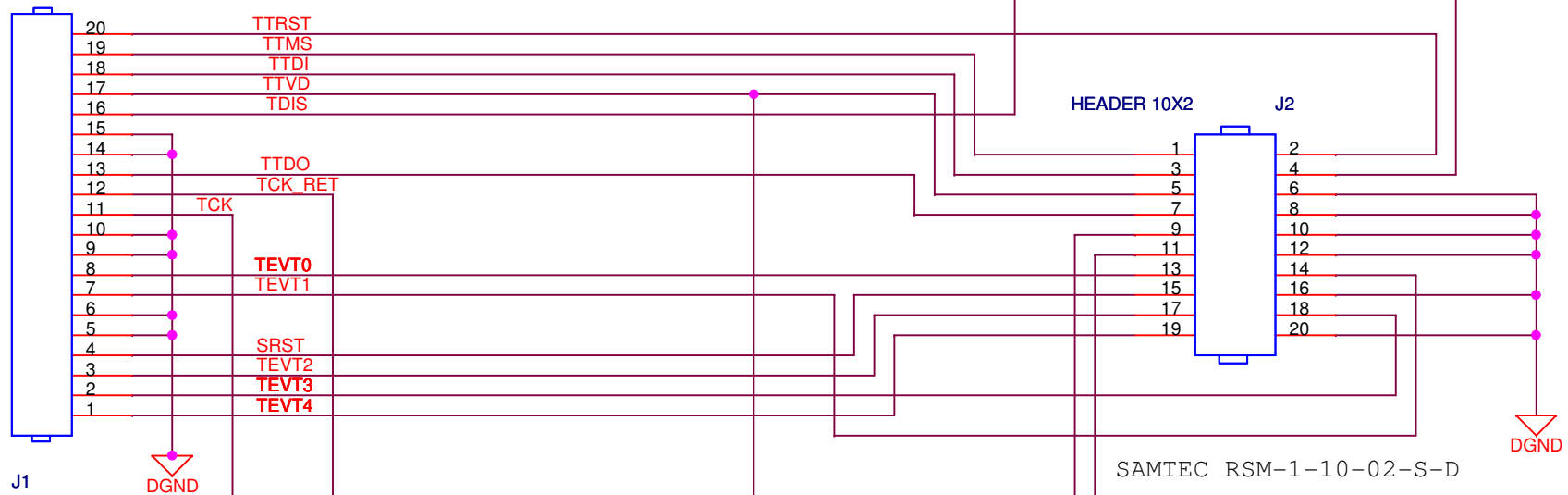


COAX-20



DIR Low B->A

R4 NO-POP

R5 NO-POP

LOCATE UNDER U1

Title		
XDS560R CABLE ADAPTER, CT120 PIN		
Size	Document Number	Rev
A	508382	A
Date:	Monday, February 06, 2006	Sheet 1 of 1