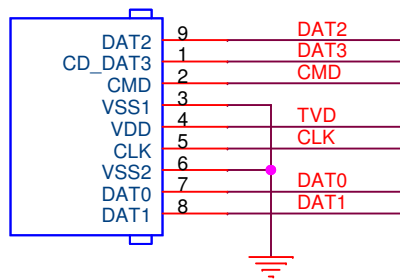
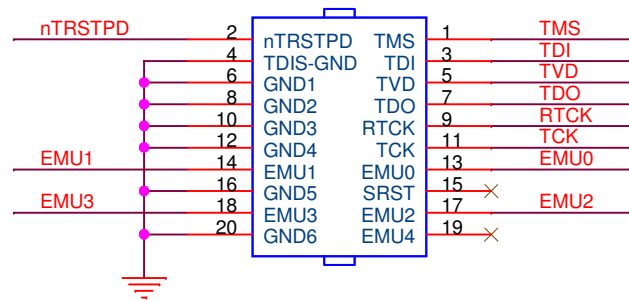


J1



SD

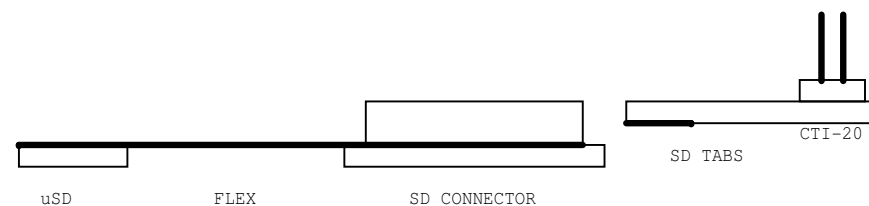
J2



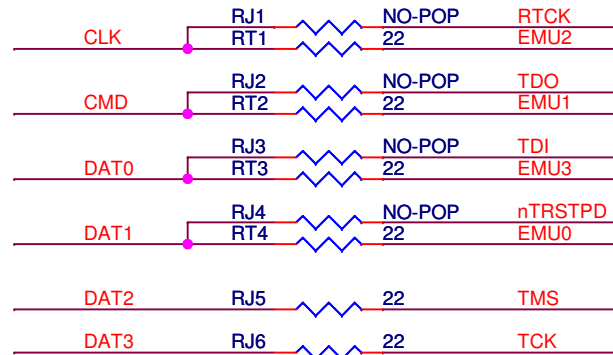
CTI-20

OFF SHELF FLEX SD-uSD

CUSTOM SD-CTI-20



SD PIN	LEGACY	CJTAG+TRACE
CLK	RTCK	TRC_CLK
CMD	TDO	TRC_DAT[2]
DAT0	TDI	TRC_DAT[0]
DAT1	RST	TRC_DAT[1]
DAT2	TMS	TMSC
DAT3	TCK	TCKC



CJTAG+TRACE RT1-RT4 + J5 + J6 (DEFAULT)

LEGACY RJ1-RJ6

REF: CURRENT MIPI-60 TO CTI-20 MAPPING

TRD0.1	EMU0
TRD0.2	EMU1
TRCLK0	EMU2
TRD0.0	EMU3
TRD0.3	EMU4

SPECTRUM DIGITAL			
Title: CABLE ADAPTER CTI-20 TO SD			
Page Contents: CTI-20-SD			
Size:A	DWG NO	514602	Revision: A
Date: Tuesday, January 18, 2011			Sheet 1 of 1