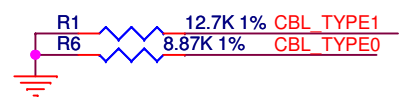
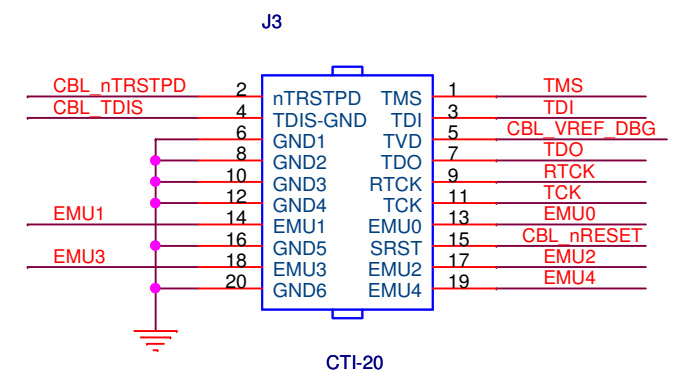
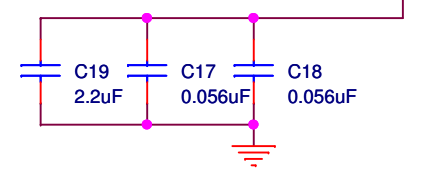
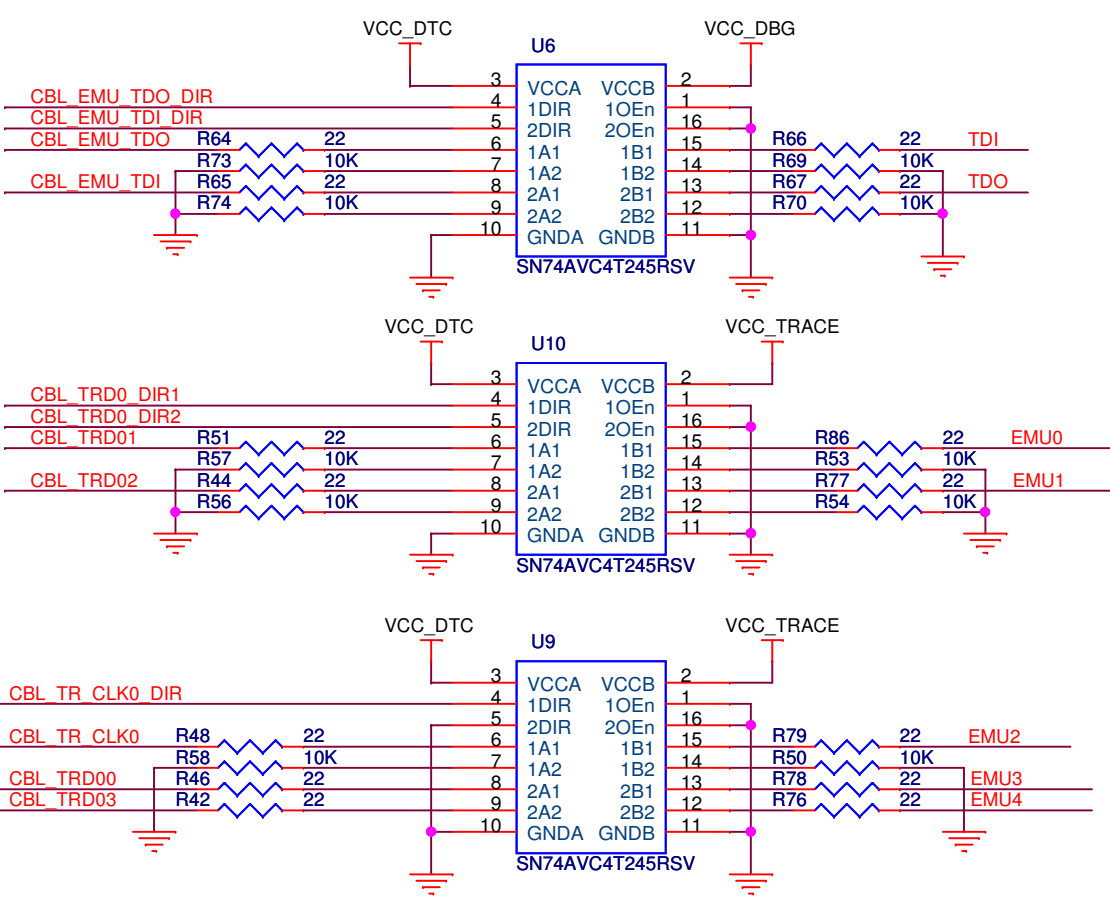
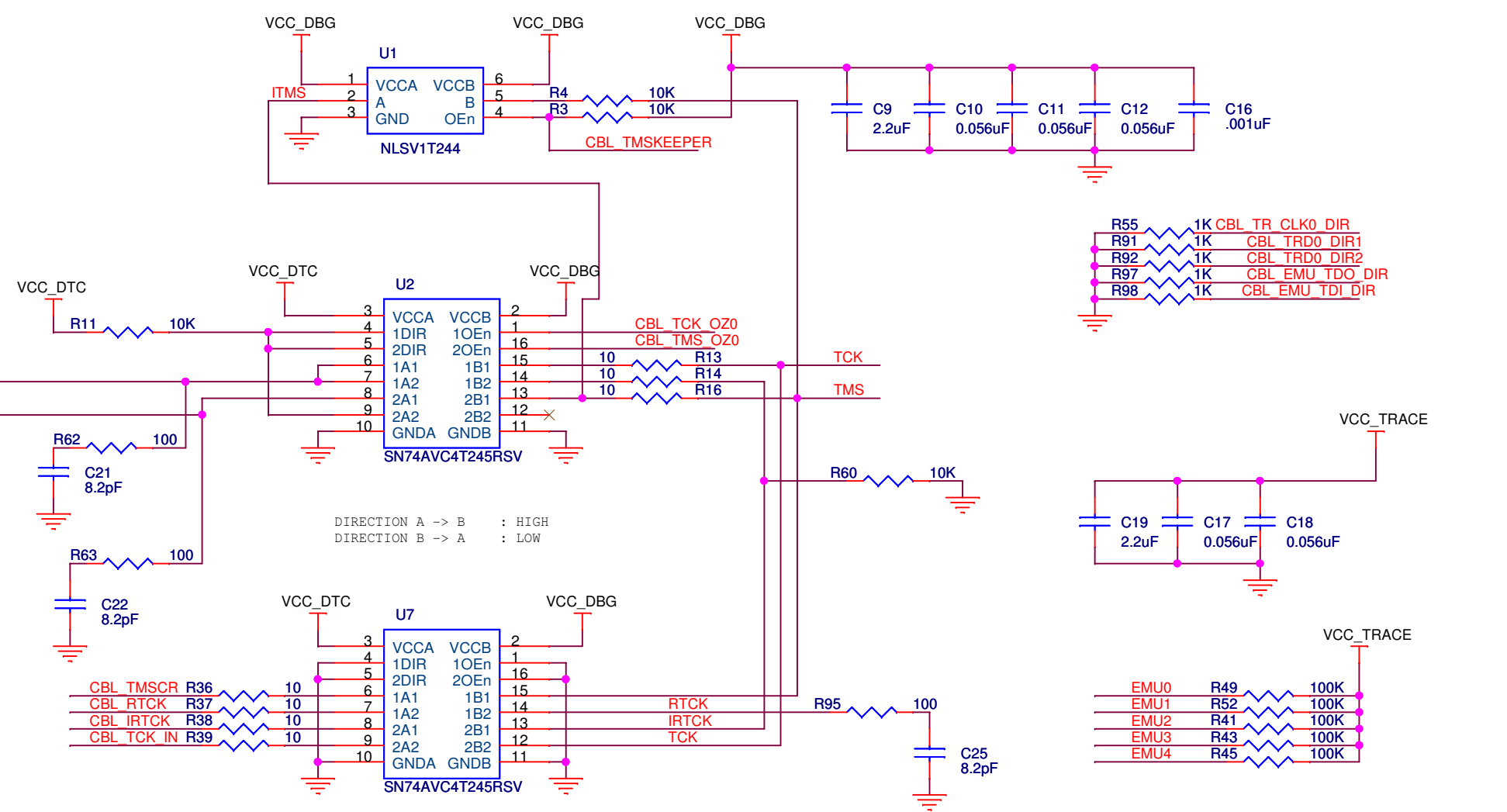
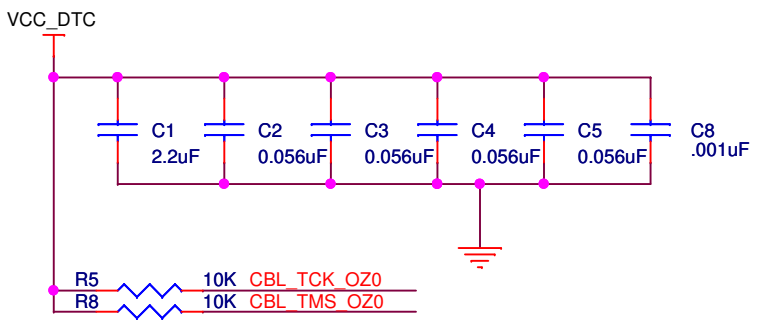


CABLE_TYPE1 = 1.40V, CABLE_TYPE0 = 0V FOR MIPI60

$$R_x = 10K / ((2.5/V_x) - 1)$$



VCC_CTYPE == VCC_DTC



MAP MIPI-NAMES TO TI NAMES

REF: CURRENT MIPI-60 TO CTI-20 MAPPING

TRD0.1	EMU0
TRD0.2	EMU1
TRCLK0	EMU2
TRD0.0	EMU3
TRD0.3	EMU4

Spectrum Digital Inc			
Title: XDS560v2 CTI-20			
Page Contents: CTI-20			
Size: B	DWG NO	514762	Revision: A
Date: Wednesday, March 09, 2011		Sheet 1 of 1	