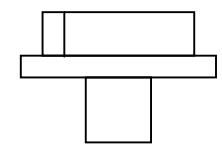
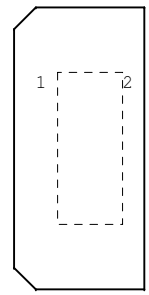
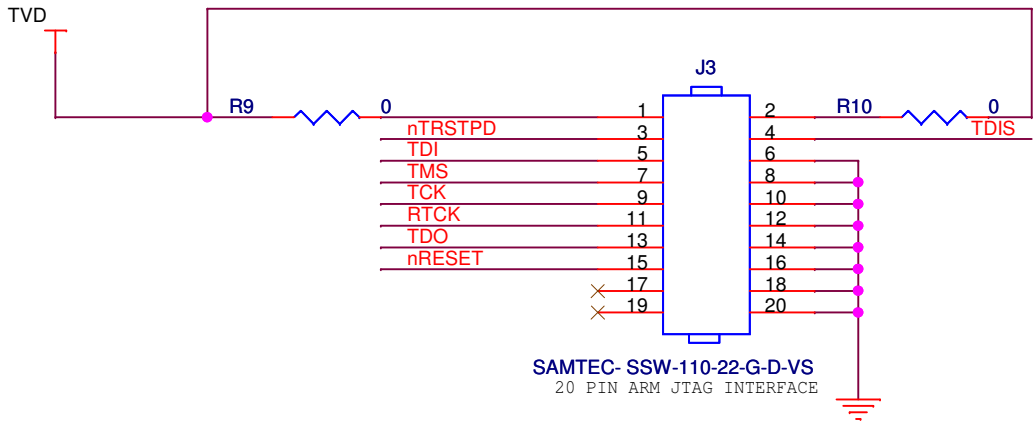


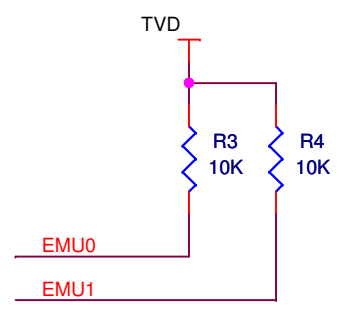
CONNECT VREF_TR TO VREF_DBG.



QTS-0030 TOP
ARM-20 BOTTOM

MAP MIPI-NAMES TO TI NAMES

VREF_DBG	TVD
VREF_TR	TDIS
TGT_DETECT	
TRD0.1	EMU0
TRD0.2	EMU1



SPECTRUM DIGITAL			
Title: CABLE ADAPTER MIPI60-ARM20			
Page Contents: MIPI-60-ARM20			
Size: A	DWG NO	512502	Revision: A
Date: Monday, July 27, 2009			Sheet 1 of 1