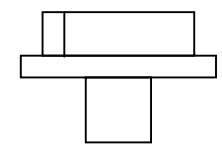
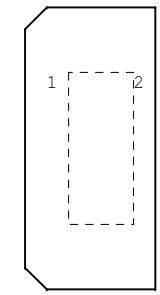
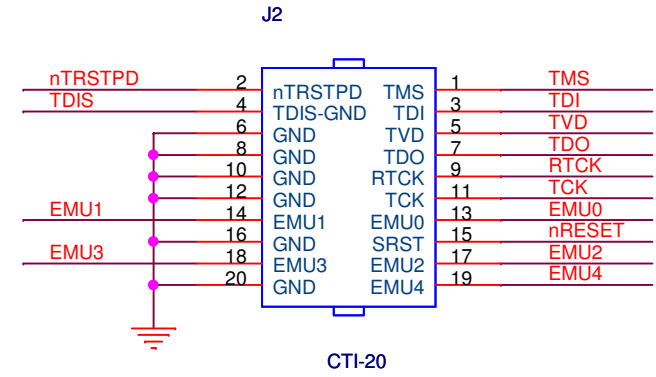


CONNECT VREF_TR TO VREF_DBG.



QTS-0030 TOP
CTI-20 BOTTOM

MAP MIPI-NAMES TO TI NAMES

VREF_DBG	TVD
VREF_TR	TDIS
TGT_DETECT	
TRD0.1	EMU0
TRD0.2	EMU1
TRCLK0	EMU2
TRD0.0	EMU3
TRD0.3	EMU4

SPECTRUM DIGITAL			
Title: CABLE ADAPTER MIPI60-CTI20			
Page Contents: MIPI-60-CTI20			
Size:A	DWG NO	510862	Revision: B
Date: Monday, July 27, 2009			Sheet 1 of 1