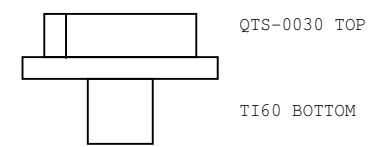
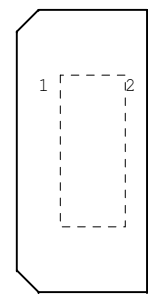
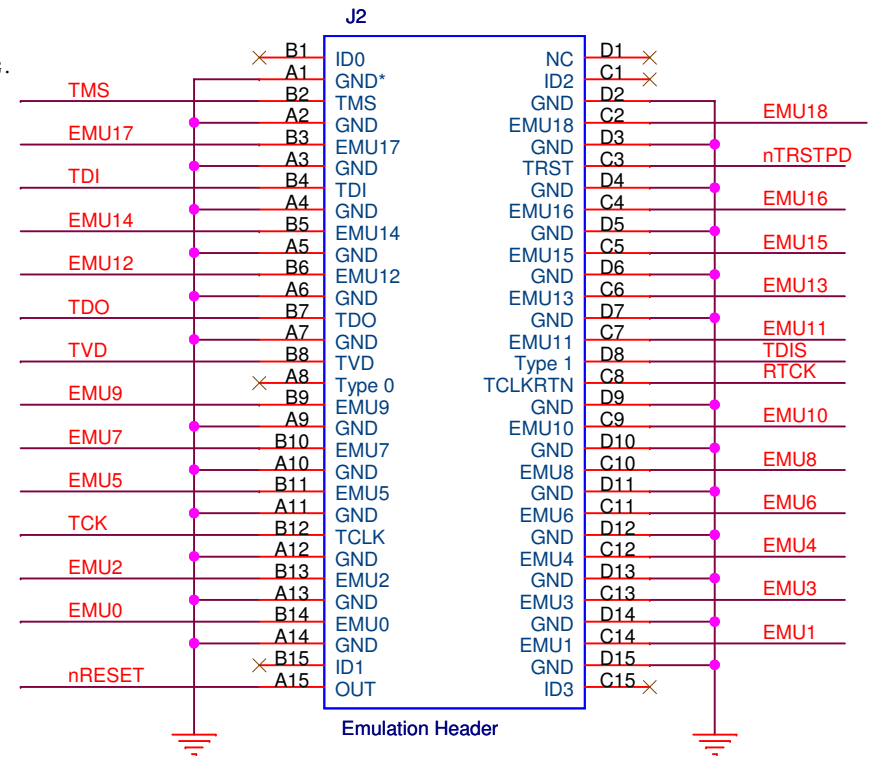


CONNECT VREF_TR TO VREF_DBG.

MAP MIPI-NAMES TO TI NAMES



TRD0.1	EMU0
TRD0.2	EMU1
TRCLK0	EMU2
TRD0.0	EMU3
TRD0.3	EMU4
TRD0.4	EMU5
TRD0.5	EMU6
TRD0.6	EMU7
TRD0.7	EMU8
TRD0.8	EMU9
TRD0.9	EMU10
TRD3.0	EMU11
TRD3.1	EMU12
TRD3.2	EMU13
TRD3.3	EMU14
TRD3.4	EMU15
TRD3.5	EMU16
TRD3.6	EMU17
TRD3.7	EMU18



SPECTRUM DIGITAL			
Title: CABLE ADAPTER MIPI60-TI60			
Page Contents: MIPI-60-TI60			
Size: A	DWG NO	512482	Revision: B
Date: Friday, September 04, 2009			Sheet 1 of 1